

**DESCRIPTION**

Solenoid valve in line normally closed direct acting poppet type.

**CONSTRUCTION**

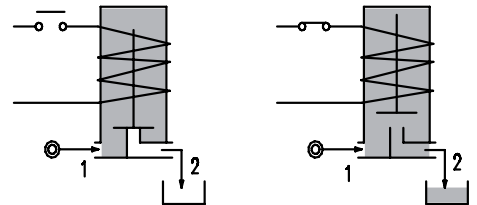
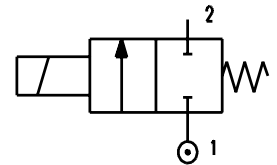
Body/Armature tube	Stainless steel
Plunger and core	Stainless steel
Springs	Stainless steel
Seal material	NBR - FPM - EPDM



**FEATURES**

Maximum allowable pressure 80bar  
 Maximum fluid viscosity 25cSt (mm<sup>2</sup>/s)  
 Ambient temperature: with class F coil -10°C +55°C  
 with class H coil -10°C +80°C  
 Universal mounting position

**OPTIONS:** Mounting bracket  
 Version for use with oxygen  
 Special coil powers  
 cULus certified coils



2

CONFIGURATIONS			
G1/8"MALE - Push-on for pipes Ø6x4 NW	G1/8"MALE - G1/8"FEMALE NA	G1/8"FEMALE - Push-on for pipes Ø6x4 AW	G1/8"FEMALE - G1/8"FEMALE AA

CODE ① ② ③	Orifice mm	Kv m <sup>3</sup> /h	Differential pressure bar			Electrical data		Coil		Seal ②	Temperature range °C
			Min	Max		Voltage (V)	Power	Series	Width		
D130.....10/...	1	0.03	0	-	8.5	12-24V DC	2 W	3	22	NBR=B	-10 +90
D130.....12/...	1.2	0.04	0	-	6						
D130.....15/...	1.5	0.06	0	-	4						
E130.....10/...	1	0.03	0	50	-	230V 50/60Hz	3.5 VA	3	22	FPM=V	-10 +140
E130.....12/...	1.2	0.04	0	40	-						
E130.....15/...	1.5	0.06	0	25	-						
E130.....10/...	1	0.03	0	50	50	All standard voltages	6.5W or 8VA	3	22	EPDM=E	-10 +140
E130.....12/...	1.2	0.04	0	50	50						
E130.....15/...	1.5	0.06	0	50	50						

- ① Configurations Example: E130NWB10///301 - G1/8" male - Push-on connections
- ② Seal NBR seals - 24V DC 6.5W
- ③ Coil

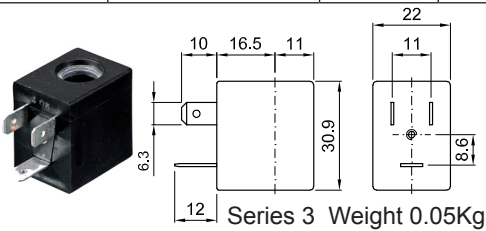
COILS	Alternating Current 50/60Hz (Volt)							Direct Current (Volt)			Electrical connection	Connectors
	12	24	48	110	220 230	240	380	12	24	48		
Series 3 Width 22 6.5W or 8VA CODE ③	30A	30B U35B <small>c RL US</small>	30C	30D U35D <small>c RL US</small>	30E	30F U35F <small>c RL US</small>	30G	300 <small>c RL US</small>	301 <small>c RL US</small>	302	DIN 46244	PG9 CODE 10348000

**DESCRIPTION**  
 Class F insulation  
 Voltage tolerance  
 AC +15% -10%  
 DC ± 10%  
 Protection class  
 IP65 with connector fitted  
 IP00 without connector  
 Continuous service ED100%

COILS	Alternating Current 50/60Hz (Volt)	Direct Current (Volt)		Electrical connection	Connectors
	220-230	12	24		
Series 3 Width 22 2W or 3.5VA CODE ③	30E1P	300120	301120	DIN 46244	PG9 CODE 10348000

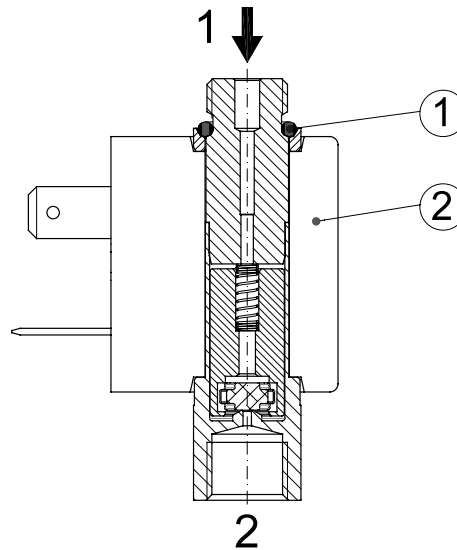
**OPTIONS**  
 Class H insulation  
 Cable attached  
 Special coil voltage  
 Special coil powers  
c RL US certified coils

**FOR COIL SPECIFICATION  
 SEE SECTION 8**



### SPARE PARTS LIST

1. OR
2. Coil



### OVERALL DIMENSIONS

