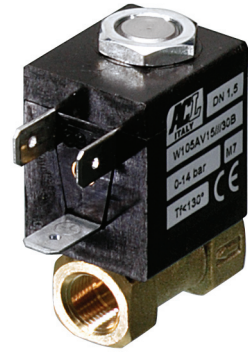


DESCRIPTION

Solenoid valve 2 way normally closed
direct acting poppet type

CONSTRUCTION

Body	Brass
Armature tube	Brass
Plunger and core	Stainless steel
Springs	Stainless steel
Seal material	FPM

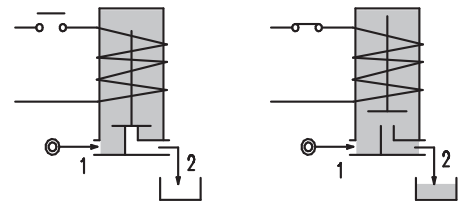
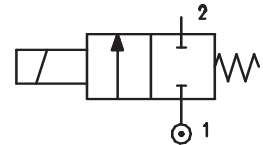


2

FEATURES

Maximum allowable pressure 50 bar *
Maximum fluid viscosity 25cSt (mm²/s)
Ambient temperature: with class F coil -10°C +55°C

Universal mounting position

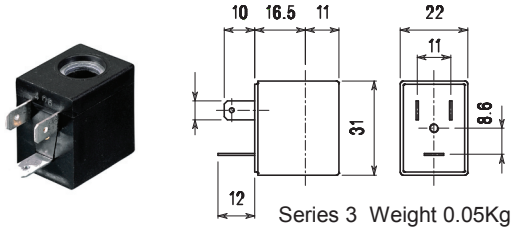


CODE	Connection G ISO 228	Orifice mm	KV m ³ /h	Differential pressure bar		Nominal power		Coil		Seal	Temp. range °C
				Min	Max AC	AC Inrush	VA Holding	Series	Width		
W105AV15///12400	1/8"	1.5	0.06	0	14	5,5	3,5	3	22	FPM=V	-10 +130

* REMARK: The maximum allowable pressure PS for steam is 2,5bar (gauge pressure)

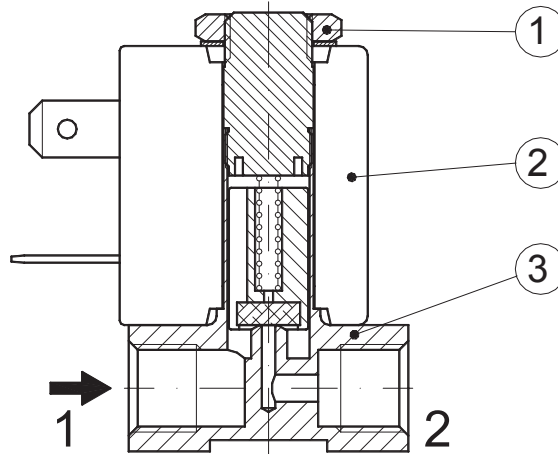
COIL	Alternating Current 230V 50/60Hz	Electrical connection	Connectors
Series 3 Width 22	1240000A	DIN 46244	PG9 code 10348000

DESCRIPTION
 Class F insulation
 Voltage tolerance
 AC +15% -10%
 Protection class
 IP65 with connector mounted
 IP00 without connector
 Continuous service ED100%

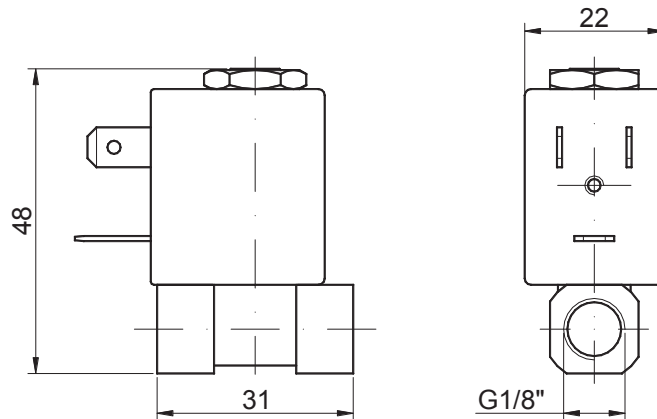


SPARE PARTS LIST

1. Coil fixing nut
2. Coil
3. Valve



OVERALL DIMENSION



Weight = 0.09 Kg