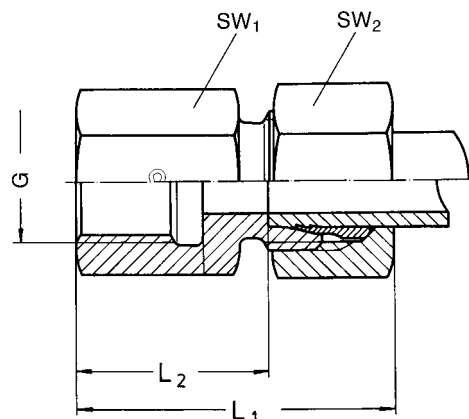


Przyłączka prosta
Gwint wewnętrzny stalowy BSPP



| Seria DIN 2353 | PN bar | Rura śr. zewn G | DIN-ISO 228-1 gwint wewn. G | SW ₂ | SW ₁ | L ₁ | L ₂ | Kod | kg/100szt |
|----------------------|-----------|-----------------------|-----------------------------------|-----------------|-----------------|----------------|----------------|-----------------|-----------|
| L | 315 | 6 | G 1/8 | 14 | 14 | 34 | 19,0 | GAI 6-LR 1/8 | 2,7 |
| | | 6 | G 1/4 | 14 | 19 | 39 | 24,0 | GAI 6-LR 1/4 | *) |
| | | 8 | G 1/4 | 17 | 19 | 39 | 24,0 | GAI 8-LR 1/4 | 5,0 |
| | | 10 | G 1/4 | 19 | 19 | 40 | 25,0 | GAI 10-LR 1/4 | 6,0 |
| | | 12 | G 3/8 | 22 | 24 | 41 | 26,0 | GAI 12-LR 3/8 | 8,8 |
| | | 12 | G 1/2 | 22 | 27 | 46 | 31,0 | GAI 12-LR 1/2 | *) |
| | | 15 | G 3/8 | 27 | 24 | 42 | 27,0 | GAI 15-LR 3/8 | *) |
| | | 15 | G 1/2 | 27 | 27 | 46 | 31,0 | GAI 15-LR 1/2 | 11,3 |
| | | 18 | G 3/8 | 32 | 27 | 44 | 27,5 | GAI 18-LR 3/8 | *) |
| | | 18 | G 1/2 | 32 | 27 | 47 | 30,5 | GAI 18-LR 3/4 | 15,1 |
| | 160 | 22 | G 3/4 | 36 | 36 | 52 | 35,5 | GAI 22-LR 3/4 | 27,0 |
| | | 28 | G 1 | 41 | 41 | 55 | 38,0 | GAI 28-LR 1 | 31,1 |
| | | 35 | G 1 1/4 | 50 | 55 | 63 | 41,0 | GAI 35-LR 1 1/4 | 58,8 |
| | | 42 | G 1 1/2 | 60 | 60 | 65 | 42,5 | GAI 42-LR 1 1/2 | 76,0 |
| S | 630 | 6 | G 1/8 | 17 | 17 | 36 | 21,0 | GAI 6-SR 1/8 | *) |
| | | 6 | G 1/4 | 17 | 19 | 41 | 26,0 | GAI 6-SR 1/4 | 4,9 |
| | | 8 | G 1/4 | 19 | 19 | 41 | 26,0 | GAI 8-SR 1/4 | 5,9 |
| | | 10 | G 3/8 | 22 | 24 | 43 | 26,5 | GAI 10-SR 3/8 | 10,0 |
| | | 12 | G 1/4 | 24 | 22 | 43 | 21,5 | GAI 12-SR 1/4 | *) |
| | | 12 | G 3/8 | 24 | 24 | 43 | 26,5 | GAI 12-SR 3/8 | 11,2 |
| | | 12 | G 1/2 | 24 | 27 | 47 | 30,5 | GAI 12-SR 1/2 | *) |
| | | 14 | G 1/2 | 27 | 27 | 50 | 32,0 | GAI 14-SR 1/2 | 14,8 |
| | 400 | 16 | G 1/2 | 30 | 27 | 50 | 31,5 | GAI 16-SR 1/2 | 17,5 |
| | | 20 | G 3/8 | 36 | 32 | 49 | 27,5 | GAI 20-SR 3/8 | 24,5 |
| | | 20 | G 1/2 | 36 | 32 | 52 | 30,5 | GAI 20-SR 1/2 | 24,8 |
| | | 20 | G 3/4 | 36 | 36 | 56 | 34,5 | GAI 20-SR 3/4 | 30,0 |
| | | 25 | G 1 | 46 | 41 | 62 | 37,5 | GAI 25-SR 1 | 46,6 |
| | 315 | 30 | G 1 1/4 | 50 | 55 | 69 | 42,0 | GAI 30-SR 1 1/4 | 71,9 |
| | | 38 | G 1 1/2 | 60 | 60 | 74 | 43,5 | GAI 38-SR 1 1/2 | 89,0 |

Wymiary są podane w przybliżeniu w zależności od stopnia dokręcenia nakrętek
* Na zapytanie