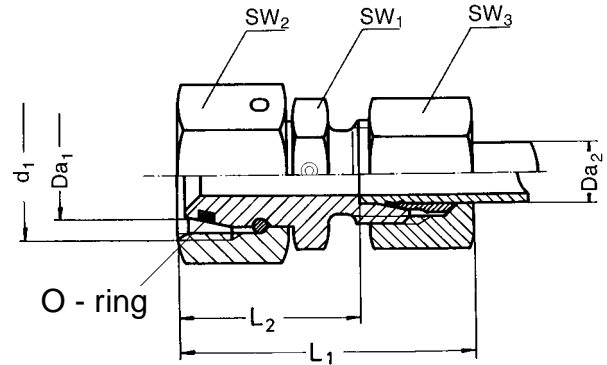


**Przyłączka redukcyjna serii L (lekka )  
ze stożkiem**

# CE S RED-L

**Przyłączka redukcyjna**  
ze stożkiem i o-ringiem wg. DIN 3865  
Seria L - lekka



Seria	PN bar	Rura		d <sub>1</sub>	L <sub>1</sub>	L <sub>2</sub>	SW <sub>1</sub>	SW <sub>2</sub>	o-ring SW <sub>3</sub>	o-ring	Kod.	kg/100szt
		śr. zewn. Da <sub>1</sub>	Da <sub>2</sub>									
L	315	8	6	M 14x1,5	38	23,5	12	17	14	6 x1,5	RED 8/ 6-L	3,9
		10	6	M 16x1,5	40	25,0	14	19	14	7,5x1,5	RED 10/ 6-L	4,9
			8		40	25,0			17		RED 10/ 8-L	5,3
		12	6	M 18x1,5	40	25,0	17	22	14	9 x1,5	RED 12/ 6-L	6,3
			8		40	25,0			17		RED 12/ 8-L	6,8
			10		41	26,0			19		RED 12/10-L	7,0
		15	6	M 22x1,5	43	28,5	22	27	14	12 x2	RED 15/ 6-L	5,5
			8		43	28,5			17		RED 15/ 8-L	9,8
			10		44	29,5			19		RED 15/10-L	10,7
	12			44	29,5			22		RED 15/12-L	11,0	
	18	6	M 26x1,5	43	28,0	24	32	14	15 x2	RED 18/ 6-L	11,9	
		8		43	28,0			17		RED 18/ 8-L	12,4	
		10		44	29,0			19		RED 18/10-L	12,8	
		12		44	29,0			22		RED 18/12-L	17,2	
		15		45	30,0			27		RED 18/15-L	19,0	
	160	22	6	M 30x2	47	32,0	27	36	14	20 x2	RED 22/ 6-L	16,9
			8		47	32,0			17		RED 22/ 8-L	17,6
			10		48	33,0			19		RED 22/10-L	17,8
12				48	33,0			22		RED 22/12-L	18,6	
15				49	34,0			27		RED 22/15-L	20,8	
18				50	33,5			32		RED 22/18-L	24,4	
28		6	M 36x2	49	34,0	36	41	14	26 x2	RED 28/ 6-L	29,3	
		8		49	34,0			17		RED 28/ 8-L	29,3	
		10		50	34,0			19		RED 28/10-L	29,3	
		12		50	34,0			22		RED 28/12-L	29,3	
		15		49	51,0			27		RED 28/15-L	29,3	
		18		49	52,0			32		RED 28/18-L	29,3	
35		6	M 45x2	52	37,0	46	50	14	32 x2,5	RED 35/ 6-L	(33,2)	
		8		52	37,0			17		RED 35/ 8-L	(33,7)	
		10		53	38,0			19		RED 35/10-L	(34,2)	
	12		53	38,0			22		RED 35/12-L	(35,3)		
	15		54	39,0			27		RED 35/15-L	37,1		
	18		55	38,5			32		RED 35/18-L	39,1		
	22		57	40,5			36		RED 35/22-L	41,6		
28		57	40,5			41		RED 35/28-L	42,6			
42	6	M 52x2	55	40,5	50	60	14	38 x2,5	RED 42/ 6-L	(51,2)		
	8		55	40,5			17		RED 42/ 8-L	(51,8)		
	10		56	41,5			19		RED 42/10-L	(52,3)		
	12		56	41,5			22		RED 42/12-L	(53,4)		
	15		58	42,5			27		RED 42/15-L	(55,1)		
	18		58	42,0			32		RED 42/18-L	60,7		
	22		60	44,0			36		RED 42/22-L	66,5		
	28		61	44,0			41		RED 42/28-L	68,0		
	35		65	43,0			50		RED 42/35-L	69,5		

Wymiary są podane w przybliżeniu w zależności od stopnia dokręcenia nakrętek