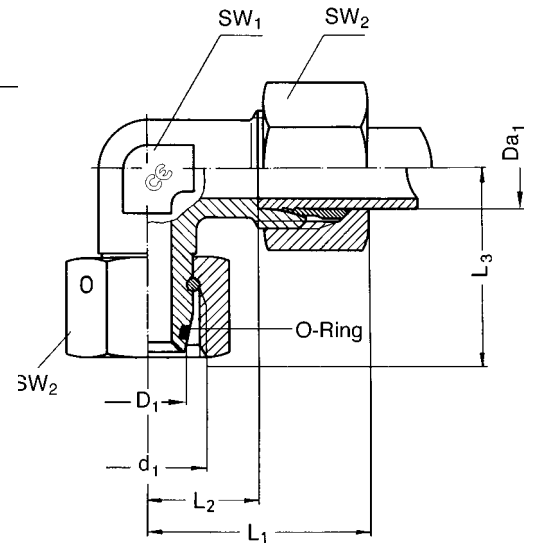


**Przyłączka kolankowa nastawna
z nakrętką i stożkiem**

CE S EW

**Przyłączka kolankowa nastawna
z nakrętką i stożkiem z o-ringiem
wg DIN 3865**



| Seria | PN bar | Rura śr. zewn. | | L ₁ | L ₂ | L ₃ | SW ₂ | SW ₁ | D ₁ | o-ring | Kod | kg/100szt |
|-------|-----------|-------------------|----------------|----------------|----------------|----------------|-----------------|-----------------|----------------|----------|---------|-----------|
| | | Da ₁ | d ₁ | | | | | | | | | |
| L | 315 | 6 | M 12x1,5 | 27 | 12,0 | 26,0 | 14 | 12 | 6 | 4,0x1,5 | EW 6-L | 4,0 |
| | | 8 | M 14x1,5 | 29 | 14,0 | 27,5 | 17 | 12 | 8 | 6,0x1,5 | EW 8-L | 5,5 |
| | | 10 | M 16x1,5 | 30 | 15,0 | 29,0 | 19 | 14 | 10 | 7,5x1,5 | EW 10-L | 7,1 |
| | | 12 | M 18x1,5 | 32 | 17,0 | 29,5 | 22 | 17 | 12 | 9,0x1,5 | EW 12-L | 9,6 |
| | | 15 | M 22x1,5 | 36 | 21,0 | 32,5 | 27 | 19 | 15 | 12,0x2,0 | EW 15-L | 16,6 |
| | 18 | M 26x1,5 | 40 | 23,5 | 35,5 | 32 | 24 | 18 | 15,0x2,0 | EW 18-L | 23,6 | |
| | 160 | 22 | M 30x2 | 44 | 27,5 | 38,5 | 36 | 27 | 22 | 20,0x2,0 | EW 22-L | 32,7 |
| | | 28 | M 36x2 | 47 | 30,5 | 41,5 | 41 | 36 | 28 | 26,0x2,0 | EW 28-L | 52,4 |
| | | 35 | M 45x2 | 56 | 34,5 | 51,0 | 50 | 41 | 35 | 32,0x2,5 | EW 35-L | 68,8 |
| 42 | | M 52x2 | 63 | 40,0 | 56,0 | 50 | 50 | 42 | 38,0x2,5 | EW 42-L | 108,0 | |
| S | 630 | 6 | M 14x1,5 | 31 | 16,0 | 27,0 | 17 | 12 | 6 | 4,0x1,5 | EW 6-S | 6,2 |
| | | 8 | M 16x1,5 | 32 | 17,0 | 27,5 | 19 | 14 | 8 | 6,0x1,5 | EW 8-S | 7,4 |
| | | 10 | M 18x1,5 | 34 | 17,5 | 30,0 | 22 | 17 | 10 | 7,5x1,5 | EW 10-S | 11,3 |
| | | 12 | M 20x1,5 | 38 | 21,5 | 31,0 | 24 | 17 | 12 | 9,0x1,5 | EW 12-S | 14,0 |
| | | 14 | M 22x1,5 | 40 | 22,0 | 35,0 | 27 | 19 | 14 | 10,0x2,0 | EW 14-S | (19,3) |
| | 400 | 16 | M 24x1,5 | 44 | 24,5 | 36,5 | 30 | 24 | 16 | 12,0x2,0 | EW 16-S | 25,8 |
| | | 20 | M 30x2 | 48 | 26,5 | 44,5 | 36 | 27 | 20 | 16,3x2,4 | EW 20-S | 40,3 |
| | | 25 | M 36x2 | 54 | 30,0 | 50,0 | 46 | 36 | 25 | 22,3x2,4 | EW 25-S | 75,1 |
| | | 30 | M 42x2 | 62 | 35,5 | 55,0 | 50 | 41 | 30 | 27,3x2,4 | EW 30-S | 96,4 |
| | | 38 | M 52x2 | 72 | 41,0 | 63,0 | 60 | 50 | 38 | 33,3x2,4 | EW 38-S | 142,4 |