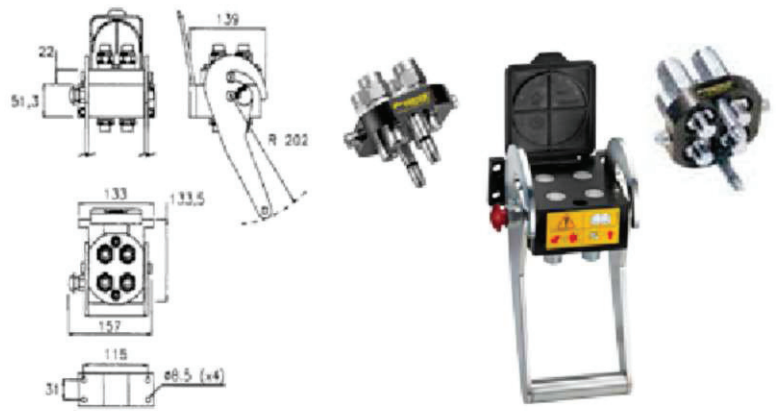


2P506

3P506

(4 X 3/8")

*1 (4 X 3/8" + 1 E)



Size Base BG Taille	Thread Filetto Anschluss Filetage	Part Number Codice Articolo Artikelnummer Désignation	Fixed Half Piastra Fissa Fixteil Partie Fixe	Mobile Half Piastra Mobile Mobilteil Partie Mobile	Working pressure Pressione di esercizio Betriebsdruck Pression de service	Burst Pressures Pressione di scoppio Berstdruck Pression d'éclatement	Flow Rate Portata Durchsatz Débit	Electrical Lines Linee Elettriche Elektroanschluss Raccordement Electrique	Weight Peso Gewicht Poids
mm	Inch				MPa (PSI)	MPa (PSI)	l/min (GPM)		

10	3/8"	F	3/8" BSP Female	2P506-4-38G F C	2P506-4-38G M C	25 (3625)	100 (14500)	40 (10.6)	0
10	3/8"	F			3P506-4-38G M C	25 (3625)	100 (14500)	40 (10.6)	0
10	3/8"	F	1/2" BSP Female	2P506-4-12G F C	2P506-4-12G M C	25 (3625)	100 (14500)	40 (10.6)	0
10	3/8"	F			3P506-4-12G M C	25 (3625)	100 (14500)	40 (10.6)	0
10	3/8"	2/	M22x1,5 Male 15L	2P506-4-2/22F C	2P506-4-2/22M C	25 (3625)	100 (14500)	40 (10.6)	0
10	3/8"	F	3/8" BSP Female	2P506-1-4-38GFC	2P506-1-4-38GMC	25 (3625)	100 (14500)	40 (10.6)	1(*)

Reference Riferimento Bezeichnung Référence	Fixed Half Piastra Fissa Fixteil Partie Fixe	Weight Peso Gewicht Poids	Package Confezione Verpackung Collis	Mobile Half Piastra Mobile Mobilteil Partie Mobile	Weight Peso Gewicht Poids	Package Confezione Verpackung Collis	Mobile Part Support Supporto parte mobile Parkplatte Support pour la partie mobile
--	---	------------------------------------	---	---	------------------------------------	---	--

A	KIT SP5 S						
B				KIT VP4 - (*)KIT VP8			
C				KIT GP4			
D	KIT LP506						
E	KIT TA P5						
A+B+D+E+F	KIT P506 F L - (*)KIT P506-1 F L)						
G+C+B				KIT P506 M - (*)KIT P506-1 M)			S P5
M				KIT2FNP38GASM		15	
M				KIT2FNP38-12GM		15	
M				KIT2FNP38-2/22M		15	
M				KIT3FNP38GASM		15	
M				KIT3FNP38-12GM		15	
SK				SK MF 38		10	
L	KIT2FNB38GASF		15				
L	KIT2FNB38-12GF		15				
L	KIT2FNB38-2/18F		15				
L	KIT2FNB38-2/22F		15				
H / I	KIT SPEL08-3F		10	KIT SPEL08-3M		10	
H / I	KIT SPEL08-7F		10	KIT SPEL08-7M		10	

Thread Filetto Anschluss Filetage

