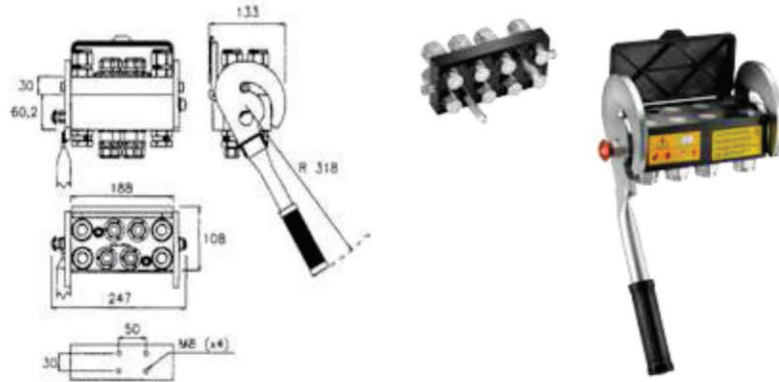


2P808

3P808

(8 X 1/2")



Size Base BG Taille	Thread Filetto Anschluss Filetage	Part Number Codice Articolo Artikelnummer Désignation	Fixed Half Piastra Fissa Fixteil Partie Fixe	Mobile Half Piastra Mobile Mobilteil Partie Mobile	Working pressure Pressione di esercizio Betriebsdruck Pression de service	Burst Pressures Pressione di scoppio Berstdruck Pression d'éclatement	Flow Rate Portata Durchsatz Débit	Electrical Lines Linee Elettriche Elektroanschluss Raccordement Electrique	Weight Peso Gewicht Poids
mm	Inch				MPa (PSI)	MPa (PSI)	l/min (GPM)		
12	1/2"	F	1/2" BSP Female	2P808-6-12G F C	2P808-6-12G M C	25 (3625)	100 (14500)	70 (18.5)	0
12	1/2"	F	1/2" BSP Female	2P808-8-12G FC	2P808-8-12G MC	25 (3625)	101 (14500)	70 (18.5)	0
12	1/2"	F	1/2" BSP Female	2P808-8-12G FC	3P808-8-12G MC	25 (3625)	100 (14500)	70 (18.5)	0

Reference Riferimento Bezeichnung Référence	Fixed Half Piastra Fissa Fixteil Partie Fixe	Weight Peso Gewicht Poids	Package Confezione Verpackung Collis	Mobile Half Piastra Mobile Mobilteil Partie Mobile	Weight Peso Gewicht Poids	Package Confezione Verpackung Collis	Mobile Part Support Supporto parte mobile Parkplatte Support pour la partie mobile
A	KIT SP5 S						
B				KIT VP8			
C				KIT GP8			
D	KIT LP808						
E	KIT TA P8						
A+B+D+E+F	KIT P808 F L						
G+C+B				KIT P808 M			S P8
M				KIT2FNP12GAS M		10	
M				KIT2FNP12-12SM		10	
M				KIT2FNP12-2/22M		10	
M				KIT2FNP12-34SM		10	
M				KIT3FNP12GAS M		10	
SK				SK MF 12		10	
L	KIT2FNB12GAS F		10				
L	KIT2FNB12-12SF		10				
L	KIT2FNB12-34SF		10				
L	KIT2FNB12-2/22F		10				
H / I	KIT SPEL08-3F		10	KIT SPEL08-3M		10	
H / I	KIT SPEL08-7F		10	KIT SPEL08-7M		10	

Thread Filetto Anschluss Filetage

