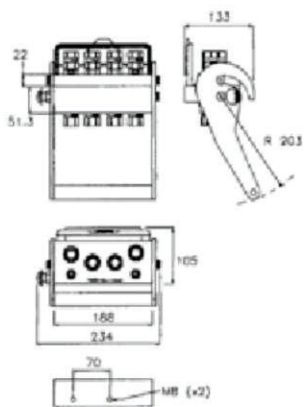


# 2PS06

## (4 X 3/8")



ISO A - ISO B - Standard  
ISO A - ISO B - Standard  
ISO A - ISO B - Standard  
ISO A - ISO B - Standard

Agriculture  
Agricoltura  
Agriculture  
Agricoltura

Screw Together  
Innesti a Vite  
Schraubkupplungen  
A Visser

Check Valves  
Valvole Unidirezionali  
Rückschlaenventile  
Clapet Anti-retour

Diagnostic  
Diagnostici  
Diagnostik  
Diagnostik

Flat Face  
Innesti Faccia Piana  
Flachdichtend  
Clapet à Face Plat

Multifaster  
Multiconnessioni  
Multikupplungen  
Multifäser

Size Base BG Taille	Thread Filetto Anschluss Filetage	Part Number Codice Articolo Artikelnummer Désignation	Fixed Half Piastra Fissa Fixteil Partie Fixe	Mobile Half Piastra Mobile Mobilteil Partie Mobile	Working pressure Pressione di esercizio Betriebsdruck Pression de service	Burst Pressures Pressione di scoppio Berstdruck Pression d' éclatement	Flow Rate Portata Durchsatz Débit	Electrical Lines Linee Elettriche Elektroanschluss Raccordement Electrique	Weight Peso Gewicht Poids
mm	inch				MPa (PSI)	MPa (PSI)	l/min (GPM)		
10	3/8"	F	3/8" BSP Female	2PS06-4-38G F C	2PS06-4-38G M C	25 (3625)	100 (14500)	40 (10.6)	0
10	3/8"	F	1/2" BSP Female	2PS06-4-12G F C	2PS06-4-12G M C	26 (3625)	100 (14500)	40 (10.6)	0
10	3/8"	2/	M22x1,5 Male 15L	2PS06-4-2/22F C	2PS06-4-2/22M C	25 (3625)	100 (14500)	40 (10.6)	0

Reference Riferimento Bezeichnung Référence	Fixed Half Piastra Fissa Fixteil Partie Fixe	Weight Peso Gewicht Poids	Package Confezione Packungaseinheit Collis	Mobile Half Piastra Mobile Mobilteil Partie Mobile	Weight Peso Gewicht Poids	Package Confezione Packungaseinheit Collis	Mobile Part Support Supporto parte mobile Parkplatte Support pour la partie mobile
A	KIT SP5 S						
B				KIT VP4			
C				KIT GP4			
D	KIT LP606						
E	KIT TA P2						
A+B+D+E+F	KIT PS06 F L						
G+C+B				KIT PS06 M			S PS
M				KIT2FNP38GASM		15	
M				KIT2FNP38-12GM		15	
M				KIT2FNP38-2/18M		15	
M				KIT2FNP38-2/22M		15	
M				KIT3FNP38GASM		15	
M				KIT3FNP38-12GM		15	
SK				SK MF 38		10	
L	KIT2FNB38GASF		15				
L	KIT2FNB38-12GF		15				
L	KIT2FNB38-2/18F		15				
L	KIT2FNB38-2/22F		15				
H/I							

**To be assembled on valves**  
**Applicabile su distributori**  
**Zur Montage auf Ventilblock**  
**À monter sur le distributeur**

Walvoil SDM143/DLM142  
Nimco CV 452/462  
Nordhydraulic RMF 200

### Thread Filetto Anschluss Filetage

