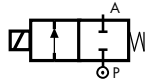


2/2 WAY DIRECT ACTING SOLENOID VALVE, G 1/8"



normally closed

TYPE: B297

TECHNICAL SPECIFICATIONS

Media [®] : water, oil, air
Media temperature: - 10°C ÷ + 130°C
Ambient temperature: - 10°C ÷ + 50°C
Body material: brass (CW719R EN 12165) low lead content
Orifice material: stainless steel (1.4305 EN 10088/AISI 303)
Operator material: stainless steel
Seal material: foodgrade FKM
Coil power: AC 10vA (holding) AC 16vA (inrush) DC 7w
Protection class: IP 65 (with connector)

OPTIONS

Normally open (e.g. code <u>RB297DVC</u>)
Manual override (e.g. code <u>B297DVCM</u>)
EPDM seal for air and hot water MAX 120°C (e.g. code <u>B297DEC</u>)
Electroless nickel plating treatment (e.g. code <u>B297DVEK</u>)
NPT connection upon request (e.g. code <u>B297DVEN</u>)

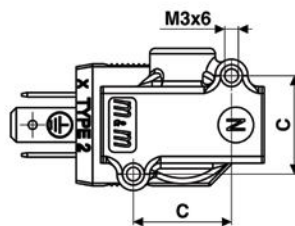
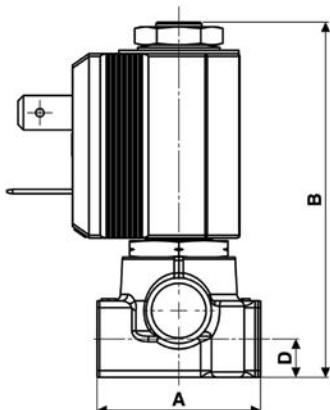
NOTES

❶ Valve suitable for contact with food media as per the EEC Directives and Regulations. For more specific information, please contact M&M Sales Department.



SELECTION TABLE

VALVE	G connection	nominal diameter	flow rate Kvs	OPD			COILS	
				min	max AC	max DC	code	[Volts/Hz]
code	[ISO 228 G]	[mm]	[l/min]	[barg]	[barg]	[barg]	code	[Volts/Hz]
B297DVA	1/8"	1.0	0.5	0	30	28	2250	24v DC
B297DVB	1/8"	1.2	0.7	0	25	22	2200	24v 50/60Hz
B297DVC	1/8"	1.5	1.0	0	22	18	2400	110v 50Hz - 120v 60Hz
B297DVE	1/8"	2.0	1.7	0	18	9	2600	200v 50Hz - 220v 60Hz
B297DVG	1/8"	2.5	2.3	0	13	3	2700	230v 50Hz - 240v 60Hz
B297DVH	1/8"	3.0	3.0	0	8	1		



DIMENSIONS & WEIGHTS

G connection	A	B	C	D	weight
[ISO 228 G]	[mm]	[mm]	[mm]	[mm]	[kg]
1/8"	30	65	18	7	0.15

Flow direction overseat 1 → 2