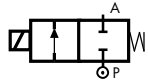


2/2 WAY DIRECT ACTING SOLENOID VALVE, G 1/4" ÷ G 1/2"



normally closed

TYPE: D237/238/239

TECHNICAL SPECIFICATIONS

- Media: water, oil, air
- Media temperature: -10°C ÷ +130°C
- Ambient temperature: -10°C ÷ +50°C
- Body material: brass (CW617N EN 12165)
- Pilot material: stainless steel
- Seal material: FKM
- Coil power: AC 18VA (holding)
AC 36VA (inrush)
DC 14w
- Protection class: IP 65 (with connector)

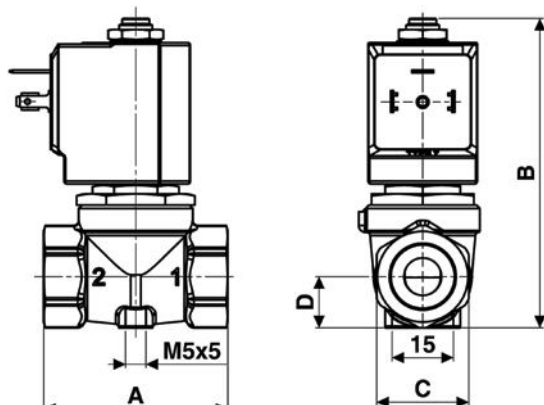
OPTIONS

- EPDM seal for air and hot water MAX 120°C (e.g. code D239DEU)
- NBR seal for air, water, oil MAX 90°C (e.g. code D237DBU)



SELECTION TABLE

VALVE	G connection	nominal diameter	flow rate Kvs	OPD			COILS	
				min	max AC	max DC	code	[Volts/Hz]
code	[ISO 228 G]	[mm]	[l/min]	[barg]	[barg]	[barg]	code	[Volts/Hz]
D237DVU	1/4"	10.5	21	0	0.4	0.2	7250	24v DC
D238DVL	3/8"	4.0	6	0	8	5	7200	24v 50/60Hz
D238DVN	3/8"	5.0	7.5	0	5	2	7400	110v 50Hz - 120v 60Hz
D238DVP	3/8"	6.0	8.5	0	3.5	1.1	7600	200v 50Hz - 220v 60Hz
D238DVU	3/8"	10.5	24	0	0.4	0.2	7700	230v 50Hz - 240v 60Hz
D239DVL	1/2"	4.0	6	0	8	5		
D239DVN	1/2"	5.0	7.5	0	5	2		
D239DVP	1/2"	6.0	8.5	0	3.5	1.1		
D239DVU	1/2"	10.5	25	0	0.4	0.2		



Flow direction overseat 1 → 2

DIMENSIONS & WEIGHTS

G connection	A	B	C	D	weight
[ISO 228 G]	[mm]	[mm]	[mm]	[mm]	[kg]
1/4"	54	89	Hex 27	15	0.45
3/8"	54	89	Hex 27	15	0.4
1/2"	54	89	Hex 27	15	0.4