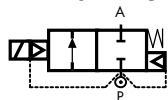


## 2/2 WAY PILOT OPERATED SOLENOID VALVE, G 3/4" ÷ G 1" - MANUAL RESET

To open the valve it is necessary to push the manual reset button. The closure of the valve is operated by a short electric impulse. The valve uses a standard DC coil. If 230V/AC is supplied, it is necessary to use a connector with integrated half-wave rectifier with reversed polarity (please refer to the wiring diagram).



normally closed

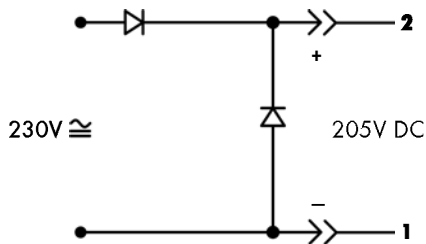
TYPE: D506/522

### TECHNICAL SPECIFICATIONS

- Media: water, oil, air
- Media temperature: -10°C ÷ +80°C
- Ambient temperature: -10°C ÷ +50°C
- Body material: brass (CW617N EN 12165)
- Operator material: stainless steel
- Operator seal material: FKM
- Diaphragm material: FKM
- Coil power: DC 14w
- Protection class: IP 65 (with connector)

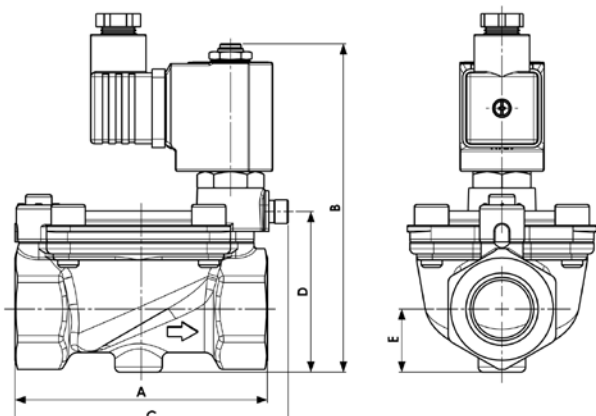
### CONNECTOR - WIRING DIAGRAM -

Connector with integrated half-wave rectifier with reversed polarity code **600 041 00-**



SELECTION TABLE

VALVE	G connection	nominal diameter	flow rate Kvs	min	OPD		COILS	
					max AC	max DC	code	[Volts/Hz]
code	[ISO 228 G]	[mm]	[l/min]	[barg]	[barg]	[barg]	code	[Volts/Hz]
D506DVY	3/4"	25	140	0.3	-	16	7250	24v DC
D522DVY	1"	25	160	0.3	-	16	7S51	205v DC



DIMENSIONS & WEIGHTS

G connection	A	B	C	D	E	weight
[ISO 228 G]	[mm]	[mm]	[mm]	[mm]	[mm]	[kg]
3/4"	96	125	104	61.1	24	1.3
1"	96	125	104	61.1	24	1.5

Flow direction overseat 1 → 2