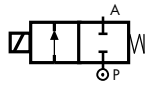


2/2 WAY DIRECT ACTING SOLENOID VALVE, G 1/8" - G 1/4"



normally closed

STEAM VERSION

TYPE: D262/263

TECHNICAL SPECIFICATIONS

Media: steam
Media temperature: -10°C ÷ +180°C
Ambient temperature: -10°C ÷ +70°C
Body material: brass (CW617N EN 12165)
Orifice material: stainless steel (1.4305 EN 10088/AISI 303)
Operator: stainless steel
Seal material: Sigodur (filled PTFE)
Coil power: AC 18VA (holding) AC 36VA (inrush) DC 14w
Protection class: IP 65 (with connector)

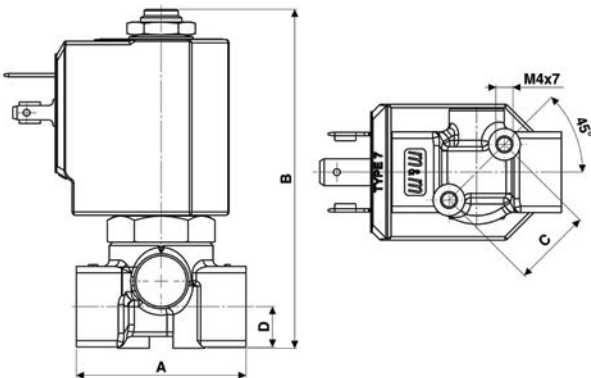
OPTIONS

Also available with Ø 4 mm orifice (e.g. code D262DLL), Ø 5 mm orifice (e.g. code D262DLN), Ø 5,5 mm orifice (e.g. code D262DLO)
For water, oil, air see page 11



SELECTION TABLE

VALVE	G connection	nominal diameter	flow rate Kvs	OPD			COILS class "H" only	
				min	max AC	max DC	code	[Volts/Hz]
code	[ISO 228 G]	[mm]	[l/min]	[barg]	[barg]	[barg]	code	[Volts/Hz]
D262DLA	1/8"	1.0	0.5	0	9	9	7251	24v DC
D262DLC	1/8"	1.5	1.3	0	9	9	7201	24v 50/60Hz
D262DLG	1/8"	2.5	3.4	0	9	9	7401	110v 50Hz - 120v 60Hz
D262DLH	1/8"	3.0	4.5	0	9	8	7601	200v 50Hz - 220v 60Hz
D263DLA	1/4"	1.0	0.5	0	9	9	7701	230v 50Hz - 240v 60Hz
D263DLC	1/4"	1.5	1.3	0	9	9		
D263DLG	1/4"	2.5	3.4	0	9	9		
D263DLH	1/4"	3.0	4.5	0	9	8		



Flow direction overseat 1 → 2

DIMENSIONS & WEIGHTS

G connection	A	B	C	D	weight
[ISO 228 G]	[mm]	[mm]	[mm]	[mm]	[kg]
1/8" - 1/4"	40	77.5	18.5	9.5	0.26