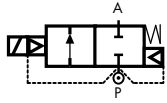


2/2 WAY PILOT OPERATED SOLENOID VALVE, G 3/4" - G 1"



normally closed

STEAM VERSION

TYPE: D606/622

TECHNICAL SPECIFICATIONS

Media [⊖] : steam
Media temperature: +80°C [⊖] ÷ +180°C
Ambient temperature: -10°C ÷ +70°C
Body material: brass (CW617N EN 12165)
Orifice material: stainless steel (1.4305 EN 10088/AISI 303)
Operator material: stainless steel
Operator seal material: PTFE
Main seal and diaphragm material: PTFE
Coil power: AC 18VA (holding)
AC 36VA (inrush)
DC 14w
Protection class: IP 65 (with connector)

OPTIONS

Normally open (e.g. code RD606DTY)

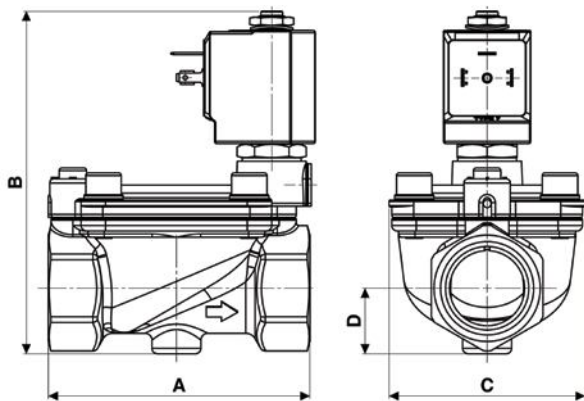
NOTES

- Water & high content of condensate can damage the diaphragm
- To ensure correct functionality, it is important that the working temperature exceeds 80°C.



SELECTION TABLE

VALVE	G connection	nominal diameter	flow rate Kvs	OPD			COILS	
				min	max Ac	max Dc	class "H" only	
code	[ISO 228 G]	[mm]	[l/min]	[barg]	[barg]	[barg]	code	[Volts/Hz]
D606DTY	3/4"	24	120	1	9	9	7151	12v DC
D622DTY	1"	24	120	1	9	9	7251	24v DC
							7201	24v 50/60Hz
							7401	110v 50Hz - 120v 60Hz
							7601	200v 50Hz - 220v 60Hz
							7701	230v 50Hz - 240v 60Hz



Flow direction overseat 1 → 2

DIMENSIONS & WEIGHTS

G connection	A	B	C	D	weight
[ISO 228 G]	[mm]	[mm]	[mm]	[mm]	[kg]
3/4" - 1"	96	126	72	24	1.3