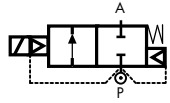


2/2 WAY PILOT OPERATED SOLENOID VALVE, G 1/4" ÷ G 1"



normally closed

STEAM VERSION

TYPE: D887/888/889/890/892

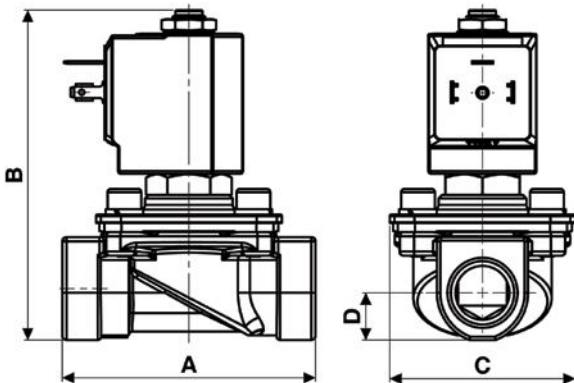
TECHNICAL SPECIFICATIONS

Media:	hot water, steam
Media temperature:	-10°C ÷ +150°C
Ambient temperature:	-10°C ÷ +70°C
Body material:	brass (CW617N EN 12165)
Orifice material:	stainless steel (1.4305 EN 10088/AISI 303)
Operator material:	stainless steel
Operator seal material:	EPM PX 70/80
Diaphragm material:	PTFE
Main seal material:	EPM PX 70/80
Coil power:	AC 18vA (holding) AC 36vA (inrush) DC 22w
Protection class:	IP 65 (with connector)



SELECTION TABLE

VALVE	G connection	nominal diameter	flow rate Kvs	min	OPD max AC	max DC	COILS class "H" only	
							code	[Volts/Hz]
code	[ISO 228 G]	[mm]	[l/min]	[barg]	[barg]	[barg]	code	[Volts/Hz]
D887DPV	1/4"	11.5	35	0.3	4.5	4.5	72Z1	24v DC
D888DPV	3/8"	11.5	50	0.3	4.5	4.5	7201	24v 50/60Hz
D889DPV	1/2"	11.5	55	0.3	4.5	4.5	7401	110v 50Hz - 120v 60Hz
D890DPV	3/4"	11.5	70	0.3	4.5	4.5	7601	200v 50Hz - 220v 60Hz
D892DPV	1"	11.5	75	0.3	4.5	4.5	7701	230v 50Hz - 240v 60Hz



Flow direction overseat 1 → 2

DIMENSIONS & WEIGHTS

G connection	A	B	C	D	weight
[ISO 228 G]	[mm]	[mm]	[mm]	[mm]	[kg]
1/4"	75	108	55	14	0.55
3/8"	75	108	55	14	0.5
1/2"	75	108	55	14	0.5
3/4"	85	108	55	21.5	0.8
1"	85	108	55	21.5	0.8