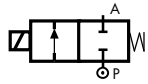


2/2 WAY DIRECT ACTING SOLENOID VALVE, G 1/8"



normally closed

TYPE: B298

TECHNICAL SPECIFICATIONS

| | |
|----------------------|--|
| Media: | water, oil, air, aggressive fluids |
| Media temperature: | - 10°C ÷ + 130°C |
| Ambient temperature: | - 10°C ÷ + 50°C |
| Body material: | stainless steel (1.4305 EN 10088/AISI 303) |
| Orifice material: | stainless steel (1.4305 EN 10088/AISI 303) |
| Operator material: | stainless steel |
| Seal material: | foodgrade FKM |
| Coil power: | AC 10VA (holding) AC 16VA (inrush) DC 7W |
| Protection class: | IP 65 (with connector) |

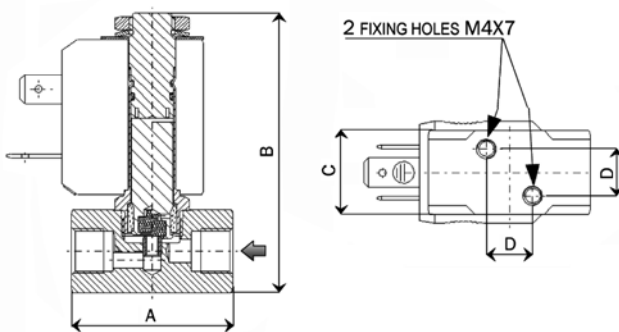
OPTIONS

Kalrez® seal for use with aggressive fluids see page 49 (e.g. code B298DKE)



SELECTION TABLE

| VALVE | G connection | nominal diameter | flow rate Kvs | OPD | | | COILS | |
|---------|--------------|------------------|---------------|--------|--------|--------|-------|-----------------------|
| | | | | min | max AC | max DC | code | [Volts/Hz] |
| code | [ISO 228 G] | [mm] | [l/min] | [barg] | [barg] | [barg] | code | [Volts/Hz] |
| B298DVC | 1/8" | 1.5 | 1.0 | 0 | 22 | 18 | 2250 | 24v DC |
| B298DVE | 1/8" | 2.0 | 1.9 | 0 | 18 | 8 | 2200 | 24v 50/60Hz |
| B298DVG | 1/8" | 2.5 | 2.7 | 0 | 13 | 2,5 | 2400 | 110v 50Hz - 120v 60Hz |
| B298DVH | 1/8" | 3.0 | 3.5 | 0 | 8 | 1 | 2600 | 200v 50Hz - 220v 60Hz |
| | | | | | | | 2700 | 230v 50Hz - 240v 60Hz |
| | | | | | | | | |
| | | | | | | | | |
| | | | | | | | | |



Flow direction overseat 1 → 2

DIMENSIONS & WEIGHTS

| G connection | A | B | C | D | weight |
|--------------|------|------|------|------|--------|
| [ISO 228 G] | [mm] | [mm] | [mm] | [mm] | [kg] |
| 1/8" | 35 | 60.6 | 18 | 10 | 0.1 |
| | | | | | |
| | | | | | |
| | | | | | |