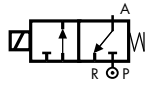


3/2 WAY DIRECT ACTING SOLENOID VALVE, G 1/8"



normally closed

TYPE: B398

TECHNICAL SPECIFICATIONS

Media: water, oil, air, aggressive fluids

Media temperature: - 10°C ÷ + 130°C

Ambient temperature: - 10°C ÷ + 50°C

Body material: stainless steel (1.4305 EN 10088/AISI 303)

Orifice material: stainless steel (1.4305 EN 10088/AISI 303)

Operator material: stainless steel

Seal material: foodgrade FKM

Coil power: AC 10VA (holding)

AC 16VA (inrush)

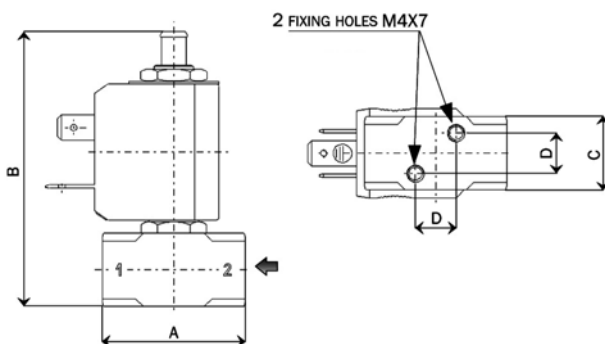
DC 7W

Protection class: IP 65 (with connector)



SELECTION TABLE

VALVE	G connection	nominal diameter	flow rate Kvs	OPD			COILS	
				min	max AC	max DC	code	[Volts/Hz]
code	[ISO 228 G]	[mm]	[l/min]	[barg]	[barg]	[barg]	code	[Volts/Hz]
B398EVB	1/8"	1.2	0.7	0	15	15	2250	24v DC
B398EVC	1/8"	1.5	1.0	0	10	10	2200	24v 50/60Hz
B398EVE	1/8"	2.0	1.9	0	5	5	2400	110v 50Hz - 120v 60Hz
B398EVG	1/8"	2.5	2.7	0	3	3	2600	200v 50Hz - 220v 60Hz
							2700	230v 50Hz - 240v 60Hz



Flow direction underseat 2 → 1

DIMENSIONS & WEIGHTS

G connection	A	B	C	D	weight
[ISO 228 G]	[mm]	[mm]	[mm]	[mm]	[kg]
1/8"	35	68	18	10	0.1