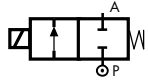


2/2 WAY DIRECT ACTING "DRY ARMATURE" SOLENOID VALVE, G 3/8"

TOTAL SEPARATION BETWEEN INTERNAL PARTS AND MEDIUM



normally closed

TYPE: D211

TECHNICAL SPECIFICATIONS

Media: water and beverages

Media temperature: -10°C ÷ +95°C

Ambient temperature: -10°C ÷ +50°C

Body material: brass (CW617N EN 12165)

Operator material: stainless steel

Seal material: silicone FDA listed

Coil power: AC 18VA (holding)

AC 36VA (inrush)

DC 14w

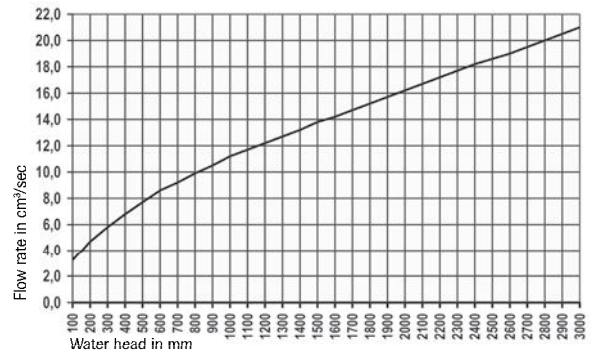
Protection class: IP 65 (with connector)

OPTIONS

Electroless nickel plating treatment (e.g. code D211DSUK)

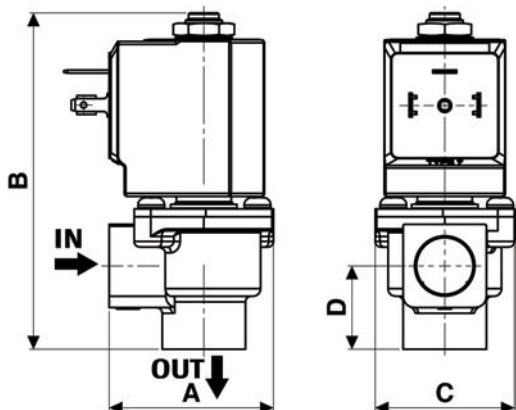


FLOW RATE CHART *



SELECTION TABLE

VALVE	G connection	nominal diameter	flow rate Kvs	OPD			COILS	
				min	max AC	max DC	code	[Volts/Hz]
code	[ISO 228 G]	[mm]	[l/min]	[barg]	[barg]	[barg]	code	[Volts/Hz]
D211DSU	3/8"	11	*	0	0.3	-	7250	24v DC
C D211DSU	3/8"	11	*	0	-	0.2	7200	24v 50/60Hz
							7400	110v 50Hz - 120v 60Hz
							7600	200v 50Hz - 220v 60Hz
							7700	230v 50Hz - 240v 60Hz



DIMENSIONS & WEIGHTS

G connection	A	B	C	D	weight
[ISO 228 G]	[mm]	[mm]	[mm]	[mm]	[kg]
3/8"	43.4	88.8	36	22	0.340