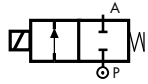


2/2 WAY DIRECT ACTING SOLENOID VALVE, G 1/8" - G 1/4"



normally closed

TYPE: D298/299

TECHNICAL SPECIFICATIONS

Media: water, oil, air, aggressive fluids
Media temperature: -10°C ÷ +130°C
Ambient temperature: -10°C ÷ +50°C
Body material: stainless steel (1.4305 EN 10088/AISI 303)
Orifice material: stainless steel (1.4305 EN 10088/AISI 303)
Operator material: stainless steel
Seal material: foodgrade FKM
Coil power: AC 18vA (holding)
AC 36vA (inrush)
DC 14w
Protection class: IP 65 (with connector)

OPTIONS

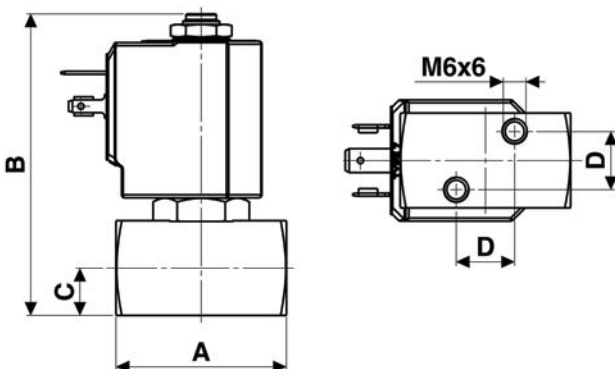
- Normally open with class "H" coils only (e.g. code RD298DVG 7701)
- Silver shading ring (e.g. code D298DVCA)
- Kalrez® seal for use with aggressive fluids see page 49 (e.g. code D298DKG)
- Steam version available (e. g. code D299DLH)
- High pressure version see page 25
- EEX proof version see page 43



SELECTION TABLE

VALVE	G connection	nominal diameter	flow rate Kvs	OPD			COILS	
				min	max AC	max DC	code	[Volts/Hz]
code	[ISO 228 G]	[mm]	[l/min]	[barg]	[barg]	[barg]	code	[Volts/Hz]
D298DVC	1/8"	1.5	1.3	0	24	24	7250	24v DC
D298DVG	1/8"	2.5	3.4	0	18	16	7200	24v 50/60Hz
D298DVH	1/8"	3.0	4.5	0	15	8	7400	110v 50Hz - 120v 60Hz
D299DVC	1/4"	1.5	1.3	0	24	24	7600	200v 50Hz - 220v 60Hz
D299DVG	1/4"	2.5	3.4	0	18	16	7700	230v 50Hz - 240v 60Hz
D299DVH	1/4"	3.0	4.5	0	15	8		
D299DVL *	1/4"	4.0	6.0	0	10	5,5		
D299DVN *	1/4"	5.0	7.5	0	5	2,5		

* NO version not available



Flow direction overseat 1 → 2

DIMENSIONS & WEIGHTS

G connection	A	B	C	D	weight
[ISO 228 G]	[mm]	[mm]	[mm]	[mm]	[kg]
1/8" - 1/4"	45	80	12.5	15.4	0.36