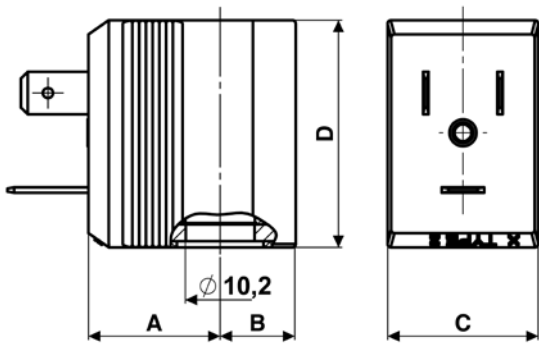
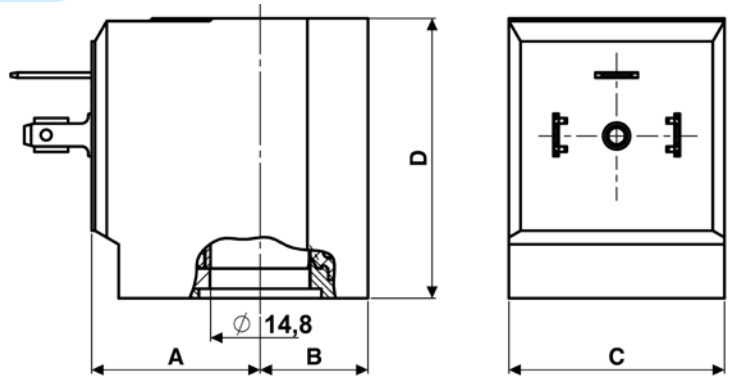


COILS - DIMENSIONS & WEIGHTS



Coil series 2000



Coil series 7000

DIMENSIONS & WEIGHTS

Series	A	B	C	D	weight
[code]	[mm]	[mm]	[mm]	[mm]	[kg]
2000	19.5	11.2	22.3	33.7	0.060
7000	25	16	32	41.4	0.146

DIN CONNECTORS FOR SOLENOID VALVES

Coil connectors provide the safest flexible system for connecting M&M International solenoid valves and give a protection class of IP65. They are designed and made of synthetic material offering a high level of electrical insulation. Compliance with UL 1977 and VDE Regulations.

TECHNICAL DATA

Rated voltage (Max.):	250V AC / 300V DC
Nominal current:	10 A (Rated) / 16A (Max.)
Wire cross-section:	1.5 mm ² (Max.)
Cable entry:	PG9 (6 - 8 mm)
Protection class:	IP 65 (only with gasket)
Insulation class:	group C - VDE 0110
Housing colour:	black

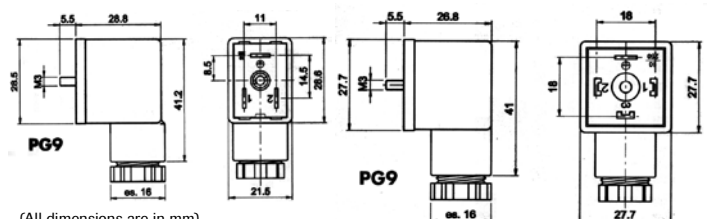
OPTIONS

- Connectors with protection circuits
- Connectors with LED
- Connectors with flying leads

NOTES

Connectors are supplied with thermoplastic rubber bordered gasket, fixing screw and preinstalled position with ground H 12 (the connector can be spinned when connected)
Other versions available upon request and depending on quantity: please contact M&M Sales Department.

SERIES: 600 001 00- / 600 011 00-



(All dimensions are in mm)

For coil series 2000, connector code 600 001 00-, weight: 0.019 Kg

For coil series 7000, connector code 600 011 00-, weight: 0.020 Kg