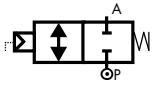


2/2 WAY COMPACT PISTON ACTUATED VALVE G 3/8" ÷ 1/2" – BRASS

Piston valve with external pneumatic actuation, compact and solid construction. Suitable for neutral media with particles in suspension, on applications where a standard pilot operated solenoid valve may become clogged.



normally closed
flow over / under seat

TECHNICAL SPECIFICATIONS

Media: water and inert fluids, air and inert gases
Media temperature: -10°C ÷ +90°C
Ambient temperature: -10°C ÷ +80°C
Pilot media: filtered air
Actuator body material: brass (CW617N EN 12165)
Body material: brass (CW617N EN 12165)
Piston material: aluminium
Stem material: AISI 316L
Seal material: NBR
Frequency: 6 cycles per minute

BENEFITS

Waterhammer-free design (flow direction 2→1)
Swift installation with banjo bolt pilot solenoid valve B356CVCMK (see page 30)
Design for vacuum applications up to 10 ⁻² mbar

OPTIONS

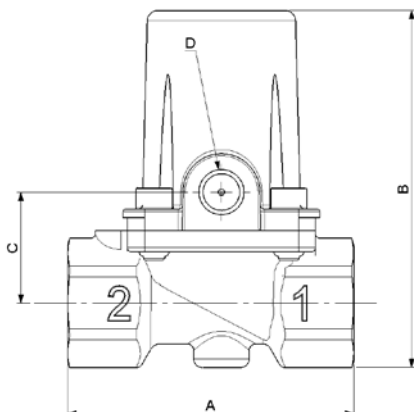
NPT connection (e.g. Code BLN205DBW00)
Electroless nickel plating treatment (e.g. Code BLG205DBW0K)

TYPE: BLG



SELECTION TABLE

VALVE	Body connection	DN	Flow rate Kvs	Working pressure		Flow direction	Pilot pressure		Actuator Ø
				min	max		min	max	
Code	[ISO 228 G]	[mm]	[l/min]	[barg]	[barg]	-	[barg]	[barg]	[mm]
BLG204DBW00	3/8"	13.5	56 / 45	0	10	1→2 / 2→1	4.5	10	32
BLG205DBW00	1/2"	13.5	70 / 55	0	10	1→2 / 2→1	4.5	10	32



DIMENSIONS & WEIGHTS

Body connection	A	B	C	D	Weight
[ISO 228 G]	[mm]	[mm]	[mm]	[ISO 228 G]	[kg]
3/8"	67	84	26	1/8"	0.55
1/2"	67	84	26	1/8"	0.52