

MANUAL ANGLE SEAT VALVE G 1/2" ÷ 2" – BRONZE

flow over/ under seat

TECHNICAL SPECIFICATIONS

Media: water, oil, air, aggressive media and steam ❶

Media temperature: -10°C ÷ +180°C

Ambient temperature: -10°C ÷ +60°C

Body material: bronze (CB491K EN 1982)

Bonnet material: brass (CW617N EN 12165)

Seal material: PTFE type TFM 1600

OPTIONS

NPT Connection (e.g. Code CN2050TW00)

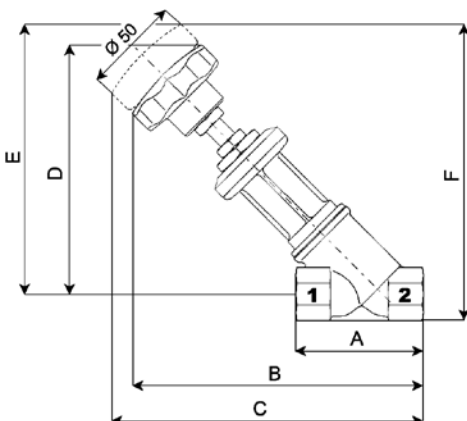
TYPE: CG MANUAL



SELECTION TABLE

VALVE	Connection	DN	Flow rate Kvs	Working pressure ❶		Flow direction
				min	max	
Code	[ISO 228 G]	[mm]	[l/min]	[barg]	[barg]	-
CG2050TW00	1/2"	15	87	0	25	1 ↔ 2
CG2060TX00	3/4"	20	164	0	25	1 ↔ 2
CG2070TY00	1"	25	260	0	25	1 ↔ 2
CG2080TZ00	1 1/4"	32	410	0	25	1 ↔ 2
CG2090TK00	1 1/2"	40	700	0	25	1 ↔ 2
CG2100TJ00	2"	50	916	0	16	1 ↔ 2

❶ Steam: max working pressure 10 bar (9 barg);



DIMENSIONS & WEIGHTS

Connection	A	B	C	D	E	F	Weight
[ISO 228 G]	[mm]	[mm]	[mm]	[mm]	[mm]	[mm]	[kg]
1/2"	65	142	150	121	128	141	0.75
3/4"	75	148	155	126	133	150	0.80
1"	90	163	172	135	145	165	1.20
1 1/4"	110	175	188	143	156	181	1.80
1 1/2"	120	180	193	148	161	189	2.10
2"	150	198	212	157	170	205	3.10