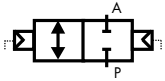


2/2 WAY PISTON ACTUATED VALVE G 1/2" ÷ 2" DOUBLE ACTING – BRONZE



double acting
flow over / under seat

TECHNICAL SPECIFICATIONS

- Media: water, oil, air, aggressive media and steam ①
- Media temperature: -10°C ÷ +180°C
- Ambient temperature: -10°C ÷ +60°C
- Pilot media: air, inert gases
- Body material: bronze (CB491K EN 1982)
- Bonnet material: brass (CW617N EN 12165)
- Actuator body material: Polyamide PA6 (reinforced fiberglass 30%)
- Seal material: PTFE type TFM 1600
- Position indicator as standard

BENEFITS

- Waterhammer-free design (with flow direction 2→1)
- Actuator housing rotation 360°

OPTIONS

- Manual override (e.g. Code DCG205STWM0) see page 28
- Stroke regulator (e.g. Code DCG210STJR0) see page 28
- Travel switch (e.g. Code DCG208STZL0) see page 28
- Design for vacuum applications up to 10⁻² mbar (e.g. Code DCG205STW0V)
- NPT Connection (e.g. Code DCN205STW00)

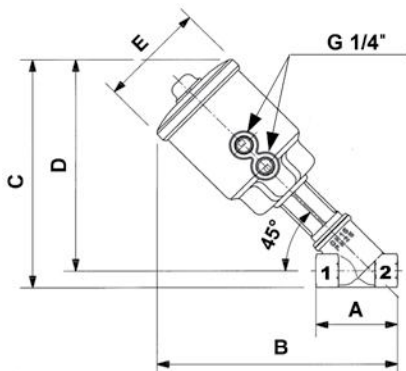
TYPE: REGULAR DA



SELECTION TABLE

VALVE	Connection	DN	Flow rate Kvs	Working pressure ①		Flow direction	Pilot pressure ②		Actuator Ø
				min	max		min	max	
Code	[ISO 228 G]	[mm]	[l/min]	[barg]	[barg]	-	min [barg]	max [barg]	[mm]
DCG205STW00	1/2"	15	87	0	16	1 ↔ 2	1.8	2	63
DCG206STX00	3/4"	20	164	0	16	1 ↔ 2	2	3.8	
DCG207STY00	1"	25	260	0	16	1 ↔ 2	3	5	
DCG208STZ00	1 1/4"	32	410	0	16	1 ↔ 2	4.5	6	
DCG209STK00	1 1/2"	40	700	0	16	1 ↔ 2	6.5	7	
DCG210STJ00	2"	50	950	0	12	1 ↔ 2	9	10	

① Steam: max working pressure 10 bar (9 barg); ② Minimum pilot pressure at the max working pressure; for lower working pressures please refer to the comparative charts



DENISONS & WEIGHTS

Connection	Actuator Ø	A	B	C	D	E	Weight
[ISO 228 G]	[mm]	[mm]	[mm]	[mm]	[mm]	[mm]	[kg]
1/2"	63	65	192	184	171	85	1.2
3/4"	63	75	198	192	176	85	1.3
1"	63	90	212	205	185	85	1.5
1 1/4"	63	110	225	217	193	85	1.9
1 1/2"	63	120	230	225	198	85	2.1
2"	63	150	248	241	207	85	2.9