

## STAINLESS STEEL ACTUATORS FOR M&M PAV SERIES M AND G, DN 15 ÷ 50 FOR USE IN POTENTIALLY EXPLOSIVE ATMOSPHERES - II 2 GD c TX CLASS -

Compact stainless steel actuators available in two sizes: Ø 63 and Ø 90.

Suitable for demanding installations where the use of metallic components is recommended because of the presence of chemical agents in the atmosphere, frequent cleaning operations or in order to avoid any accidental damage. These actuators are suitable for all M&M PAV body versions: screwed (GAS, NPT), welded ends (butt/socket), flanged, sanitary clamp.

### TECHNICAL SPECIFICATIONS

Protection class: II 2 GD c TX
Media: water, oil, air, aggressive media and steam
Media temperature: -10°C ÷ +200°C
Ambient temperature: -10°C ÷ +80°C
Pilot media: air, inert gases
Actuator body material: ASTM A 351 CF8 (AISI 304)
Position indicator as standard
Valves DN32-DN50 complying with 97/23 Directive Category I

### BENEFITS

Actuator housing rotation 360°
High resistance to external agents, shocks

### OPTIONS

Normally open (e.g. Code R <sub>PG</sub> 207MTY00)
----------------------------------------------------

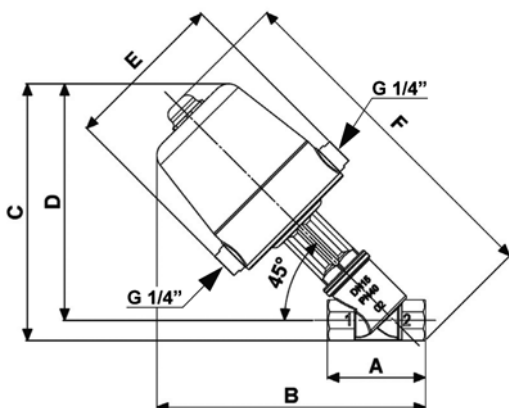
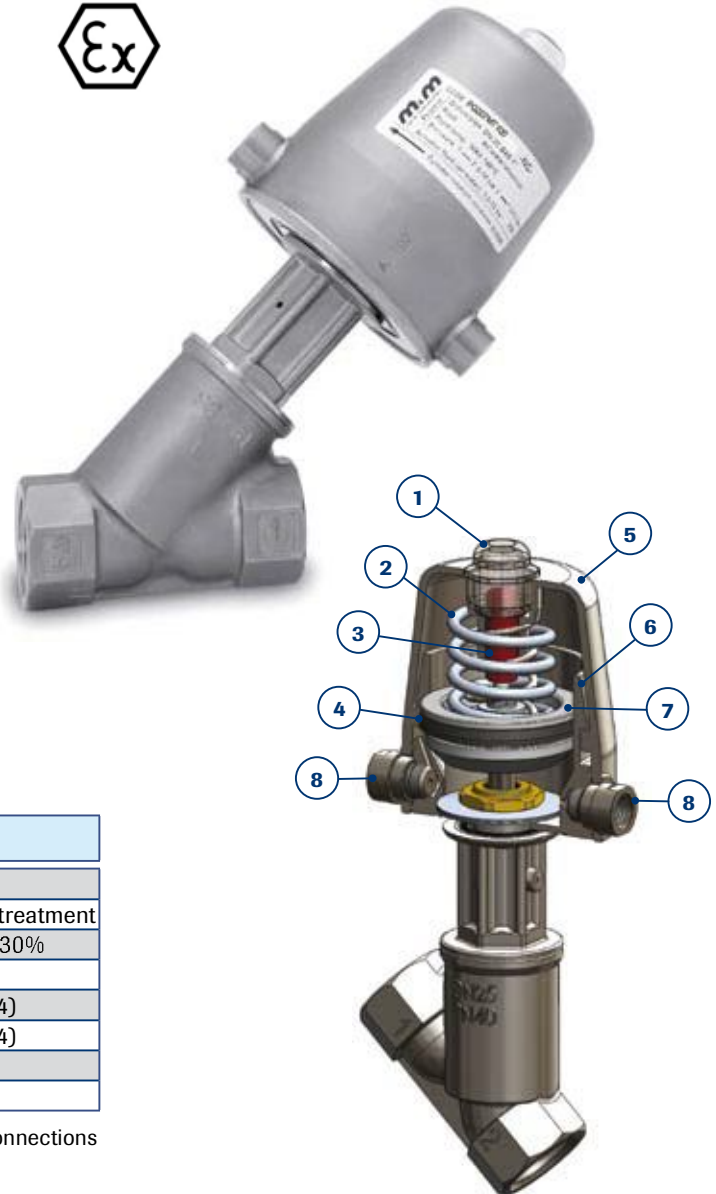
For more general information and technical specifications, please refer to our standard valve data sheets.

For example: **PG205MTW00** (actuator Ø 63) matches with PG205STW00, and **PG210GTJ00** (actuator Ø 90) matches with PG210LTJ00.

Pos.	Description	Material
1	Transparent protective dome	Polycarbonate
2	Spring	Steel with electrophoresis treatment
3	Red position indicator	PA6 reinforced fiberglass 30%
4	Seal	FKM
5	Actuator cover	ASTM A 351 CF8 (AISI 304)
6	Actuator housing	ASTM A 351 CF8 (AISI 304)
7	Piston	Alluminium
8	Pilot valve connections ①	AISI 303

① "NO" - "NC" markings at the bottom of the actuator housing, next to the connections

### SERIE M AND G



### DIMENSIONS & WEIGHTS

Connection	Actuator Ø	A	B	C	D	E	F	Weight
[ISO 228 G]	[mm]	[mm]	[mm]	[mm]	[mm]	[mm]	[mm]	[kg]
1/2"	63	65	178	171	157	108	228	2.3
3/4"	63	75	184	178	162	108	239	2.4
1"	63	90	200	200	172	108	258	2.6
1 1/4"	63	110	211	204	180	108	275	3.1
1 1/2"	63	120	216	212	184	108	284	3.4
2"	63	150	234	227	193	108	307	4.1
1"	90	90	208	201	181	135	260	3.6
1 1/4"	90	110	221	213	189	135	278	4.1
1 1/2"	90	120	226	221	194	135	286	4.3
2"	90	150	244	236	202	135	310	5.1