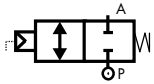


2/2 WAY PISTON ACTUATED VALVE G 1/2" ÷ 2" BI-DIRECTIONAL – STAINLESS STEEL



normally closed
flow over / under seat

TECHNICAL SPECIFICATIONS

- Media: water, oil, air, aggressive media and steam ①
- Media temperature: -10°C ÷ +180°C
- Ambient temperature: -10°C ÷ +60°C
- Pilot media: air, inert gases
- Body material: cast AISI 316L (CF3M), see page 37
- Bonnet material: cast AISI 316L (CF3M), see page 37
- Actuator body material: Polyamide PA6 (reinforced fiberglass 30%)
- Seal material: PTFE type TFM 1600
- Position indicator as standard
- Valves DN32-DN50 complying with 97/23 Directive Category I

BENEFITS

- Waterhammer-free design (with flow direction 2→1)
- Actuator housing rotation 360°
- Design suitable for vacuum applications up to 10⁻² mbar

OPTIONS

- Manual override (e.g. Code BPG205STWM0) see page 28
- Stroke regulator (e.g. Code BPG210STJR0) see page 28
- Travel switch (e.g. Code BPG208LTZ10) see page 28
- NPT Connection (e.g. Code BPN205STW00)
- Welded ends see page 17

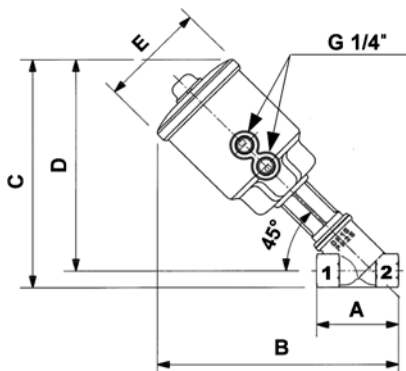
TYPE: REGULAR BD



SELECTION TABLE

VALVE	Connection	DN	Flow rate Kvs	Working pressure ①		Flow direction	Pilot pressure ②		Actuator Ø
				min	max		min	max	
Code	[ISO 228 G]	[mm]	[l/min]	[barg]	[barg]	-	[barg]	[barg]	[mm]
BPG205STW00	1/2"	15	87	0	16	1→2 / 2→1	5.5 / 3.8	10	63
BPG206STX00	3/4"	20	164	0	16	1→2 / 2→1	6 / 3.8	10	
BPG207STY00	1"	25	260	0	16 / 11	1→2 / 2→1	6.5 / 3.8	10	
BPG208STZ00	1 1/4"	32	410	0	16 / 6	1→2 / 2→1	6.8 / 3.8	10	
BPG209STK00	1 1/2"	40	700	0	12 / 4	1→2 / 2→1	9 / 3.8	10	
BPG210STJ00	2"	50	950	0	8 / 2.5	1→2 / 2→1	9 / 3.8	10	
BPG207LTY00	1"	25	260	0	16 / 14	1→2 / 2→1	4 / 3.3	8	90
BPG208LTZ00	1 1/4"	32	410	0	16 / 12	1→2 / 2→1	5 / 3.3	8	
BPG209LTK00	1 1/2"	40	700	0	16 / 8	1→2 / 2→1	6 / 3.3	8	
BPG210LTJ00	2"	50	950	0	14 / 6	1→2 / 2→1	8 / 3.3	8	

① Steam: max working pressure 10 bar (9 barg); ② Minimum pilot pressure at the max working pressure; for lower working pressures please refer to the comparative charts



DIMENSIONS & WEIGHTS

Connection	Actuator Ø	A	B	C	D	E	Weight
[ISO 228 G]	[mm]	[mm]	[mm]	[mm]	[mm]	[mm]	[kg]
1/2"	63	65	192	184	171	85	1.2
3/4"	63	75	198	192	176	85	1.3
1"	63	90	212	205	185	85	1.5
1 1/4"	63	110	225	217	193	85	1.9
1 1/2"	63	120	230	225	198	85	2.1
2"	63	150	248	241	207	85	2.9
1"	90	90	223	216	196	112	2.0
1 1/4"	90	110	234	227	202	112	2.4
1 1/2"	90	120	239	235	207	112	2.6
2"	90	150	257	250	216	112	3.3