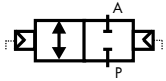


2/2 WAY PISTON ACTUATED VALVE G 1/2" ÷ 2" DOUBLE ACTING – STAINLESS STEEL



double acting
flow over / under seat

TECHNICAL SPECIFICATIONS

Media: water, oil, air, aggressive media and steam ①
 Media temperature: -10°C ÷ +180°C
 Ambient temperature: -10°C ÷ +60°C
 Pilot media: air, inert gases
 Body material: cast AISI 316L (CF3M), see page 37
 Bonnet material: cast AISI 316L (CF3M), see page 37
 Actuator body material: Polyamide PA6 (reinforced fiberglass 30%)
 Seal material: PTFE type TFM 1600
 Position indicator as standard
 Valves DN32-DN50 complying with 97/23 Directive Category I

BENEFITS

Waterhammer-free design (with flow direction 2 → 1)
 Actuator housing rotation 360°
 Design suitable for vacuum applications up to 10⁻² mbar

OPTIONS

Manual override (e.g. Code DPG205STWM0) see page 28
 Stroke regulator (e.g. Code DPG210STJR0) see page 28
 Travel switch (e.g. Code DPG208STZ10) see page 28
 NPT Connection (e.g. Code DPN205STW00)
 Welded ends see page 17

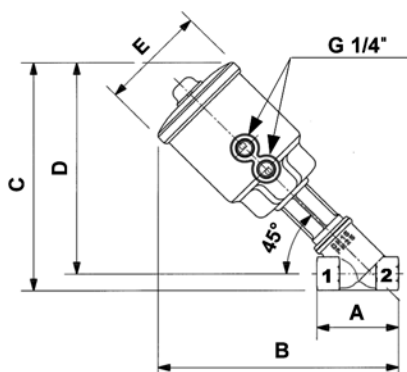
TYPE: REGULAR DA



SELECTION TABLE

VALVE	Connection	DN	Flow rate Kvs	Working pressure ①		Flow direction	Pilot pressure ②		Actuator Ø
				min	max		min	max	
Code	[ISO 228 G]	[mm]	[l/min]	[barg]	[barg]	-	min [barg]	max [barg]	[mm]
DPG205STW00	1/2"	15	87	0	16	1 ↔ 2	1.8	2	63
DPG206STX00	3/4"	20	164	0	16	1 ↔ 2	2	3.8	
DPG207STY00	1"	25	260	0	16	1 ↔ 2	3	5	
DPG208STZ00	1 1/4"	32	410	0	16	1 ↔ 2	4.5	6	
DPG209STK00	1 1/2"	40	700	0	16	1 ↔ 2	6.5	7	
DPG210STJ00	2"	50	950	0	12	1 ↔ 2	9	10	

① Steam: max working pressure 10 bar (9 barg); ② Minimum pilot pressure at the max working pressure; for lower working pressures please refer to the comparative charts



DIMENSIONS & WEIGHTS

Connection	Actuator Ø	A	B	C	D	E	Weight
[ISO 228 G]	[mm]	[mm]	[mm]	[mm]	[mm]	[mm]	[kg]
1/2"	63	65	192	184	171	85	1.2
3/4"	63	75	198	192	176	85	1.3
1"	63	90	212	205	185	85	1.5
1 1/4"	63	110	225	217	193	85	1.9
1 1/2"	63	120	230	225	198	85	2.1
2"	63	150	248	241	207	85	2.9