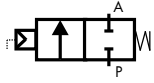


2/2 WAY PISTON ACTUATED VALVE G 1/2" ÷ 2" – AISI 316L HIGH TEMPERATURE VERSION



normally closed
flow over seat

TECHNICAL SPECIFICATIONS

Media: water, oil, air, aggressive media and steam ❶
 Media temperature: -10°C ÷ +200°C
 Ambient temperature: -10°C ÷ +60°C
 Pilot media: air, inert gases
 Body material: cast AISI 316L (CF3M), see page 37
 Bonnet material: cast AISI 316L (CF3M), see page 37
 Actuator body material: Polyamide PA66 (reinforced fiberglass 30%)
 Seal material: PTFE type TFM 1600
 Position indicator as standard
 Valves DN32-DN50 complying with 97/23 Directive Category I

BENEFITS

Actuator housing rotation 360°

OPTIONS

Manual override (e.g. Code PG205STW0H) see page 28
 Stroke regulator (e.g. Code PG210STJR0H) see page 28
 Travel switch (e.g. Code PG208LTZ0H) see page 28
 NPT Connection (e.g. Code PN205STW0H)
 Optional connections: please refer to page 17 welded ends,
 page 18 flanged, pages 19 to 21 sanitary clamps

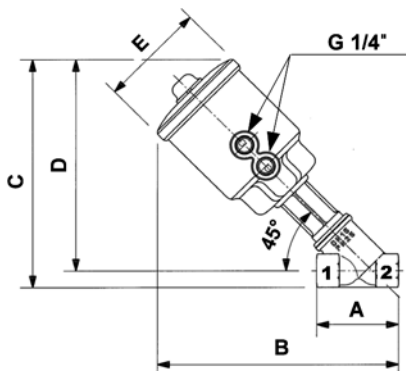
TYPE: REGULAR HIGH TEMPERATURE (NC)



SELECTION TABLE

VALVE	Connection	DN	Flow rate Kvs	Working pressure ❶		Flow direction	Pilot pressure ❷		Actuator Ø
				min	max		min	max	
Code	[ISO 228 G]	[mm]	[l/min]	[barg]	[barg]	[1 → 2]	[barg]	[barg]	[mm]
PG205STW0H	1/2"	15	87	0	20	over seat	3.7	10	63
PG206STX0H	3/4"	20	164	0	20	over seat	4.4	10	
PG207STY0H	1"	25	260	0	20	over seat	5	10	
PG208LTZ0H	1 1/4"	32	410	0	16	over seat	3.5	8	90
PG209LTK0H	1 1/2"	40	700	0	16	over seat	4	8	
PG210LTJ0H	2"	50	950	0	15	over seat	6.5	8	

❶ Steam: max working pressure 14.5 barg; ❷ Minimum pilot pressure at the max working pressure; for lower working pressures please refer to the comparative charts



DIMENSIONS & WEIGHTS

Connection	Actuator Ø	A	B	C	D	E	Weight
[ISO 228 G]	[mm]	[mm]	[mm]	[mm]	[mm]	[mm]	[kg]
1/2"	63	65	192	184	171	85	1.2
3/4"	63	75	198	192	176	85	1.3
1"	63	90	212	205	185	85	1.5
1 1/4"	90	110	234	227	202	112	2.4
1 1/2"	90	120	239	235	207	112	2.6
2"	90	150	257	250	216	112	3.3