

ACCESSORIES

FEATURES AND BENEFITS

With this kit a position switch can be installed to detect the position of valve by means of an electrical signal.

- Suitable for all valves
- Simple to retrofit
- Offers an optical view of the valve position through the upper sight dome
- Suitable for magnetic or inductive commercial switches with M12 or M8 thread upon customer's request

How to order:

- Code 857 018 00-
- Switch and plug not included (see below)

TECHNICAL SPECIFICATIONS

M&M offers 2 types of standard magnetic switches to be purchased in addition to the conversion kit.

Other types of switches can be outsourced directly by the customer, provided that they comply with M&M kit mounting specifications.

MAGNETIC SWITCHES

Technical specifications	Type A - code 680 001 00-	Type B - code 680 002 00-
Contact:	free NC, NO switch	free NC, NO switch
Repeatability:	± 0,3 mm	± 0,3 mm
Temperature limits:	- 25° C ÷ + 100° C	- 25° C ÷ + 100° C
Protection class:	IP 67	IP 67
Max switching voltage:	500 V	150 V
Max switching current:	0,5 A	1 A
Max switching power:	30 W/VA	20 W/VA
Contact actuation time:	4,5 ms	2 ms
Connection:	plug to screw clamp connection DIN IEC 60947/5/2	with cable (5 m)
Cable:	3 x 0,25 mm ²	3 x 0,25 mm ²

TYPE A: SWITCH + CONNECTOR

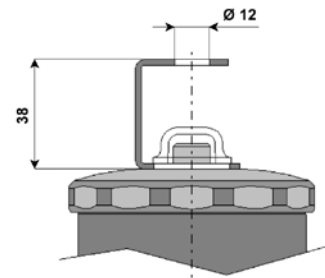


600 012 00-

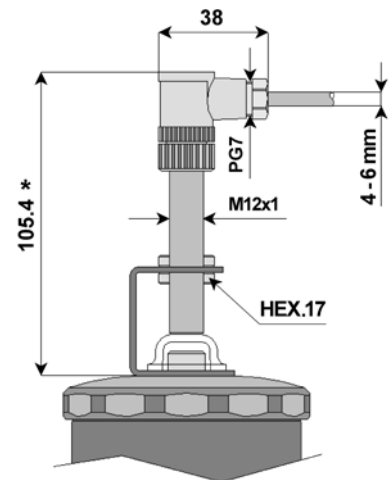


680 001 00-

TRAVEL SWITCH CONVERSION KIT



MAGNETIC SWITCH FOR CONVERSION KIT



* Code 680 002 000 = 65 mm high

TYPE B: SWITCH AND CABLE (5m)



680 002 00-