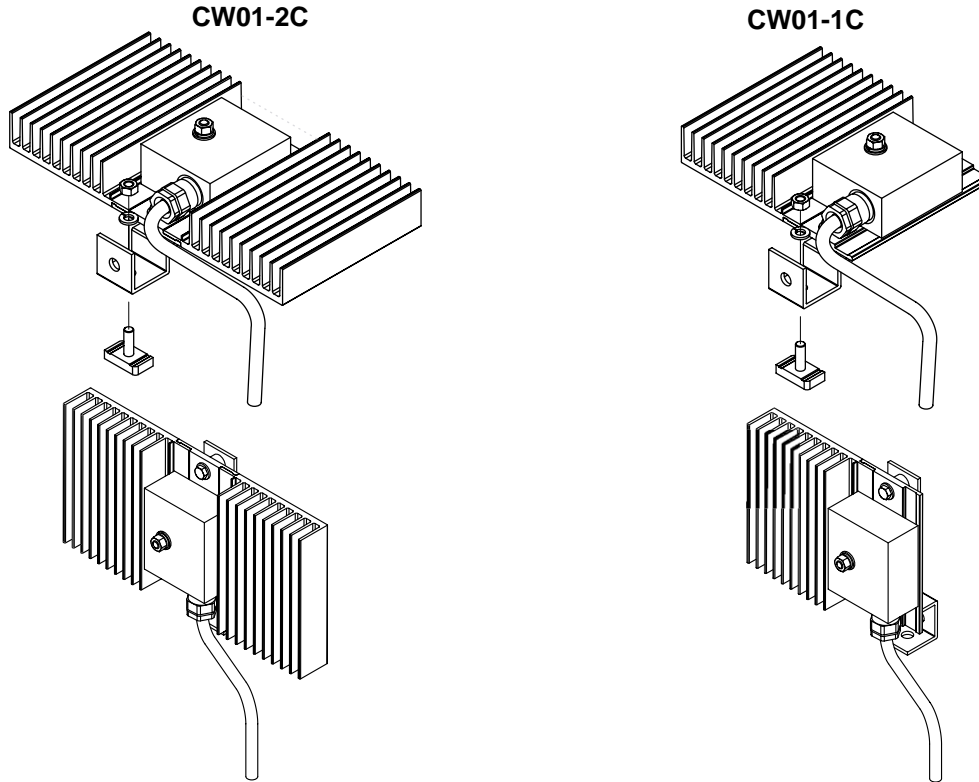




CW SERIES FINNED HEATER 500 & 700 SERIES ENCLOSURES

The CW heater is a conductive block fitted with variable heat dissipating fins. This heater provides efficient freeze protection in insulated enclosures.



Options Selection

	120V	240V	277V	1 FIN	2 FINS
100W	CW01	CW02	—	-1C	-2C
150W	CW11	CW12	CW17	—	-2C
200W*	CW21	CW22	CW27	—	-2C

* Recommend installation with independent temperature switch in enclosure set less than 30°C.

Complete part number by adding suffix 1C or 2C to desired wattage and voltage selected.
Example: 120V, 100W heater with 2 fins is part number CW01-2C.

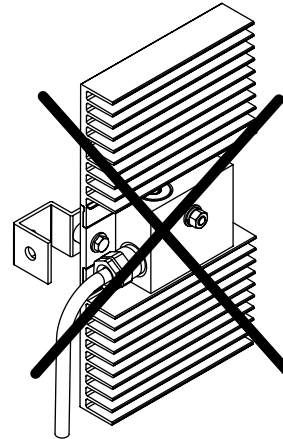
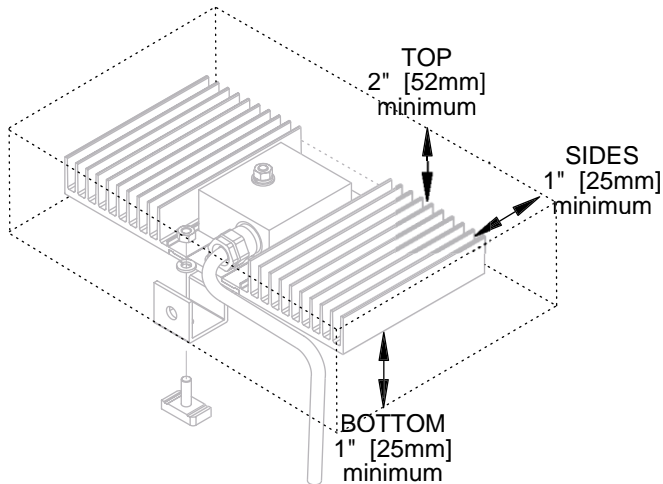
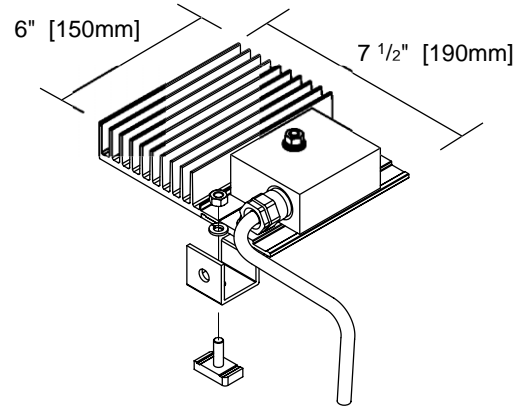
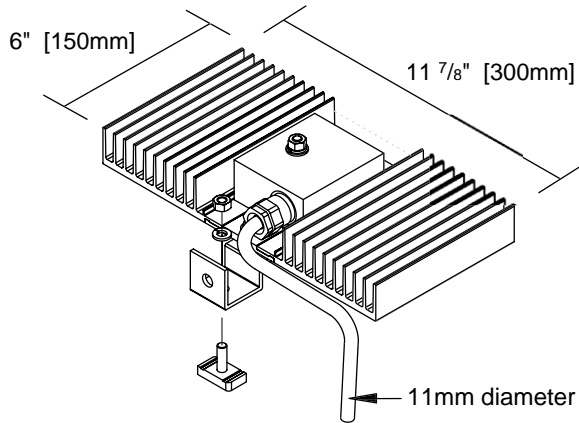
Performance

Enclosure	Minimum Ambient		Max Enclosure Temp @ 40C	Heater Wattage
	1C	2C		
C31	-45C	-	60C	100
C5	-	-50C	60C	100
A1	-	-40C	62C	100
A2	-	-40C	64C	150
C14	-	-40C	64C	150
A501 or A502	-	-5C	52C	150
A701 or A702	-	-40C	62C	150

We define freeze protection as maintaining any point inside an O'Brien enclosure listed at +5C with worst case conditions that include a wind speed of 30 km/hr, mounting rails, parting plates and enclosure windows.



CW SERIES FINNED HEATER 500 & 700 SERIES ENCLOSURES



Specifications subject to change without notice.



Worldwide Offices:

USA: 1900 Crystal Industrial Court • St. Louis, Missouri 63114 • Ph: 314/236-2020 • Fax: 314/236-2080

BELGIUM: Mallekotstraat 65 • B 2500 Lier, Belgium • Ph (+32) 3 491 9875 • Fax (+32) 3 491 9876

CANADA: Suite 400 • 609 14th Street NW • Calgary, AB T2N 2A1 • Ph 403/730-7277 • Fax 403/730-7279

obcorp@obcorp.com • www.obcorp.com