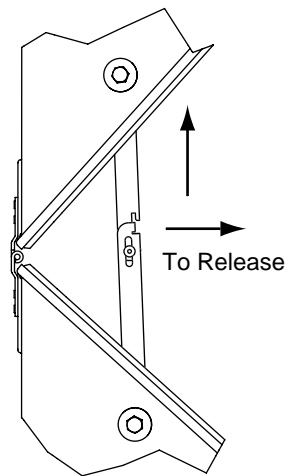
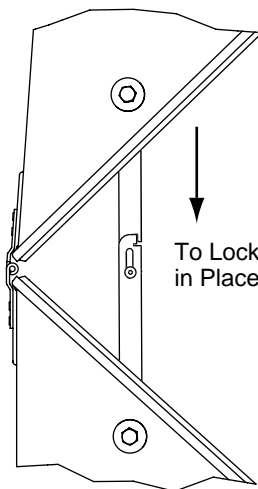
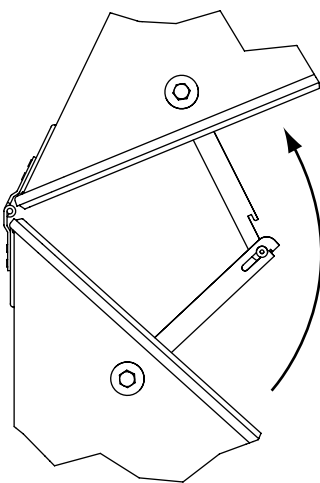
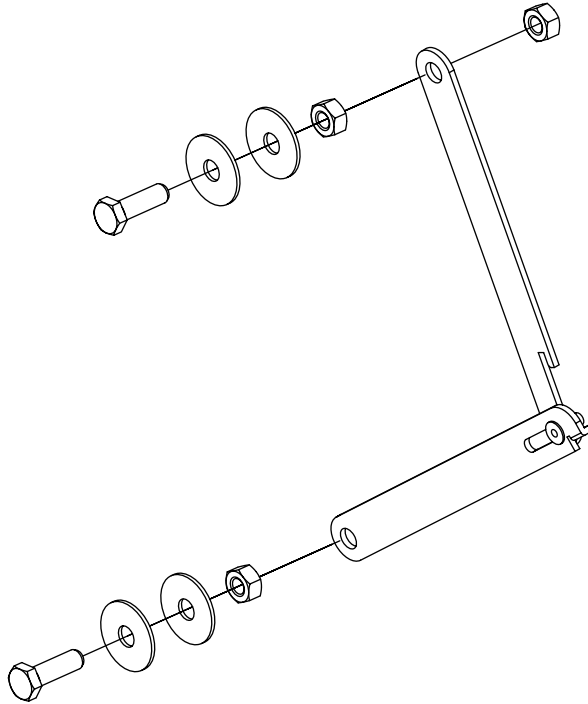




LID SUPPORT 500 & 700 SERIES ENCLOSURES

The SS lid support is a self latching design so you can raise the lid into the supported position with one hand. The lid support is installed on the right or left side of the enclosure depending upon the model number.



©2004 O'Brien Corporation • QLT-GRPLID • 1 MAR 04

Specifications subject to change without notice.



ISO 9001:2000
REGISTERED

Worldwide Offices:

USA: 1900 Crystal Industrial Court • St. Louis, Missouri 63114 • Ph: 314/236-2020 • Fax: 314/236-2080

BELGIUM: Mallekotstraat 65 • B 2500 Lier, Belgium • Ph (+32) 3 491 9875 • Fax (+32) 3 491 9876

CANADA: Suite 400 • 609 14th Street NW • Calgary, AB T2N 2A1 • Ph 403/730-7277 • Fax 403/730-7279

obcorp@obcorp.com • www.obcorp.com