



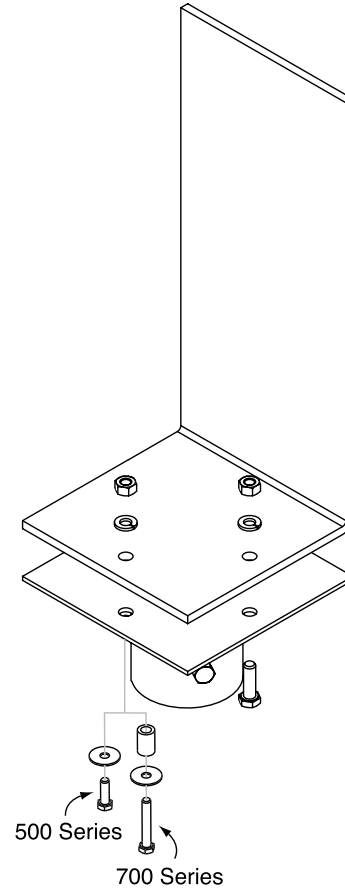
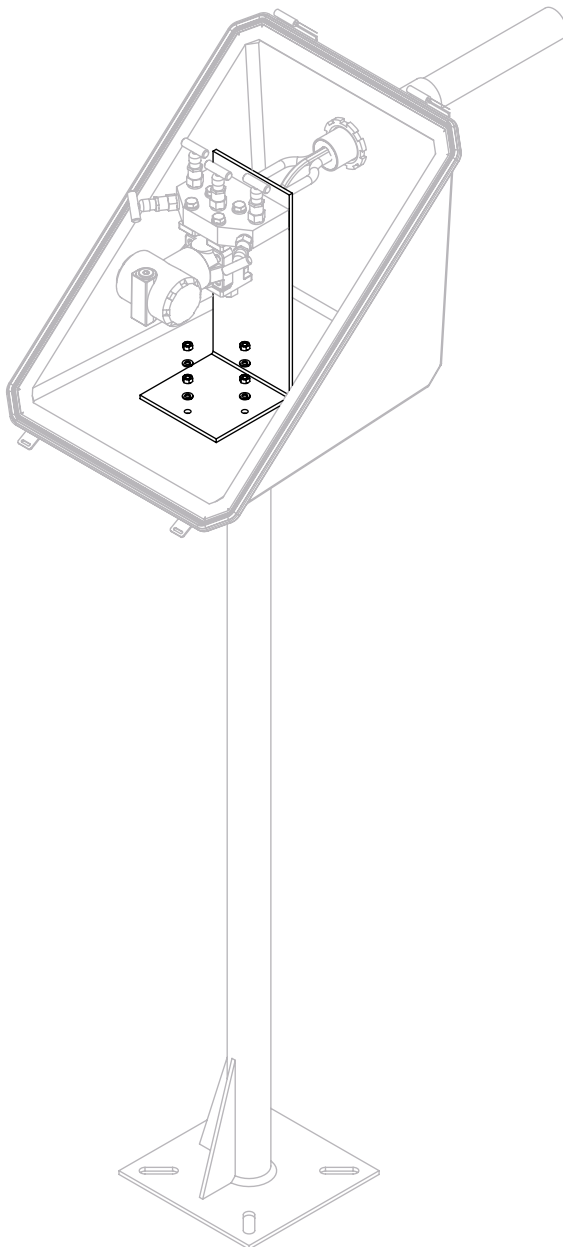
# MK7 MOUNTING KIT 500 & 700 SERIES ENCLOSURES

The MK7 mounting kit combines a 350mm tall x 150mm (13 3/4" x 6") wide vertical bracket with a standard 2" NB pipe enclosure mounting socket. The vertical bracket can be drilled to accommodate face mounted manifolds. By using the internal bracket impulse line fittings and connection tubing are positioned inside the enclosure and protected from freezing.

Mounting kits are used with Vipak 500 and 700 series enclosures.

The MK7 may be used with the Trakmount® system for easy front to back adjustment of transmitter and manifold position.

## MK7 WITH MANIFOLD MOUNTING



©2004 O'Brien Corporation • QLT-GRP/MK7 • 1 MAR 04

Specifications subject to change without notice.



ISO 9001:2000  
REGISTERED

### Worldwide Offices:

**USA:** 1900 Crystal Industrial Court • St. Louis, Missouri 63114 • Ph: 314/236-2020 • Fax: 314/236-2080

**BELGIUM:** Mallekotstraat 65 • B 2500 Lier, Belgium • Ph (+32) 3 491 9875 • Fax (+32) 3 491 9876

**CANADA:** Suite 400 • 609 14th Street NW • Calgary, AB T2N 2A1 • Ph 403/730-7277 • Fax 403/730-7279

**obcorp@obcorp.com • www.obcorp.com**