
**Housing Material:**

- P250GH (1.0460), ASTM-A 105

**Nominal Diameter:** DN15, DN20, DN25, DN40, DN50

**Connections:**

- Flanges DN15, DN20, DN25, DN40, DN50, acc. DIN EN 1092-1, PN40
- Flanges ½", ¾", 1", 1½", 2", according ANSI B 16.5, Class 150/300
- Female thread G½", G¾", G1" (BSP) according DIN ISO 228-1
- Female thread ½", ¾", 1" NPT according ANSI B 1.20.1
- Butt weld DN15, 20, 25, according DIN EN 12627 and ANSI B 16.25
- Socket weld DN15, 20, 25, according DIN EN 12760 and ANSI B 16.11
- Other connections on request

**Nominal Pressure Stage:** PN 40

**Media:** Steam and condensate

**Function:** Discharge and venting of steam systems. A temperature drop opens while an increase of temperature closes the valve. At steam temperature the valve closes.

**Special characteristics:**

- continuous and intermitted condensate discharge
- adjustable undercooling
- usable at low pressure differences
- resistant to water hammer
- good ventilation properties
- Valve also acts as a backstop

**Installation:** Horizontal or vertical

**Housing Operating Limits:**

max. operating pressure (bar g)	40	37,1	33,3	27,6	23,8
max. operating temperature (°C)	-10/20	100	200	300	400

**Function limit for inlet unit: max. pressure difference=20 bar**
**CE-Mark:**

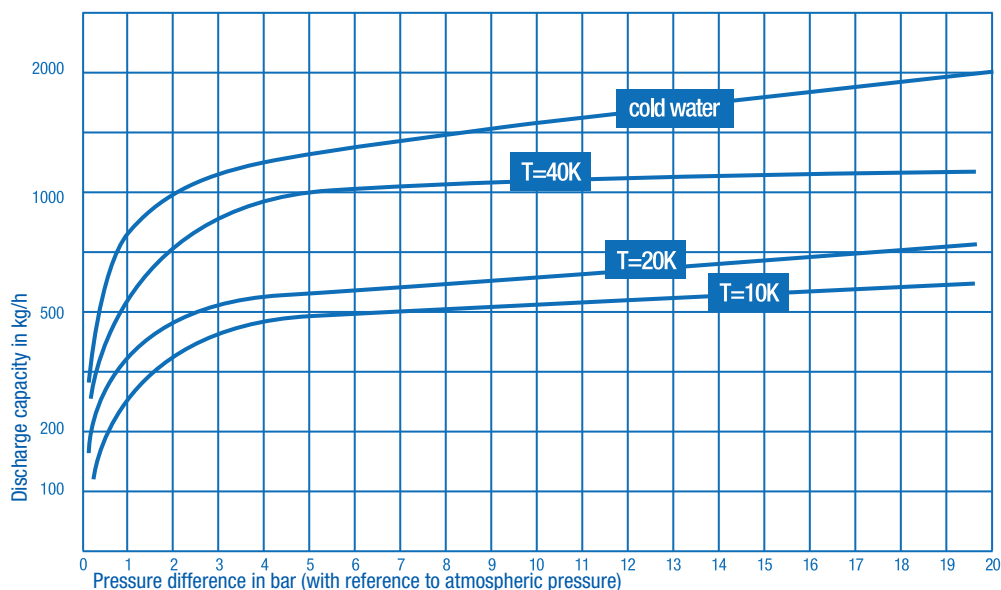
The pressure equipment described is a pressure-keeping component in accordance with the Pressure Vessel Directive 97/23/EC.

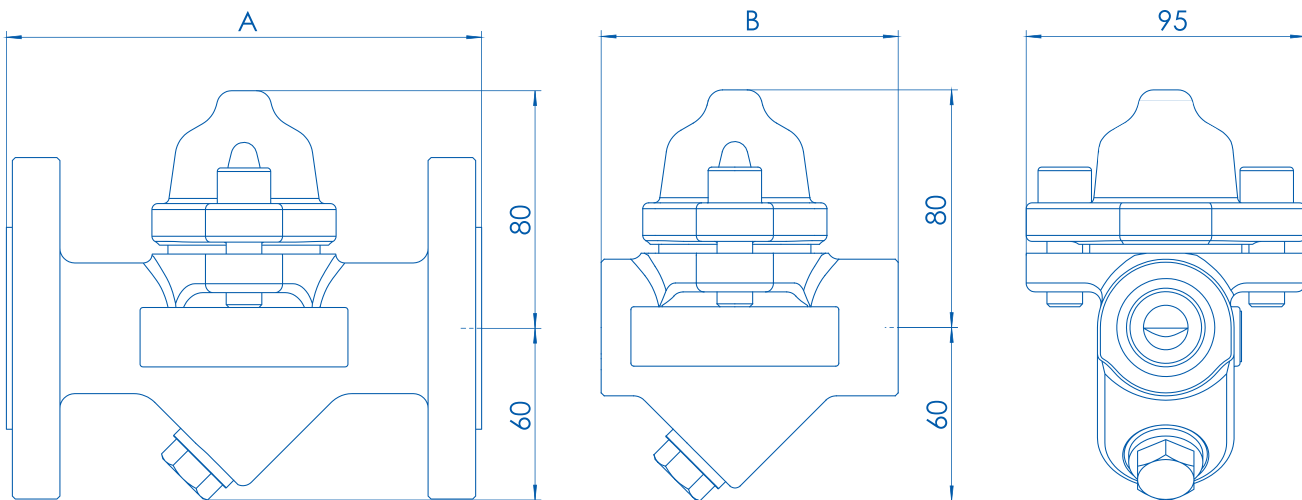
**DN40, DN50:** Conformity verified through the identifying mark: CE 0525.

**DN15, DN20, DN25:** according to art 3, sub. 3, no CE-Mark.

**Please state the following when making inquiries/placing orders:**

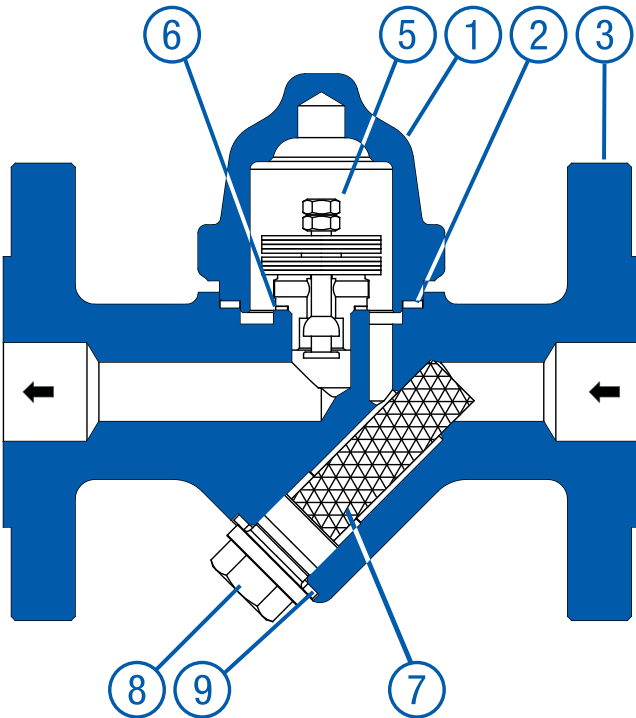
Medium, density, initial pressure, counter-pressure, temperature, quantity of condensation (kg/h) and the required condensate undercooling.

**Discharge capacity:**



**Dimensions (in mm), Weights (in kg)**

Connections	Flanges					Thread			Butt Weld			Socket Weld		
	DN15 ½"	DN20 ¾"	DN25 1"	DN40 1½"	DN50 2"	½"	¾"	1"	½"	¾"	1"	½"	¾"	1"
A	150	150	160	230	230	-	-	-	-	-	-	-	-	-
B	-	-	-	-	-	100	100	120	120	120	120	120	120	120
Weights	4,1	4,7	5,2	10	11	2,5	2,5	2,6	2,4	2,4	2,5	2,5	2,5	2,6

## Spare Parts



- 1 **Housing cap:** ASTM-A 105
- 2 **Housing gasket:** Graphite with steel sheet
- 3 **Housing:** P250GH
- 4 **Housing screws (not shown):** ISO 4762 - A4-70 - M12x35
- 5 **Bimetal valve complete\*:** corrosion resistant stainless bimetal
- 6 **Gasket for Bimetal valve:** Soft iron
- 7 **Strainer:** 1.4301
- 8 **Locking Screw:** G½" (BSP), DIN 910 - 5.8
- 9 **Gasket for locking screw:** Soft iron

\* Single parts for the subassemblies cannot be supplied because of the requirements to tightness.

To ensure correct part delivery, please specify the product number 2254, connection size and part number for spare part orders.