
**Housing-Material:**

- ASTM A217 Gr.WC6

**Nominal diameters:** DN15, DN20, DN25

**Connections:**

- Female thread G 1/2"-1" (BSP) acc. DIN ISO 228-1
- Female thread Rp 1/2"-1" (BSPT) acc. DIN 2999
- Female thread 1/2"-1" NPT acc. ANSI B 1.20.1
- Socket welds DN 15-25 acc. DIN EN 12760 as ANSI B 16.11
- Flanges DN 15-25, acc. DIN EN 1092-1, PN100 (optional)
- Flanges 1/2"-1", acc. ANSI B 16.5, Class 300 & 600 (optional)
- Other connections on request

**Nominal pressure stage:** PN 63

**Operation limits:**

	Thread	Socket weld
Max. operating pressure (bar g)	31,5	62
Max. operating temperature (°C)	427	525

**Min. operating pressure:** 0,25 bar g

**Max. back pressure:** not to exceed 80% of initial pressure

**Media:** Steam/-condensate

**Function:** Periodic removal of condensate and ventilation of steam systems by using the thermodynamic effect.

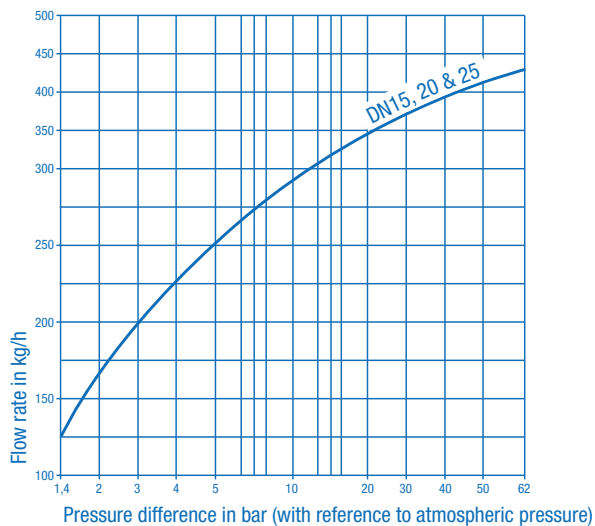
**Special characteristics:**

- compact design
- adapts itself automatically to the operating conditions
- drains the condensate with very low heat loss
- tough valve design
- resistant against water shocks

**Installation:** preferably horizontal, vertical possible

**Optional:**

- Weld-on flanges

**Performance:**

**CE - Mark:**

The pressure equipment is in accordance with the Pressure Vessel Directive 97/23/EC, Article 3, subsection 3 and bears no CE mark.

**Please state the following when making inquiries/placing orders:**

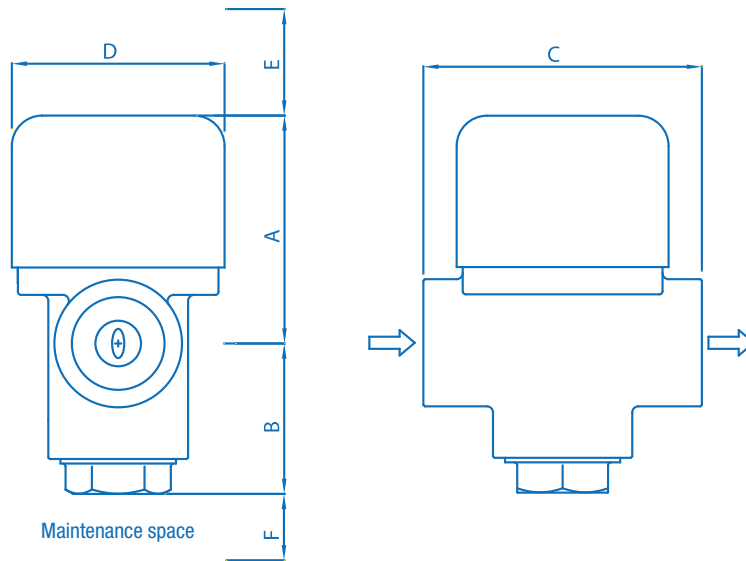
Medium, initial pressure, counter-pressure, temperature, quantity of condensation (kg/h).



# Installation Dimensions

RD331

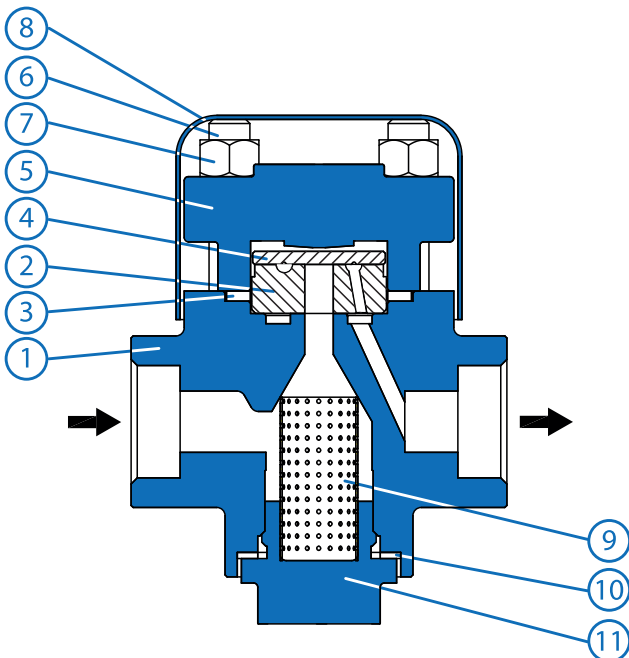
PN 63



Dimensions (in mm) Weight (in kg)

DN	A	B	C	D	E	F	Weight
15 (1/2")	82	50	92	70	50	20	2,2
20 (3/4")	82	50	92	70	50	20	2,2
25 (1")	82	50	100	70	50	20	2,4

## Spare Part



- 1 **Housing:** ASTM A217 Gr.WC6
- 2 **Valve seat\*:** ASTM A681 Gr.D2
- 3 **Housing gasket:** ASTM A240 Tp.304 + graphit
- 4 **Disc\*:** ASTM A681 Gr.D2
- 5 **Cover:** ASTM A217 Gr.WC6
- 6 **Set of stud bolts:** ASTM A193 Gr.B16
- 7 **Set of nuts:** ASTM A194 Gr.8M
- 8 **Insulating cap:** ASTM A240 Tp.304
- 9 **Strainer:** ASTM A240 Tp.304
- 10 **Gasket for locking screw:** ASTM A240 Tp.304 + graphit
- 11 **Screw plug for strainer:** ASTM A217 Gr.WC6

\* Due to sealing requirements, marked items cannot be supplied as individual parts.

To ensure correct parts delivery, specify part number, works standard sheet number RD331 and DN.