

## Specifications

For other materials or modifications, please consult TESCOM.

### OPERATING PARAMETERS

Pressure rating per criteria of ANSI/ASME B31.3

#### Maximum Inlet Pressure

See Part Number Selector

#### Maximum Outlet Pressure

See Part Number Selector

#### Design Proof Pressure

150% of rated pressure

#### Leakage

**Non-Metal Seat:** Bubble-tight

**Metal Seat:** 2 drops/minute at 150 SUS at 2500 psig / 172 bar

#### Operating Temperature

-15°F to 165°F / -26°C to 73°C

#### Flow Capacity

$C_v = 0.02, 0.06, 0.12, \text{ or } 0.30$

### MEDIA CONTACT MATERIALS

#### Body

316 Stainless Steel or Brass

#### Seat, Vent, and Main Valve

See Part Number Selector

#### O-Ring

See Part Number Selector

#### Back-up Ring

Teflon®

#### Filter\*

**26-201XX-XX:** Bronze

**26-202XX-XX:** 300 Series Stainless Steel

#### Remaining Parts

316 Stainless Steel and 17-4 Stainless Steel

### OTHER

#### Cleaning

CGA 4.1 and ASTM G93

#### Weight (approximately)

5.5 lbs / 2.5 kg

\*no filter with metal seat

Teflon® is a registered trademark of E.I. du Pont de Nemours and Company.



TESCOM 26-2000 Series high pressure, low flow piston sensed regulator is available in dome, spring and air load versions. This regulator comes with segregated captured venting standard with inlet pressure ratings of 6000-15,000 psig / 413-1034 bar.

## Applications

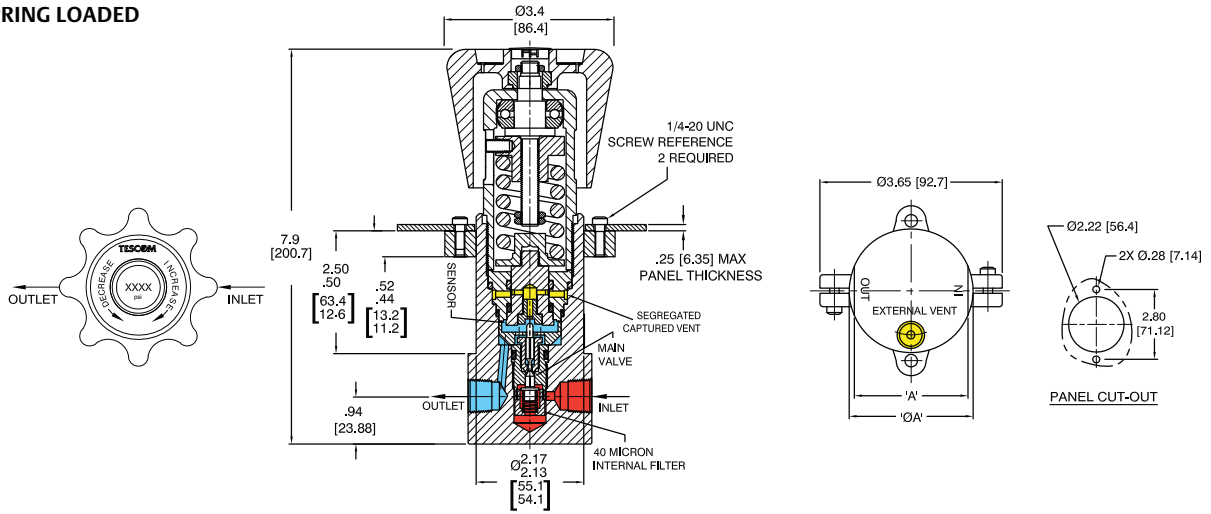
- R&D labs
- Pressure filling
- Calibration testing
- Burst testers
- Component testing
- High pressure hydraulic or pneumatic applications

## Features and Benefits

- Segregated captured vent is standard
- Three standard loading methods - spring, dome, and air actuated
- Available with soft and metal-to-metal seating
- Standard 40 micron internal filter (soft seated models) increases service life
- High flow version is available with  $C_v$  of 0.30
- An excellent choice to be used with the TESCOM ER3000 Electropneumatic Controller

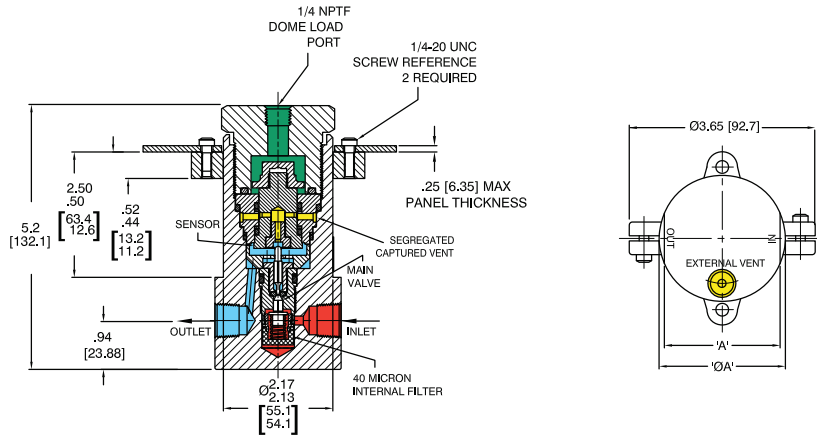
26-2000 Series Regulator Drawings

SPRING LOADED

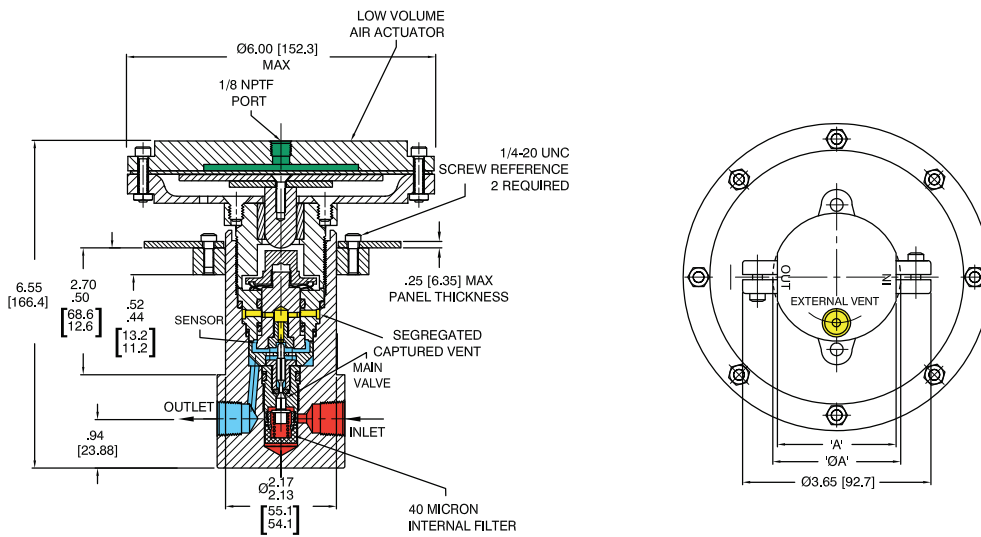


DOME LOADED

INLET & OUTLET PORT	'A'
ALL 1/4 EXCEPT NPTF	2.30
1/4 NPTF	Ø2.48
3/8 NPTF	Ø2.48
ALL 3/8 EXCEPT NPTF	2.90
1/2 MS33649	2.90
1/2 NPTF	Ø3.20



AIR LOADED

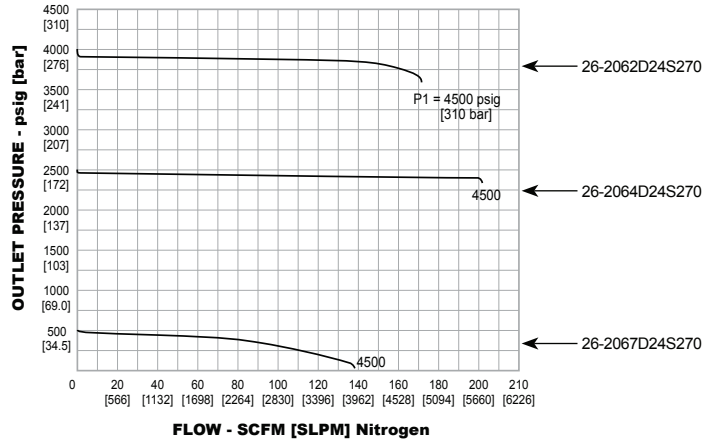


All dimensions are reference & nominal  
Metric [millimeter] equivalents are in brackets

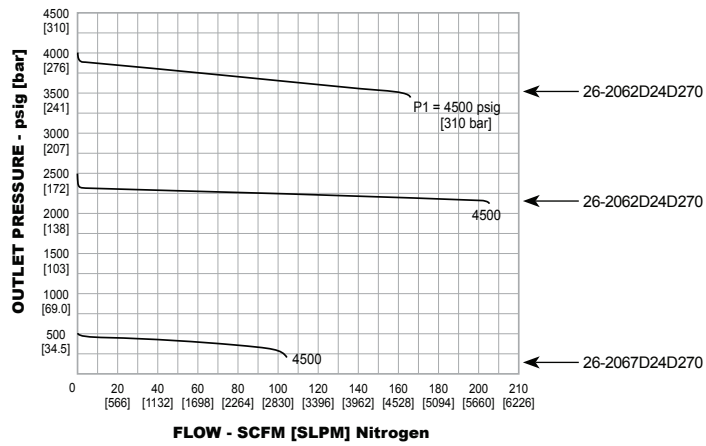
## 26-2000 Series Regulator Flow Charts

For more information on how to read flow curves, please refer to the Flow Curves and Calculations document (debul2007x012) in the TESCOM catalog or on [www.tescom.com](http://www.tescom.com).

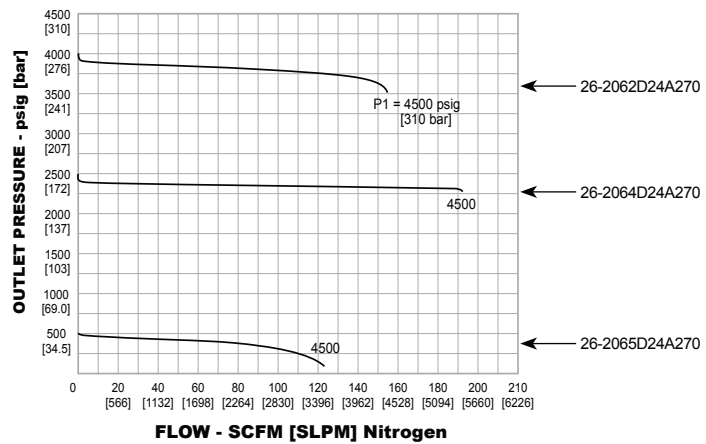
### SPRING LOADED



### DOME LOADED



### AIR LOADED



## 26-2000 Series Regulator Part Number Selector

Repair Kits, Accessories & Modifications may be available for this product. Please contact TESCOM for more information.

Example for selecting a part number:

S – Spring load  
D – Dome load  
A – Air load

BASIC SERIES	BODY MATERIAL	MAXIMUM INLET PRESSURE	OUTLET PRESSURE	SOFT GOODS MATERIAL		INLET AND OUTLET PORT TYPE	VENT PORT	INLET AND OUTLET PORT SIZE	FILTER OPTION	MAIN VALVE AND VENT SEAT MATERIAL	GAUGE PORT OPTIONS 1/4" NPTF
				O-RING	BACKUP RING						
26-20	1 – Brass 6 – 316 Stainless Steel 9 – 316 Stainless Steel	600 psig / 413 bar 10,000 psig / 690 bar 15,000 psig <sup>1</sup> / 1034 bar	<b>Spring Load</b> 1 – 200-10,000 psig (Stainless steel body only) 2 – 50-6000 psig / 3.4-413 bar 3 – 25-4000 psig / 1.7-275 bar 4 – 15-2500 psig / 1-172 bar 5 – 10-1500 psig / 0.7-103 bar 6 – 5-800 psig / 0.35-55 bar 7 – 5-500 psig / 0.35-35 bar <b>Dome Load</b> 1 – 200-10,000 psig / 14-690 bar (Stainless Steel body only) 2 – 50-6000 psig / 3.4-413 bar 7 – 5-500 psig / 0.35-35 bar <b>Air Load</b> 1 – 200-10,000 psig / 14-690 bar (Stainless Steel body only) 2 – 50-6000 psig / 3.4-413 bar 4 – 15-2500 psig / 1.7-275 bar 5 – 10-1500 psig / 0.7-103 bar	B – Buna-N (90 durometer) D – Buna-N (70 durometer) N – Neoprene T – Viton® U – Urethane V – Kalrez® Z – E.P	Teflon® Teflon® Teflon® Teflon® Teflon®	1 – SAE 1/4" SAE 2 – NPTF 1/4" NPTF 3 – MS33649 1/4" MS33649 4 – High pressure/Aminico 6 – Medium pressure/Slimline	1/4" SAE 1/4" NPTF 1/4" NPTF 1/4" NPTF	4 – 1/4" 6 – 3/8" 8 – 1/2" <sup>2</sup>	1 – .02 (not available for metal seated models) 2 – 0.06 3 – 0.12 <sup>3</sup> (metal and/or Vespel® seat only)	5 – 17-4 Stainless Steel 7 – Vespel® 8 – Peek	0 – None 1 – One Outlet Gauge at 90° 2 – Two Gauge Ports at 60° 3 – Two Gauge Ports at 60° (left hand inlet) 4 – Two Gauge Ports at 90° 5 – One Outlet Ports at 90° (left hand inlet)

1. 15,000 psig / 1034 bar inlet requires a CTFE back-up ring on main valve, consult TESCOM.  
2. 1/2" not available in High (Aminico) or Medium (Slimline) pressure ports.  
3. Not available with 15,000 psig / 1034 bar inlet.