

## 26-2900 Series

### Regulators - Relief / Backpressure

D26291387X012

### Specifications

For other materials or modifications, please consult TESCOM.

#### OPERATING PARAMETERS

Pressure rating per criteria of ANSI/ASME B31.3

**Maximum Control Pressure**

1000 psig / 69.0 bar

**Maximum Reference Ranges**

1000 psig / 69.0 bar

**Bias Pressure Ranges**

0, 0-15, 0-30, 0-45 psig / 0, 0-1.0, 0-2.1, 0-3.1 bar

**Design Proof Pressure**

150% maximum rated

**Leakage**

Bubble-tight

**Operating Temperature**

0°F to 165°F / -18°C to 74°C

**Flow Capacity**

$C_v = 2.0$

**Crack-to-Reseat Differential**

**0-15 psig / 0-1.0 bar Range:** 3 psid / 0.21 bar

**0-30 psig / 0-2.1 bar Range:** 5 psid / 0.34 bar



TESCOM 26-2900 Series is a dome loaded, negative bias, backpressure tracking regulator with a balanced main valve. This regulator controls upstream pressures up to 1000 psig / 69.0 bar with spring bias setting.

#### MEDIA CONTACT MATERIALS

**Body**

303 Stainless Steel or Brass

**Seat**

CTFE

**Diaphragm**

(Unreinforced) Viton-A®

**O-Rings**

Viton-A®

**Back-up Rings**

Teflon®

**Remaining Parts**

300 Series Stainless Steel and Brass

#### OTHER

**Cleaning**

CGA 4.1 and ASTM G93

**Weight**

10 lbs / 4.5 kg

Viton® and Teflon® are registered trademarks of E.I. du Pont de Nemours and Company.

### Applications

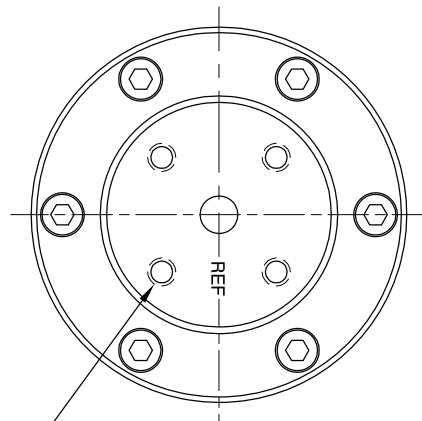
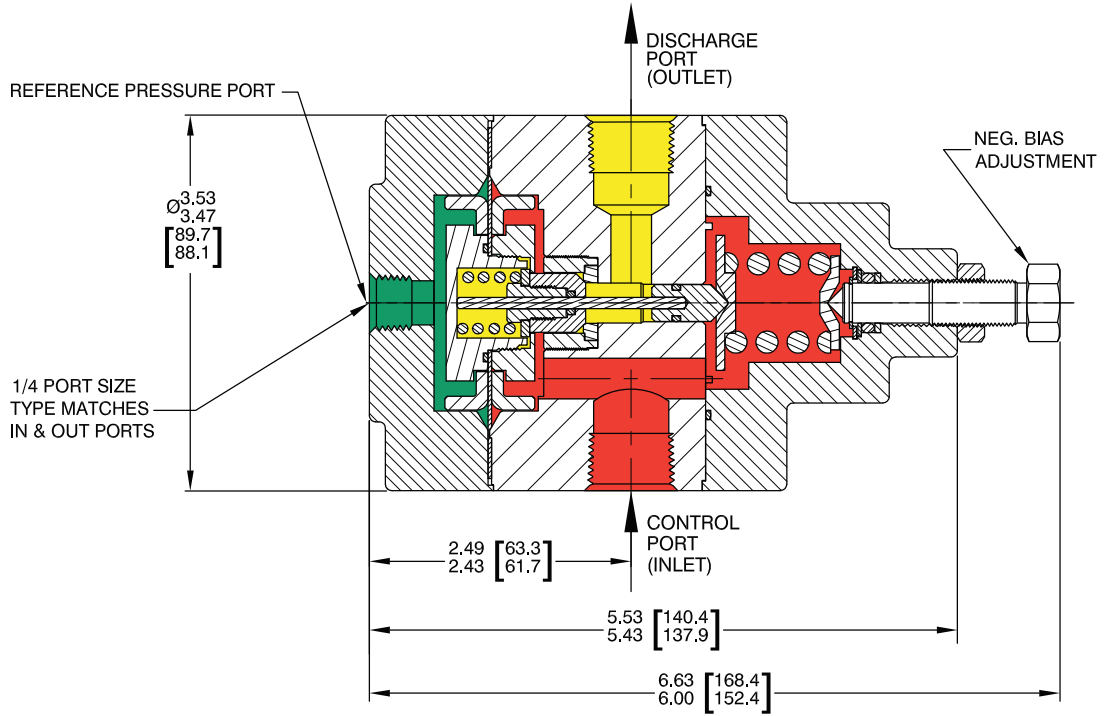
**Constant bias applications:**

- Offshore diving applications
- Dumping exhaled breath from pressure chamber (BIBS)
- Diving bell

### Features and Benefits

- Balanced stem design eliminates the need to adjust bias over a wide range of operating pressures
- High flow capacity:  $C_v = 2.0$
- Diaphragm sensed
- Low accumulation
- Mounts in any position
- Choice of Stainless Steel or Brass construction

26-2900 Series Regulator Drawing

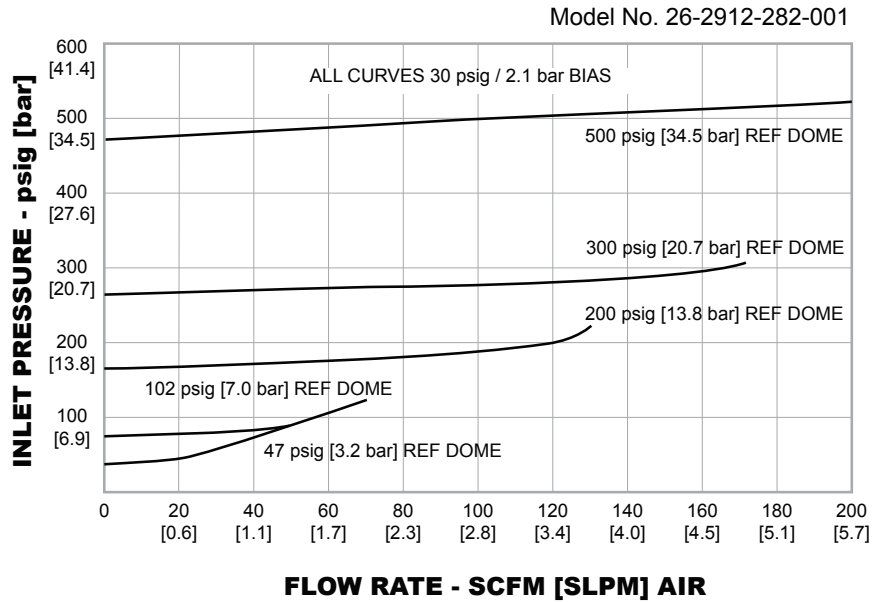


MOUNTING HOLES LOCATED ON Ø1.5 BOLT CIRCLE 1/4-20 UNC (4 REQ'D)

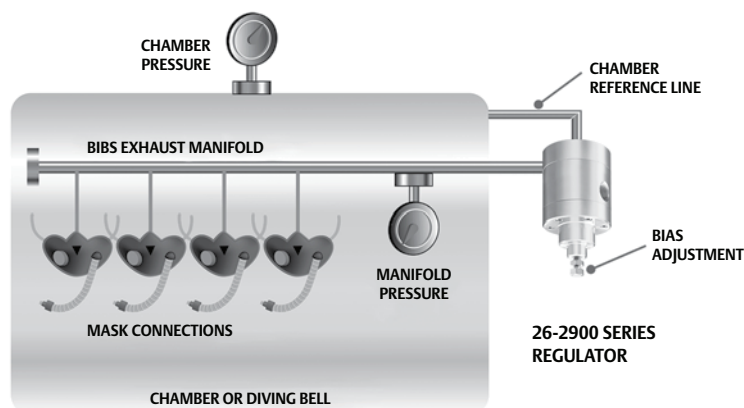
All dimensions are reference & nominal  
Metric [millimeter] equivalents are in brackets

## 26-2900 Series Regulator Flow Chart

For more information on how to read flow curves, please refer to the Flow Curves and Calculations document (debul2007x012) in the TESCOM catalog or on [www.tescom.com](http://www.tescom.com).



## 26-2900 Series Regulator Typical Installations



- Dumping exhaled breath out of a pressure chamber (BIBS)
- Constant bias applications such as offshore diving apparatus

## 26-2900 Series Regulator Part Number Selector

**Repair Kits, Accessories & Modifications may be available for this product. Please contact TESCOM for more information.**

Example for selecting a part number:

**26-29            1                                    2                                    -            2                                    8                                    2                                    A**

BASIC SERIES	BODY MATERIAL	BIAS PRESSURE RANGE	INLET AND OUTLET PORT TYPE	INLET AND OUTLET PORT SIZE	BIAS MODE	FLOW CAPACITY
<b>26-29</b>	1 – Brass 2 – 303 Stainless Steel	<b>0</b> – Zero bias <b>1</b> – 0-15 psig / 0-1.0 bar <b>2</b> – 0-30 psig / 0-2.1 bar <sup>1</sup> 0-25 psig / 0-1.7 bar <sup>2</sup> <b>3</b> – 0-45 psig / 3.1 bar	<b>1</b> – SAE <b>2</b> – NPTF <b>3</b> – MS33649 <b>9</b> – BSP	<b>8</b> – 1/2"	<b>2</b> – Negative	<b>A</b> – C <sub>v</sub> = 2.0
		<div style="border: 1px solid black; padding: 2px; width: fit-content;">           1. Inlet pressures 0-500 psig / 34.5 bar            2. Inlet pressures 500-1000 psig / 34.5-69.0 bar         </div>				