

Specifications

For other materials or modifications, please consult TESCOM.

OPERATING PARAMETERS

Pressure rating per criteria of ANSI/ASME B31.3

Maximum Inlet Pressure

6000 psig / 414 bar

Outlet Pressure Ranges

Spring Loaded: 0-200, 0-400 psig / 0-14, 0-28 bar

Air/Dome Loaded: 0-600 psig / 0-41 bar

Design Proof Pressure

150% maximum pressure

Leakage

Bubble-tight

Ambient Operating Temperature

-15°F to 165°F / -26°C to 74°C

Flow Capacity

$C_v = 0.3$

Maximum Operating Torque

25 in-lbs / 2.8 N•m

Decaying Inlet Characteristic

0.1 per 100 psig / 0.007 per 6.9 bar



TESCOM 44-1500 Series high flow/low pressure regulator controls outlet pressures up to 600 psig / 41 bar. Large area piston provides accurate pressure control and cycle life superior to diaphragm sensed regulators when applied to heavy duty cycling. Features a segregated/captured vent for hydraulic or pneumatic media and is available in two outlet spring ranges. Optional dome or air loaded versions for remote operation or for use with the TESCOM ER3000 Electropneumatic Controller for automation.

MEDIA CONTACT MATERIALS

Body

316 Stainless Steel or Brass

40 Micron Filter

Bronze

Main Valve Seat

Vespel® SP21

Vent Valve Seat

Vespel® SP21

O-Ring

Buna-N, Viton®, Kalrez®, E.P.

Back-up Rings

Teflon®

Remaining Parts

300 Series Stainless Steel, Brass, Monel

OTHER

Cleaning

CGA 4.1 and ASTM G93

Weight

4.75 lbs / 2.2 kg

Teflon®, Viton®, Vespel®, and Kalrez® are registered trademarks of E.I du Pont de Nemours and Company.

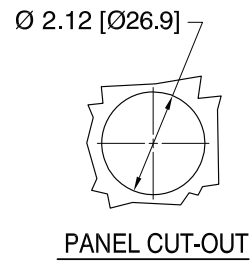
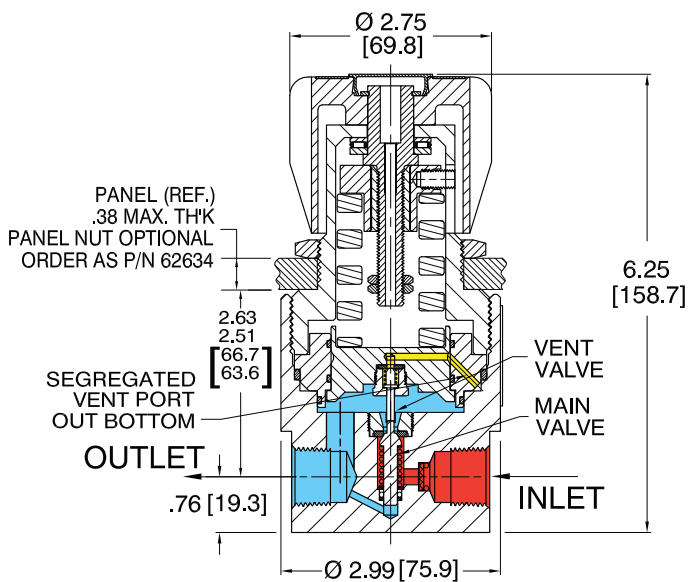
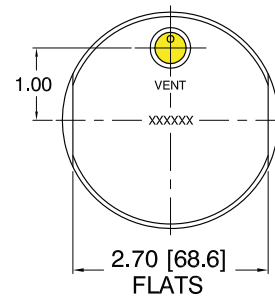
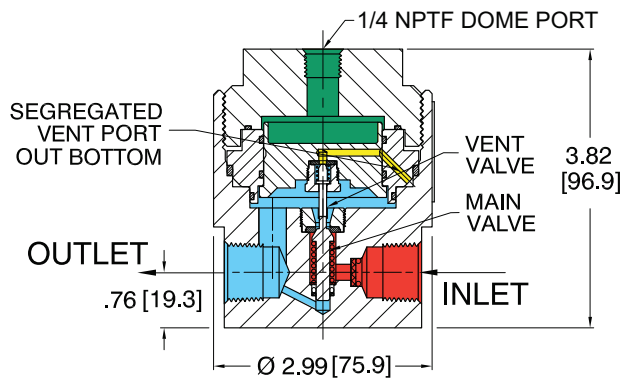
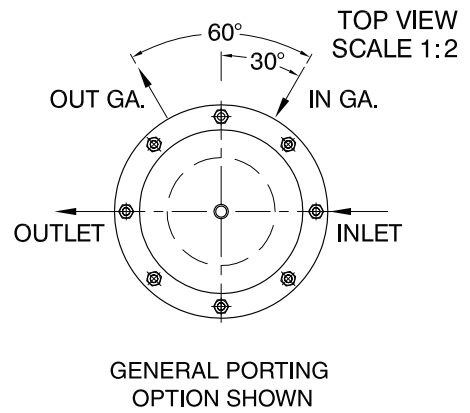
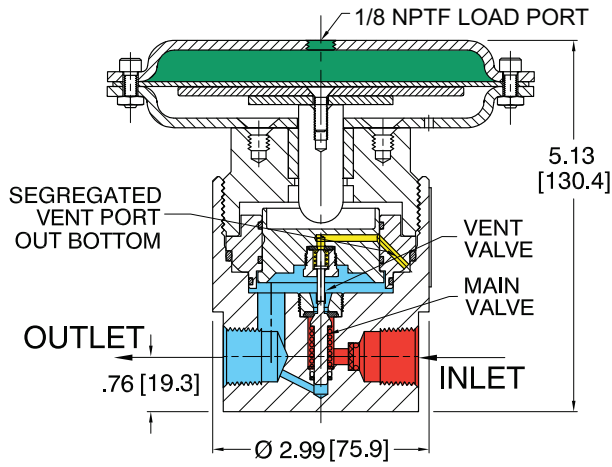
Applications

- Hydraulic testing
- Pneumatic testing

Features and Benefits

- For gaseous and liquid media
- “Segregated and Captured” vent design is standard
- Balanced valve design ensures stable downstream pressure
- 6000 psig / 414 bar maximum inlet
- Low droop
- Large sensor for accurate pressure control
- High flow, low outlet pressures
- Compatible with TESCOM ER3000 Electropneumatic Controller

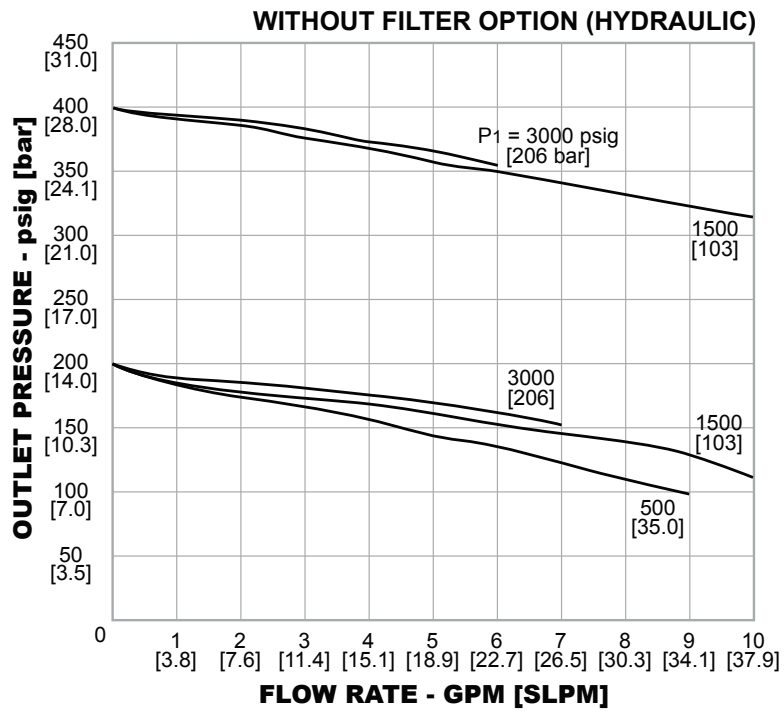
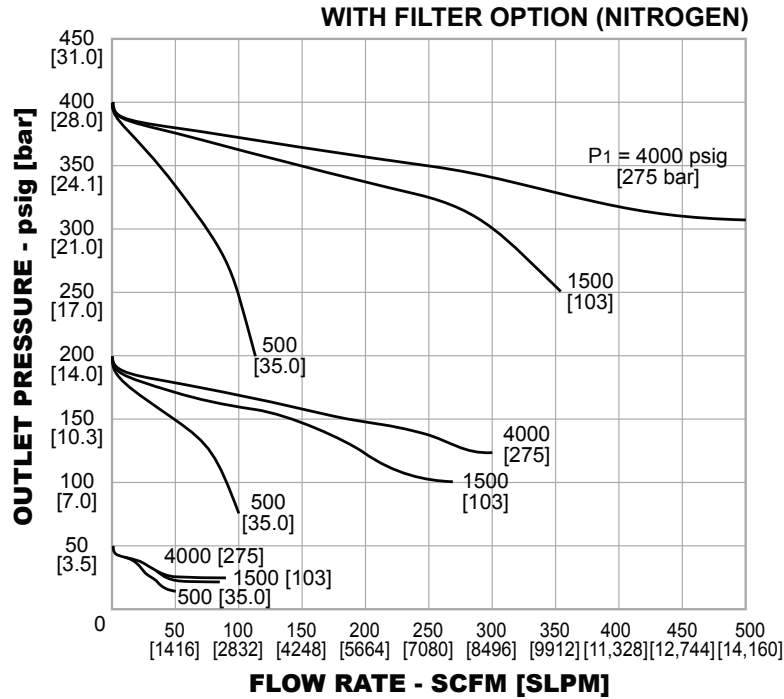
44-1500 Series Regulator Drawings



All dimensions are reference & nominal
Metric [millimeter] equivalents are in brackets

44-1500 Series Regulator Flow Charts

For more information on how to read flow curves, please refer to the Flow Curves and Calculations document (debul2007x012) in the TESCOM catalog or on www.tescom.com.



44-1500 Series Regulator Part Number Selector

Repair Kits, Accessories & Modifications may be available for this product. Please contact TESCOM for more information.

Example for selecting a part number:

BASIC SERIES	BODY MATERIAL	MATERIALS CONTACTING LINE MEDIA	OUTLET PRESSURE	SOFT GOODS MATERIAL			INLET AND OUTLET PORT TYPE	VENT PORT	INLET AND OUTLET PORT SIZE	FILTER OPTION	MAIN VALVE AND VENT SEAT MATERIAL	GAUGE PORT OPTIONS 1/4" NPTF
				O-RING		BACKUP RING						
				DYNAMIC	STATIC							
44-50	1 – Brass 6 – 316 Stainless Steel	1 – Brass, Monel, 300 Series Stainless Steel 6 – Monel, 300 Series Stainless Steel	Spring load only 2 – 10-200 psig 0.7-14 bar 4 – 10-400 psig 0.7-28 bar Air and Dome load only 6 – 10-600 psig 0.7-41 bar	D – Buna-N T – Viton® V – Kalrez® Z – E.P.	Buna-N Viton® Kalrez® E.P.	Teflon® Teflon® Teflon® Teflon®	1 – SAE 1/4" SAE 2 – NPTF 1/4" NPTF 3 – MS33649 1/4" MS33649	6 – 3/8" 8 – 1/2"	2 – WITH Filter* 3 – NO Filter	7 – Vespel® SP21 8 – PEEK	0 – None 1 – One Outlet Gauge at 90° 2 – Two Gauge Ports at 90° 3 – Two Gauge Ports at 60° (left hand inlet) 4 – One Outlet Ports at 90° (left hand inlet)	
*Filter not recommended for liquid service.												

A – Air loaded
D – Dome loaded
S – Spring loaded

44-15 1 4 D 2 8 S 2 7 2