

Specifications

For other materials or modifications, please consult TESCOM.

OPERATING PARAMETERS

Pressure rating per criteria of ANSI/ASME B31.3

Maximum Inlet Pressure 800 psig / 55.2 bar
Controlled Pressure Ranges 40-150, 40-300, 100-700, 100-800 psig 2.8-10.3, 2.8-20.7, 6.9-48.3, 6.9-55.2 bar
Design Proof Pressure 150% maximum rated
Leakage Bubble-tight
Operating Temperature -15°F to 140°F / -26°C to 60°C
Flow Capacity C _v = 0.10

MEDIA CONTACT MATERIALS

Body 316 Stainless Steel or Brass
Seat CTFE
O-Ring Viton®
Back-up Ring Teflon®
Remaining Parts Stainless Model: 316 Stainless Steel Brass Model: Brass and 300 Series Stainless Steel

OTHER

Cleaning CGA 4.1 and ASTM G93
Weight 2 lbs / 0.9 kg

Teflon® and Viton® are registered trademarks of E.I. du Pont de Nemours and Company.



TESCOM 44-1700 Series is a general purpose, compact backpressure regulator for control pressures up to 800 psig / 55.2 bar.

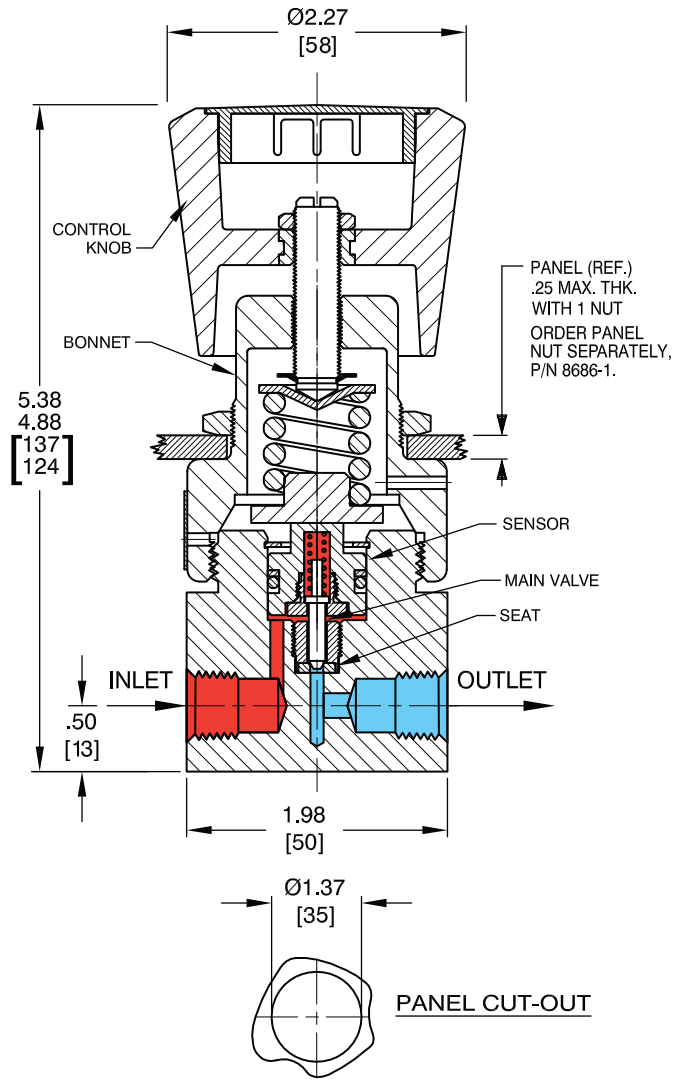
Application

- Industrial equipment for hydraulic or pneumatic service

Features and Benefits

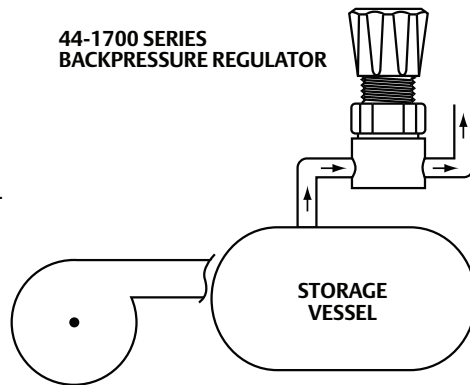
- Economical, compact design
- Piston sensed design is safe and reliable
- Available in a Stainless Steel or Brass design
- Optional gauge ports and panel mounting
- Flow capacity C_v = 0.10
- Low handknob torque for easy operation
- Bubble-tight shutoff at all reseating pressures

44-1700 Series Regulator Drawing



44-1700 SERIES BACKPRESSURE REGULATOR

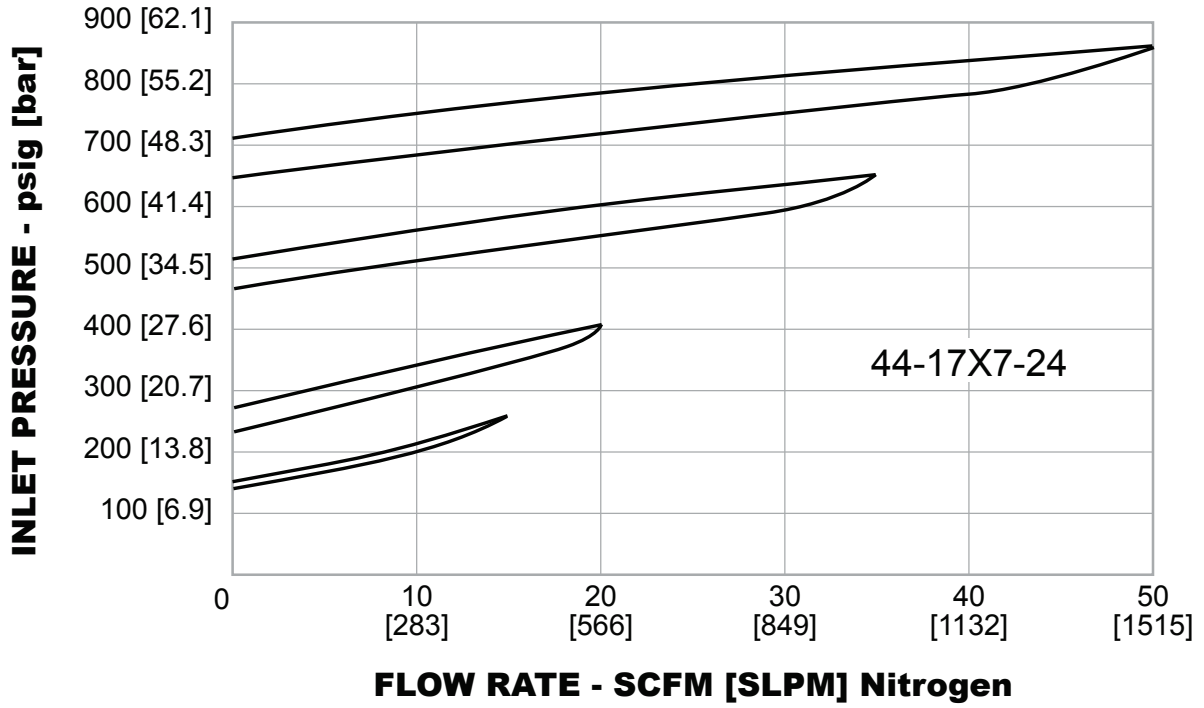
BACKPRESSURE CONTROL OF STORAGE VESSEL



All dimensions are reference & nominal
Metric [millimeter] equivalents are in brackets

44-1700 Series Regulator Flow Chart

For more information on how to read flow curves, please refer to the Flow Curves and Calculations document (debul2007x012) in the TESCOM catalog or on www.tescom.com.



44-1700 Series Regulator Part Number Selector

Repair Kits, Accessories & Modifications may be available for this product. Please contact TESCOM for more information.

Example for selecting a part number:

44-17

6

7

-

2

4

BASIC SERIES	BODY MATERIAL	INLET PRESSURE	INLET AND OUTLET PORT TYPE	INLET AND OUTLET PORT SIZE
44-17	1 – Brass 6 – 316 Stainless Steel	2 – 40-150 psig 2.8-10.3 bar 3 – 40-300 psig 2.8-20.7 bar 7 – 100-700 psig 6.9-48.3 bar 8 – 100-800 psig 6.9-55.2 bar	2 – NPTF	4 – 1/4"