

44-3400 Series

Regulators - Pressure Reducing

D44341802X012

Specifications

For other materials or modifications, please consult TESCOM.

OPERATING PARAMETERS

Pressure rating per criteria of ANSI/ASME B31.3

Maximum Inlet Pressure

3500 psig / 241 bar

Outlet Pressure Ranges

0-25, 0-50, 0-100, 0-150, 0-250 psig
0-1.7, 0-3.4, 0-6.9, 0-10.3, 0-17.2 bar

Design Outlet Proof Pressure

150% of maximum rated pressure

Operating Temperature

-40°F to 165°F / -40°C to 74°C

Flow Capacity

$C_v = 0.05$

Leakage

Internal: Bubble-tight

External: Design to meet $\leq 2 \times 10^{-8}$ atm cc/sec He

Maximum Operating Torque

10 in-lbs / 1.0 N•m

Decaying Inlet Characteristic

0.04 change: 100 psig / 6.9 bar inlet

MEDIA CONTACT MATERIALS

Body

316 Stainless Steel, Brass or Monel

Bonnets

300 Series Stainless Steel or Brass

Diaphragms

316 Stainless Steel or Elgiloy®

Seats

Teflon®

Friction Sleeve (inner)

Teflon®

Remaining Parts

316 Stainless Steel and Brass (for Brass models)

OTHER

Connections

1/4" NPTF inlet, outlet and gauge port

Cleaning

CGA 4.1 and ASTM G93

Weight (without gauges)

3 lbs / 1.4 kg

Elgiloy® is a registered trademark of Elgiloy Corp.

Teflon® is a registered trademark of E.I. du Pont de Nemours and Company.



TESCOM 44-3400 Series is a compact, lightweight high purity two-stage cylinder regulator for specialty, corrosive and pyrophoric gases less than 5 SCFM / 141 SLPM. Diffusion-resistant metal-to-metal diaphragm seal ensures gas purity and integrity.

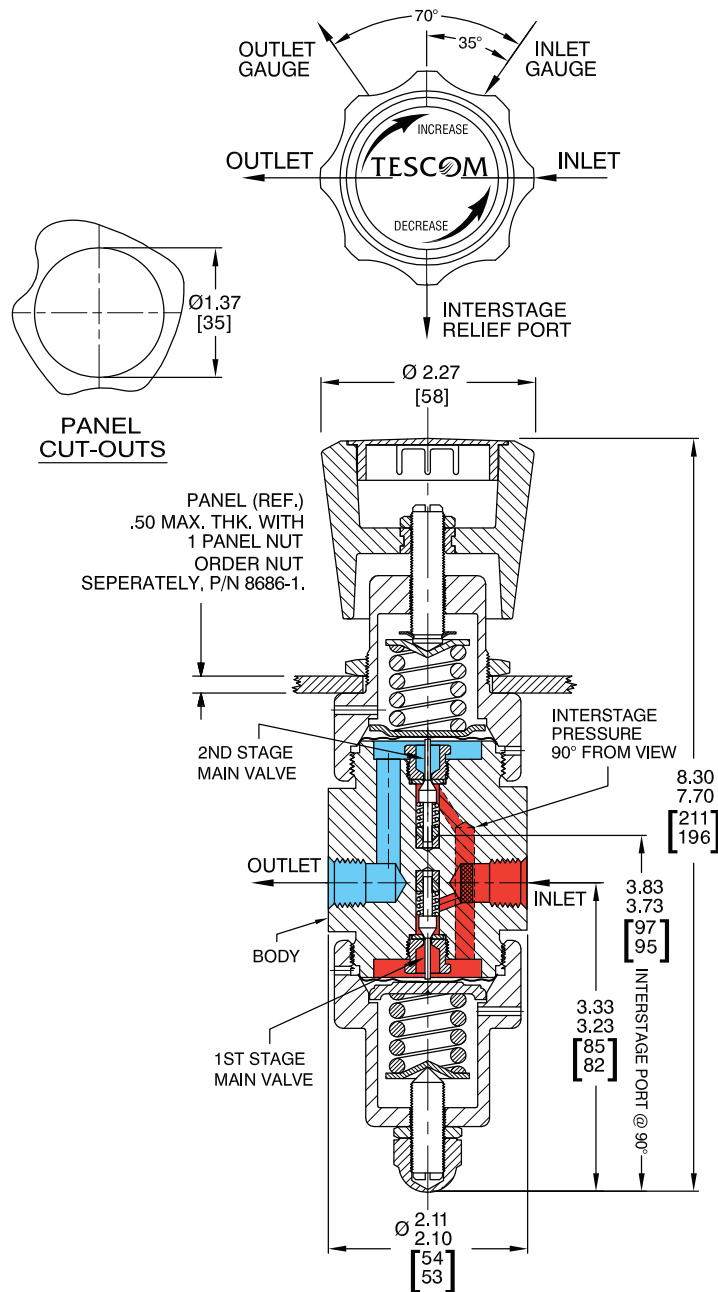
Application

- High pressure gas cylinders for specialty and industrial gases used with analyzers, lasers, and laboratory applications

Features and Benefits

- Provides a continuous, accurate outlet pressure regardless of inlet pressure fluctuations
- Offers a decaying inlet characteristic of 0.04 psig / 3 mbar per 100 psig / 6.9 bar change in inlet pressure
- Features a unique metal-to-metal diaphragm to body seal
- Diaphragms are convoluted for greater accuracy and sensitivity
- Available in 316 Stainless Steel, Brass or Monel
- NACE compliant designs are available

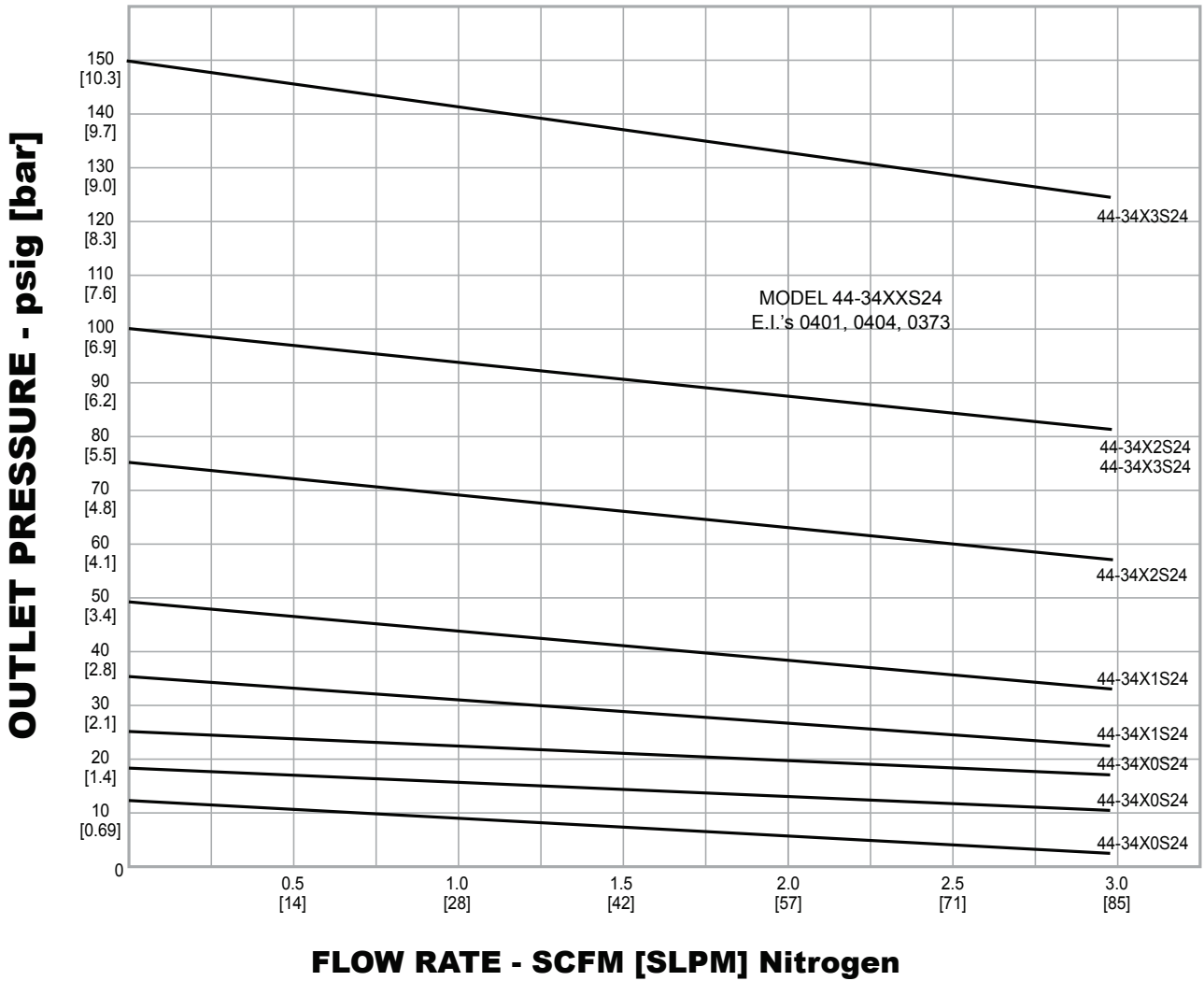
44-3400 Series Regulator Drawing



All dimensions are reference & nominal
Metric [millimeter] equivalents are in brackets

44-3400 Series Regulator Flow Chart

For more information on how to read flow curves, please refer to the Flow Curves and Calculations document (debul2007x012) in the TESCOM catalog or on www.tescom.com.



44-3400 Series Regulator Part Number Selector

Repair Kits, Accessories & Modifications may be available for this product. Please contact TESCOM for more information.

Example for selecting a part number:

44-34

6

2

S

2

4

BASIC SERIES	MATERIALS					OUTLET PRESSURE RANGES	SEAT	INLET AND OUTLET PORT TYPE	INLET AND OUTLET PORT SIZE
	BODY	DIAPHRAGM	SPRING	FRICTION SLEEVE (OUTER)	REMAINING PARTS				
44-34	1 – Brass	316 Stainless Steel	316 Stainless Steel	316 Stainless Steel	316 Stainless Steel/Brass	0 – 0 to 25 psig 0 to 1.7 bar	S – Teflon [®]	2 – NPTF	4 – 1/4"
	6 – 316 Stainless Steel	316 Stainless Steel	316 Stainless Steel	316 Stainless Steel	316 Stainless Steel	1 – 0 to 50 psig 0 to 3.4 bar			
	9 – Monel	Elgiloy [®]	Elgiloy [®]	Teflon [®]	Monel	2 – 0 to 100 psig 0 to 6.9 bar			
						3 – 0 to 150 psig 0 to 10.3 bar			
						4 – 0 to 250 psig 0 to 17.2 bar			