

# BB-3 Series

## Regulators - Relief / Backpressure

DBB031790X012

### Specifications

For other materials or modifications, please consult TESCOM.

#### OPERATING PARAMETERS

Pressure rating per criteria of ANSI/ASME B31.3

##### Inlet Pressure Ranges

See Part Number Selector

##### Design Proof Pressure

150% of maximum pressure

##### Operating Temperature<sup>1</sup>

-15°F to 140°F / -26°C to 60°C

##### Flow Capacity

$C_v = 0.2$

##### Internal Leakage

Bubble-tight

#### MEDIA CONTACT MATERIALS

##### Body

Nickel-plated Aluminum or 316 Stainless Steel

##### Seat

Tefzel®, CTFE, PTFE or Vespel®

##### O-Rings

Ethylene Propylene, Buna-N, Viton® or Kalrez®

##### Remaining Parts

300 Series Stainless Steel or Aluminum

#### OTHER

##### Cleaning

CGA 4.1 and ASTM G93

##### Connections

1/4" NPTF or SAE inlet and outlet ports

##### Weight

**Aluminum:** 0.5 lbs / 0.2 kg

**Stainless Steel:** 1 lbs / 0.5 kg

<sup>1</sup> For extended temperatures from -40°F to 204°F / -40°C to 96°C, consult TESCOM.

Viton®, Vespel®, Kalrez® and Tefzel® are registered trademarks of E.I. du Pont de Nemours and Company.



TESCOM BB-3 is a high pressure, low flow, miniature backpressure regulator. Six control pressure ranges are available up to 1200 psig / 83 bar outlet. This regulator can be used for hydraulic or pneumatic service and is small and compact, weighing approximately 4 oz / 0.11 kg in the standard Aluminum construction (316 Stainless Steel also available).

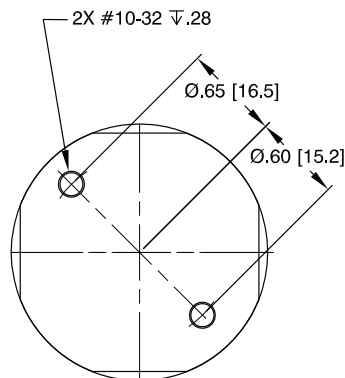
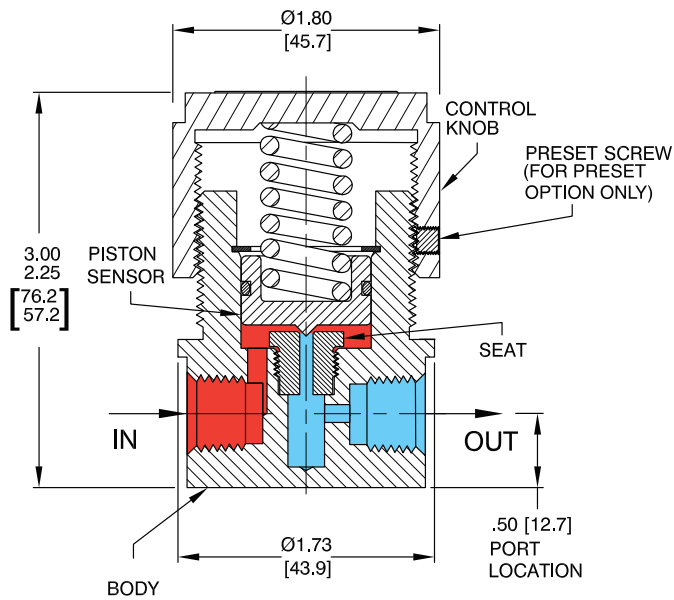
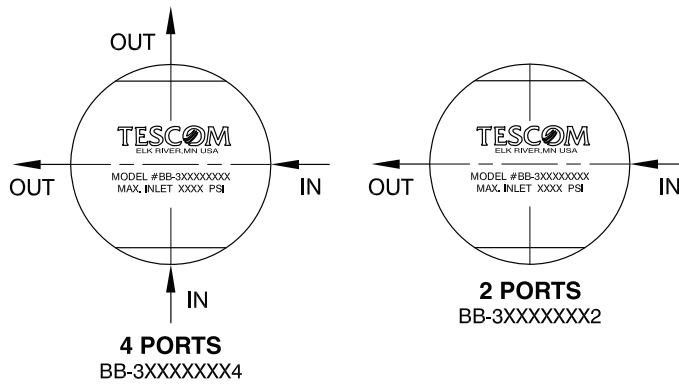
### Applications

- Portable equipment
- OEM equipment

### Features and Benefits

- Economical and extremely compact
- Durable piston sensor design
- High flow capacity
- High temperature version (up to 204°F / 96°C)
- Close pressure differential between crack and reseal
- Bubble-tight shutoff at all reseating pressures
- Six control pressure ranges

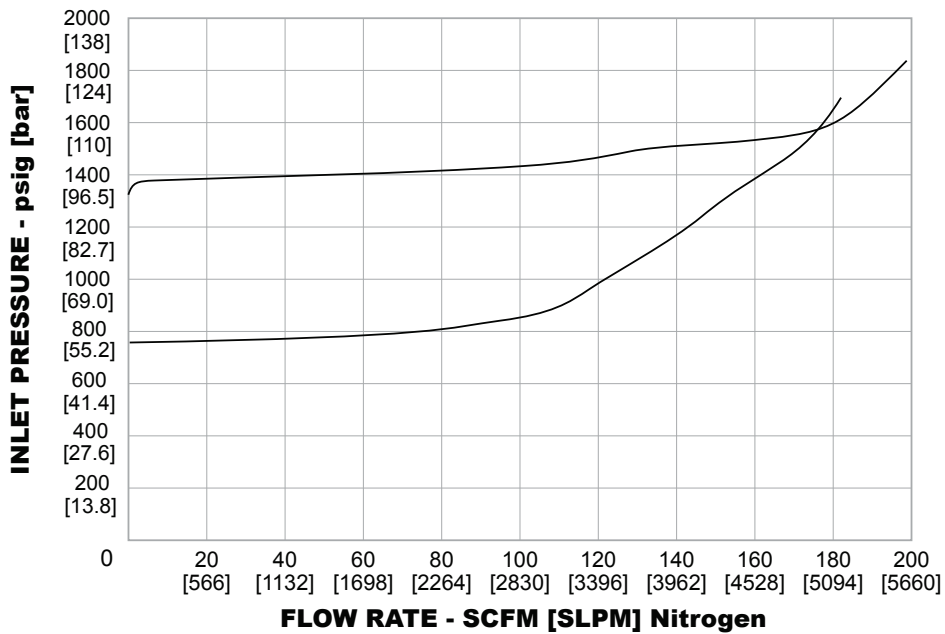
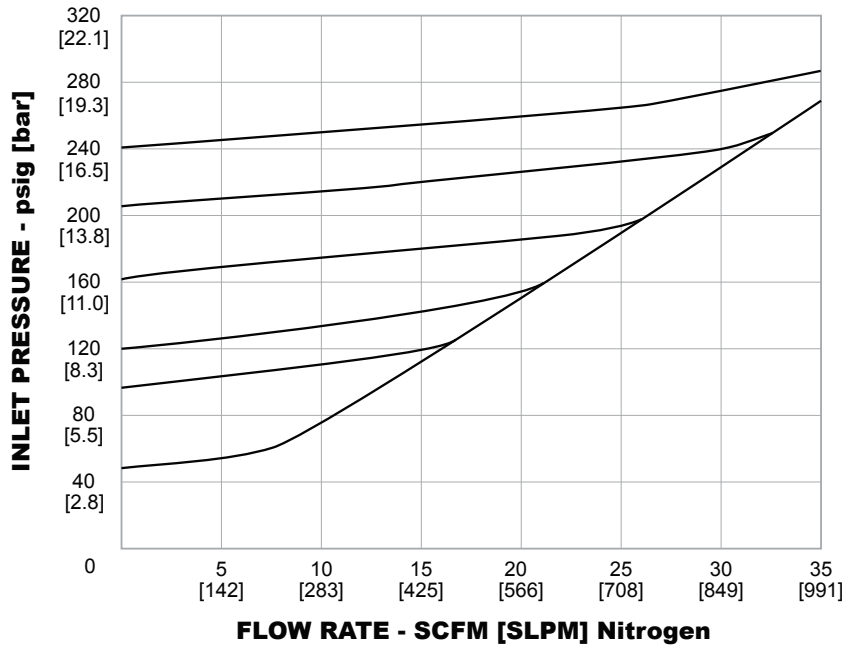
BB-3 Series Regulator Drawing



All dimensions are reference & nominal  
Metric [millimeter] equivalents are in brackets

### BB-3 Series Regulator Flow Charts

For more information on how to read flow curves, please refer to the Flow Curves and Calculations document (debul2007x012) in the TESCOM catalog or on [www.tescom.com](http://www.tescom.com).



## BB-3 Series Regulator Part Number Selector

Repair Kits, Accessories & Modifications may be available for this product. Please contact TESCOM for more information.

Example for selecting a part number:

BASIC SERIES	FUNCTION	BODY MATERIAL	LOAD TYPE	INLET PRESSURE RANGES		SEAT MATERIAL	O-RING SEAL	PORTING	NUMBER OF PORTS
				ADJUSTABLE	PRESET				
<b>BB</b>	<b>3</b> – Backpressure	<b>3</b> – Nickel-plated Aluminum (Spring Load only) <b>6</b> – 316 Stainless Steel	<b>A</b> – Adjustable <b>P</b> – Preset <b>D</b> – Dome Load (250 psig / 17.2 bar* maximum reference pressure)	<b>L1</b> – 0-80 psig 0-5.5 bar <b>L2</b> – 0-140 psig 0-9.7 bar <b>L3</b> – 0-220 psig 0-15.2 bar <b>H1</b> – 0-700 psig 0-48.3 bar <b>H2</b> – 0-1200 psig 0-82.7 bar <b>D1</b> – 0-250 psig 0-17.2 bar*	0-80 psig 0-5.5 bar 80-140 psig 5.5-9.7 bar 140-220 psig 9.7-15.2 bar 220-700 psig 15.2-48.3 bar 700-1200 psig 48.3-82.7 bar Dome Load Only	<b>A</b> – Tefzel® <b>K</b> – CTFE <b>V</b> – Vespel® <b>T</b> – PTFE (250 psig / 17.2 bar maximum inlet pressure)	<b>E</b> – Ethylene Propylene <b>N</b> – Buna-N <b>S</b> – Special <b>V</b> – Viton® <b>K</b> – Kalrez®	<b>A4</b> – 1/4" NPTF 4 <b>B4</b> – 1/4" SAE 4 <b>B2</b> – 1/4" SAE 2 <b>A2</b> – 1/4" NPTF 2	

\*3000 psig / 207 bar available, please consult factory.