

VT Series

3-Way On/Off and Shut-off Valves

DVTXX2016X012

Specifications

For other materials or modifications, please consult TESCOM.

OPERATING PARAMETERS

Pressure rating per criteria of ANSI/ASME B31.3

<p>Operating Pressure 3500 psig / 241 bar Body: Brass, 316 Stainless Steel Seat: Tefzel® ETFE, CTFE</p> <p>6000 psig / 414 bar Body: Brass Seat: VespeI®[®], PEEK</p> <p>10,000 psig / 690 bar Body: 316 Stainless Steel Seat: VespeI®[®], PEEK</p> <p>Design Proof Pressure 150% maximum rated</p> <p>Leakage Internal: Bubble-tight External: Bubble-tight</p> <p>Operating Temperature See Part Number Selector</p> <p>Flow Capacity $C_v = 0.75$</p> <p>Actuation Pressure Minimum: 80 psig / 5.5 bar Maximum: 110 psig / 7.6 bar</p>

MEDIA CONTACT MATERIALS

<p>Body Brass, 316 Stainless Steel</p> <p>Metallic Trim 316 Stainless Steel, 17-4 Stainless Steel, Brass (Brass bodies only)</p> <p>Seat Tefzel® ETFE, CTFE, PEEK, VespeI®[®]</p> <p>O-Ring Buna-N, Kalrez®, Viton®, Ethylene Propylene (E.P.), Urethane</p> <p>Back-up Rings Teflon® for CTFE and Tefzel® seats CTFE for PEEK and VespeI® seats</p>
--

OTHER

<p>Weight 5 lbs / 2.3 kg</p>
--

Teflon®, Kalrez®, Tefzel®, VespeI® and Viton® are registered trademarks of E.I. du Pont de Nemours and Company.



TESCOM VT Series 3-way air-operated valve provides high cycle life in a compact design.

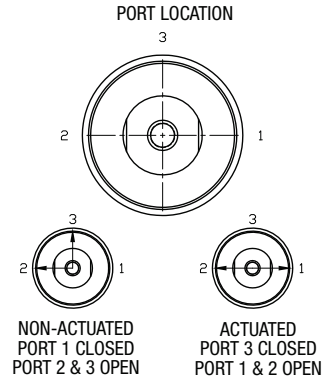
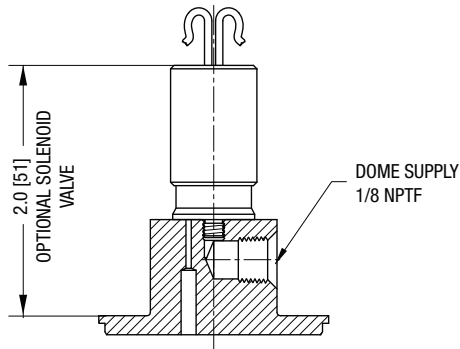
Applications

- Component pressure cycle testing
- Two source selector valve
- Fill and dump applications (e.g. airbag canister filling, gas spring filling)
- Emergency shutoff
- Pneumatic and hydraulic applications

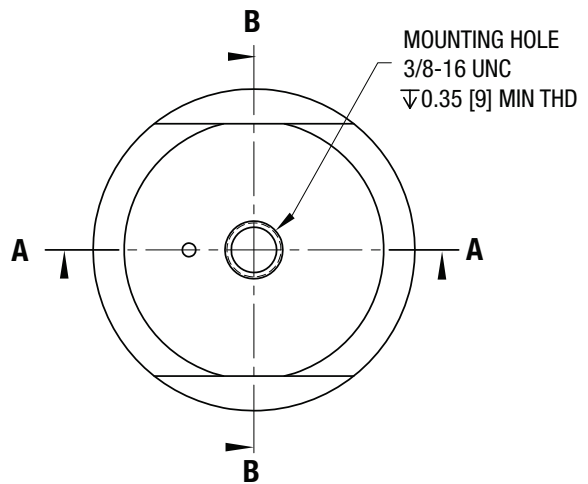
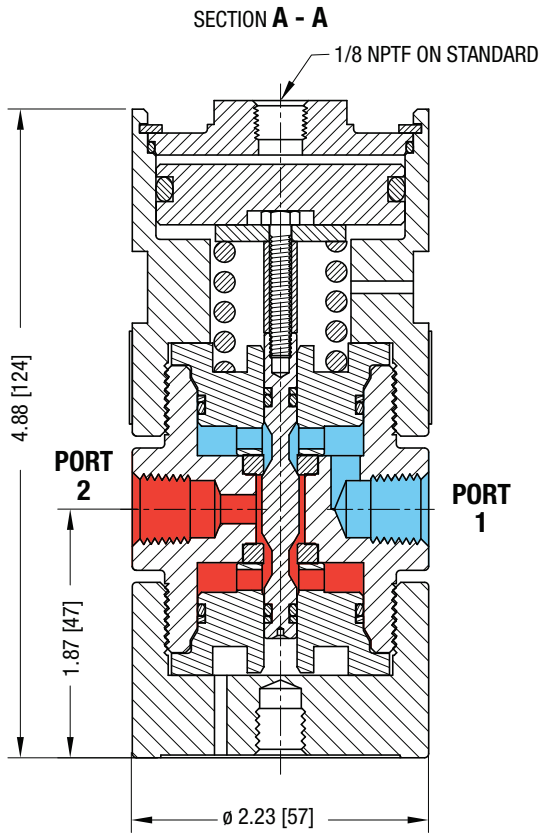
Features and Benefits

- 1/4" and 3/8" ports
- $C_v = 0.75$
- Balanced main valve
- Solenoid valve is optional
- 2 position, 3-way
- Leak tight integrity - Class VI shutoff (bubble-tight)

VT Series 3-Way Valve Drawing



NON-ACTUATED
PORT 1 CLOSED, PORT 2 & 3 OPEN



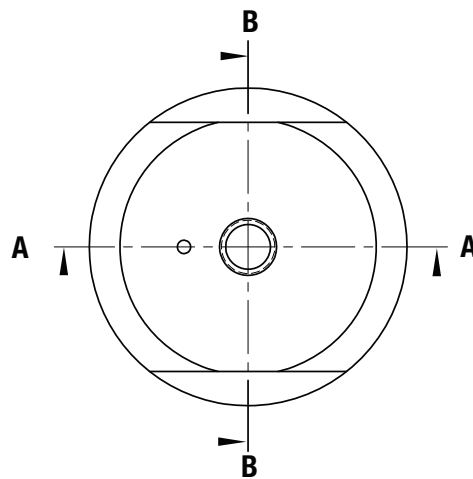
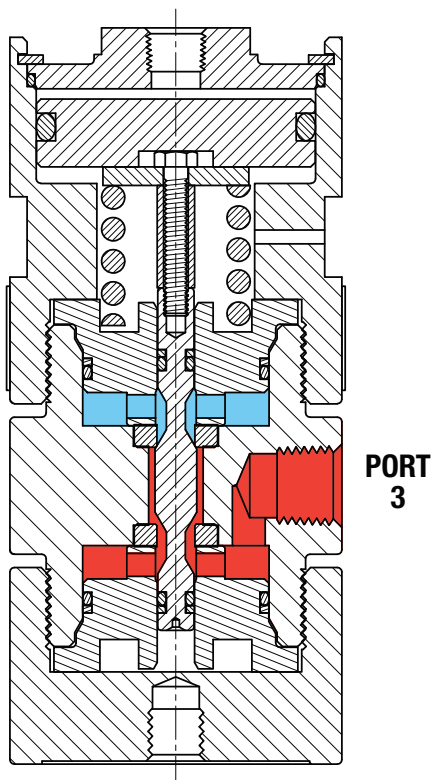
All dimensions are reference & nominal
Metric [millimeter] equivalents are in brackets

VT Series 3-Way Valve Drawing



**NON-ACTUATED
PORT 1 CLOSED, PORT 2 & 3 OPEN**

SECTION B - B



All dimensions are reference & nominal
Metric [millimeter] equivalents are in brackets

VT Series 3-Way Valve Part Number Selector

Repair Kits, Accessories & Modifications may be available for this product. Please contact TESCOM for more information.

Example for selecting a part number:

VT	6	AB				9	A	A	A
BASIC SERIES	BODY MATERIAL	SEAT MATERIAL	O-RING MATERIAL	MAXIMUM OPERATING PRESSURE	OPERATING TEMPERATURE	OPTIONS	1 PORT LOCATION SIZE AND TYPE	2 PORT LOCATION SIZE AND TYPE	3 PORT LOCATION SIZE AND TYPE
VT	1 – Brass 6 – 316 Stainless Steel	AB – Tefzel® ETFE	Buna-N	Brass body 3500 psig 241 bar	-40°F to 165°F -40°C to 74°C	9 – None C – CCL V – Solenoid valve 24 Volt DC W – Solenoid valve 12 Volt DC	A – 1/4" NPTF C – 3/8" NPTF E – 1/4" SAE J – 3/8" SAE	A – 1/4" NPTF C – 3/8" NPTF E – 1/4" SAE J – 3/8" SAE	A – 1/4" NPTF C – 3/8" NPTF E – 1/4" SAE J – 3/8" SAE
		AK – Tefzel® ETFE	Kalrez®		316 Stainless Steel body 3500 psig 241 bar				
	AV – Tefzel® ETFE	Viton®	316 Stainless Steel body 3500 psig 241 bar	-15°F to 250°F -26°C to 121°C					
	AE – Tefzel® ETFE	E.P.		316 Stainless Steel body 3500 psig 241 bar	-40°F to 250°F -40°C to 121°C				
	AU – Tefzel® ETFE	Urethane	316 Stainless Steel body 3500 psig 241 bar		-40°F to 165°F -40°C to 74°C				
	CB – CTFE	Buna-N		Brass body 3500 psig 241 bar	-40°F to 165°F -40°C to 74°C				
	CK – CTFE	Kalrez®	316 Stainless Steel body 3500 psig 241 bar		20°F to 165°F -7°C to 74°C				
	CV – CTFE	Viton®		316 Stainless Steel body 3500 psig 241 bar	-15°F to 165°F -26°C to 74°C				
	CE – CTFE	E.P.	316 Stainless Steel body 3500 psig 241 bar		-40°F to 165°F -40°C to 74°C				
	CU – CTFE	Urethane		316 Stainless Steel body 3500 psig 241 bar	-40°F to 165°F -40°C to 74°C				
	PB – PEEK	Buna-N	Brass body 6000 psig 414 bar		-40°F to 165°F -40°C to 74°C				
	PK – PEEK	Kalrez®		316 Stainless Steel body 10,000 psig 690 bar	20°F to 250°F -7°C to 121°C				
	PV – PEEK	Viton®	316 Stainless Steel body 10,000 psig 690 bar		-15°F to 250°F -26°C to 121°C				
	PE – PEEK	E.P.		316 Stainless Steel body 10,000 psig 690 bar	-40°F to 250°F -40°C to 121°C				
	PU – PEEK	Urethane	316 Stainless Steel body 10,000 psig 690 bar		-40°F to 165°F -40°C to 74°C				
	VB – Vespel®	Buna-N		Brass body 6000 psig 414 bar	-40°F to 165°F -40°C to 74°C				
	VK – Vespel®	Kalrez®	316 Stainless Steel body 10,000 psig 690 bar		20°F to 250°F -7°C to 121°C				
	VV – Vespel®	Viton®		316 Stainless Steel body 10,000 psig 690 bar	-15°F to 250°F -26°C to 121°C				
	VE – Vespel®	E.P.	316 Stainless Steel body 10,000 psig 690 bar		-40°F to 250°F -40°C to 121°C				
	VU – Vespel®	Urethane		316 Stainless Steel body 10,000 psig 690 bar	-40°F to 165°F -40°C to 74°C				