

WEGA Mini

Regulators - Pressure Reducing

DCATLAB012109XEN2

Specifications

For other materials or modifications, please consult TESCOM.

FLUID MEDIA

For high purity gases and calibration gases without corrosive components except NO, NH₃, SO₂ (ppm range).

OPERATING PARAMETERS

Pressure rating per criteria of ANSI/ASME B31.3

Maximum Inlet Pressure

2900 psig / 200 bar

Outlet Pressure Ranges

Maximum 60 psig / 4.1 bar or 145 psig / 10.0 bar

Leak Rate

10⁻⁸ mbar l/sec He for each connection

Nominal Flow Rate

Outlet Pressure 145 psig / 10.0 bar: Maximum 20 SLPM

Outlet Pressure 60 psig / 4.1 bar: Maximum 10 SLPM

Flow Capacity

C_v = 0.02

MEDIA CONTACT MATERIALS

Body

Nickel-plated Brass or Stainless Steel

Diaphragm

316L Stainless Steel

Seat

NBR

OTHERS

Inlet Connection

DIN 477-1 or other national standards

Outlet Connection

Regulator: 1/4" NPTF internal

Fittings: Compression fitting 6 mm with additional hose connector 6 mm

Weight

1.9 lbs / 0.85 kg



TESCOM WEGA Mini is a cylinder pressure reducer for gas purities up to 6.0 (99.9999 Vol %) used for lecture bottle and mobile applications. Lightweight and compact design due to the relief valve integrated into the body.

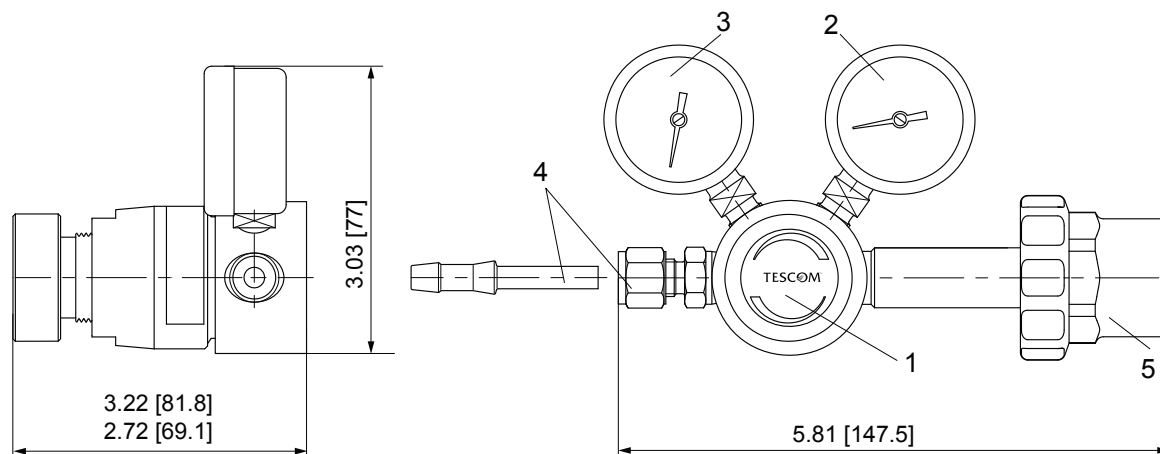
Applications

- Lecture bottles
- Mobile applications

Features and Benefits

- Lecture bottle regulator with metal diaphragm
- Based on the field proven TESCOM 04 Series
- Ideal for space saving installations

WEGA Mini Regulator Drawing



- 1 Basic regulator with integrated relief valve and hand wheel
- 2 Inlet gauge
- 3 Outlet gauge
- 4 Compression fitting 6 mm with hose connector 6 mm
- 5 Cylinder connector

All dimensions are reference & nominal
Metric [millimeter] equivalents are in brackets

WEGA Mini Regulator Part Number Selector

Repair Kits, Accessories & Modifications may be available for this product. Please contact TESCOM for more information.

Example for selecting a part number:

D45390	-	06	-	05	-	2
BASIC SERIES		INLET CONNECTION*		OUTLET CONNECTION		OUTLET PRESSURE
D45390 – Nickel-plated Brass D45394 – Stainless Steel		01 - Flammable Gases 06 - Inert Gas, CO ₂ , SF ₆ , CF ₄ 10 - Nitrogen 11 - Nitrous Oxide 13 - Compressed Air 14 - Calibration Gas		00 - 1/4" NPTF internal 05 - 6 mm fitting with 6 mm hose connector		2 - 60 psig / 4.1 bar 3 - 145 psig / 10.0 bar

* Please ask for national standards other than DIN 477-1