

# Pressure Gauges

Accessories

DGAUGE1096XEN2

## Standard $\varnothing$ 2" and $\varnothing$ 2-1/2" Pressure Gauges

### Specifications

All standard gauges are stock items, please consult TESCOM for special gauge features.

### Applications

- Designed for general, laboratory and semiconductor applications involving the measurement of compressed gases compatible with the materials of construction
- For gaseous media
- Gas filling pressure indicator on cylinder regulators
- Machine building and general plant construction



### OPERATING PARAMETERS

#### Bourdon Tube

Phosphor Bronze, Beryllium copper or Stainless Steel, depending on gauge style and pressure

#### Accuracy

##### Brass

ASME B40.1 Grade B, middle half of scale - 2% of scale range, remainder: 3%

##### Stainless Steel

Grade A, middle half of scale - 1% of scale range, remainder 2%

#### Scale

Single-scale psi or multi-scale psi/bar; psi/kPa; psi / kg/cm<sup>2</sup>; psi / kg/cm<sup>2</sup> / inches Hg

#### Pressure Ranges

Vacuum up to 10,000 psig / 690 bar

#### Movement

##### Brass

Quality brass construction with gears precision generated and bearing surfaces finely finished to ensure smooth motion and extended service life

##### Stainless Steel

Glasstuf links with Stainless Steel pins

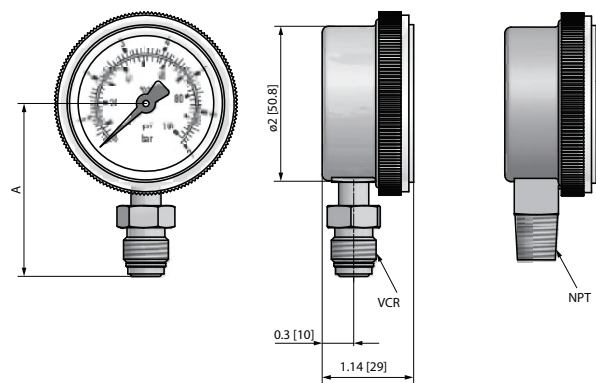
### OTHERS

#### Cleaning

ASME B40.1 Level IV

VCR® is a registered trademark of Cajon Company.

### $\varnothing$ 2" Stainless Steel Gauge Drawing



All dimensions are reference & nominal  
Metric [millimeter] equivalents are in brackets

CONNECTION 1/4"	DIMENSION A, inch [mm]
NPT	1.94 [49.0]
VCR® Male swivel Ultra High Purity	2.32 [58.9]

See next 2 pages for ordering information for  $\varnothing$  2" and  $\varnothing$  2-1/2" gauges by world area.

Standard  $\varnothing$  2" and  $\varnothing$  2-1/2" Pressure Gauges

Ordering Information

1/4" NPT, Stainless Steel		
PART NUMBER	SCALE	MAXIMUM PRESSURE
<b><math>\varnothing</math> 2" Diameter</b>		
62837-0030N20	psi / bar	30/2
62837-0060N20	psi / bar	60/4
62837-0100N20	psi / bar	100/7
62837-0200N20	psi / bar	200/14
62837-0400N20	psi / bar	400/28
62837-0600N20	psi / bar	600/42
62837-1000N20	psi / bar	1000/69
62837-2000N20	psi / bar	2000/137
62837-3000N20	psi / bar	3000/207
62837-4000N20	psi / bar	4000/280
62837-6000N20	psi / bar	6000/414
62837-7500N20	psi / bar	7500/517
62837-10000N20	psi / bar	10,000/690
62837-V015N20	psi / bar	30/0/15
62837-V030N20	psi / bar	30/0/30
62837-V060N20	psi / bar	30/0/60
62837-V100N20	psi / bar	30/0/100
62837-V200N20	psi / bar	30/0/200
<b><math>\varnothing</math> 2-1/2" Diameter</b>		
62837-0060N25	psi / bar	60/4
62837-0100N25	psi / bar	100/7
62837-0200N25	psi / bar	200/14
62837-0400N25	psi / bar	400/28
62837-0600N25	psi / bar	600/42
62837-4000N25	psi / bar	4000/280
62837-6000N25	psi / bar	6000/414
62837-7500N25	psi / bar	7500/517
62837-10000N25	psi / bar	10,000/690

1/4" VCR® Male Swivel, Stainless Steel		
<b><math>\varnothing</math> 2" Diameter</b>		
47760-0030M	psi / kg/cm <sup>2</sup>	30/2
47760-0060M	psi / kg/cm <sup>2</sup>	60/4
47760-0100M	psi / kg/cm <sup>2</sup>	100/7
47760-0200M	psi / kg/cm <sup>2</sup>	200/14
47760-4000M	psi / kg/cm <sup>2</sup>	4000/280
47760-V030M	psi / kg/cm <sup>2</sup> / inches Hg	30/2/30"
47760-V060M	psi / kg/cm <sup>2</sup> / inches Hg	60/4/30"
47760-V100M	psi / kg/cm <sup>2</sup> / inches Hg	100/7/30"

1/4" NPT, Brass		
PART NUMBER	SCALE	MAXIMUM PRESSURE
<b><math>\varnothing</math> 2" Diameter</b>		
60500-0030N	psi	30
60500-0060N	psi	60
60500-0100N	psi	100
60500-0200N	psi	200
60500-0400N	psi	400
60500-0600N	psi	600
60500-1000N	psi	1000
60500-2000N	psi	2000
60500-3000N	psi	3000
60500-4000N	psi	4000
60500-6000N	psi	6000
62838-0060N20	psi / bar	60/4
62838-0100N20	psi / bar	100/7
62838-0200N20	psi / bar	200/14
62838-0400N20	psi / bar	400/28
62838-0600N20	psi / bar	600/42
62838-1000N20	psi / bar	1000/69
62838-2000N20	psi / bar	2000/137
62838-3000N20	psi / bar	3000/207
62838-4000N20	psi / bar	4000/280
62838-6000N20	psi / bar	6000/414
<b><math>\varnothing</math> 2-1/2" Diameter</b>		
62838-0060N25	psi / bar	60/4
62838-0100N25	psi / bar	100/7
62838-0200N25	psi / bar	200/14
62838-0400N25	psi / bar	400/28
62838-0600N25	psi / bar	600/42
62838-2000N25	psi / bar	2000/137
62837-4000N25	psi / bar	4000/280
62837-7500N25	psi / bar	7500/517

Standard  $\varnothing$  2" and  $\varnothing$  2-1/2" Pressure Gauges

## Ordering Information

1/4" NPT, Stainless Steel			USAGE
PART NUMBER	SCALE	PRESSURE RANGE	
<b><math>\varnothing</math> 2" Diameter</b>			<b>Accessory for various TESCOM series</b> <ul style="list-style-type: none"> <li>• High Purity Compact Panel (VCR<sup>®</sup>)</li> <li>• Compact Panel (Corrosive Gases)</li> <li>• Point-of-Use Regulator (VCR<sup>®</sup>)</li> <li>• Wega Series (Corrosive Gases)</li> <li>• In-line Regulators, Stainless Steel</li> <li>• Automatic Changeovers, Stainless Steel</li> <li>• 44-1100 Series, Stainless Steel</li> <li>• 44-1800 Series, Stainless Steel</li> <li>• 44-2200 Series, Stainless Steel</li> <li>• 44-2300 Series, Stainless Steel</li> <li>• 64-3600 Series, Stainless Steel</li> <li>• 74-3000 Series, Stainless Steel</li> </ul>
4802-0300N	psi / bar	0 to 300 psi / 0 to 20 bar	
4802-0400N	psi / bar	0 to 400 psi / 0 to 28 bar	
4802-0600N	psi / bar	0 to 600 psi / 0 to 40 bar	
4802-1000N	psi / bar	0 to 1000 psi / 0 to 70 bar	
4802-3000N	psi / bar	0 to 3000 psi / 0 to 200 bar	
4802-4000N	psi / bar	0 to 4000 psi / 0 to 275 bar	
4802-6000N	psi / bar	0 to 6000 psi / 0 to 415 bar	
4802-V030N	psi / bar	-15 to 30 psi / -1 to 2 bar	
4802-V060N	psi / bar	-15 to 60 psi / -1 to 4 bar	
4802-V100N	psi / bar	-15 to 100 psi / -1 to 7 bar	
4802-V160N	psi / bar	-15 to 160 psi / -1 to 11 bar	
4802-V200N	psi / bar	-15 to 200 psi / -1 to 14 bar	
<b>1/4" VCR<sup>®</sup> Male Swivel, Stainless Steel</b>			
<b><math>\varnothing</math> 2" Diameter</b>			
4802-4000M	psi / bar	0 to 4000 psi / 0 to 275 bar	
4802-V030M	psi / bar	-15 to 30 psi / -1 to 2 bar	
4802-V060M	psi / bar	-15 to 60 psi / -1 to 4 bar	
4802-V100M	psi / bar	-15 to 100 psi / -1 to 7 bar	
4802-V160M	psi / bar	-15 to 160 psi / -1 to 11 bar	
4802-V200M	psi / bar	-15 to 200 psi / -1 to 14 bar	

Please consult TESCOM for other options (e.g. different pressure ranges or center back mount connections).

## Standard 1.9 inch / 50 mm Pressure Gauges

### OPERATING PARAMETERS

**Standard Process Connection:** G 1/4" male/According to EN 562

**Marking:** bar, OXYGEN, TESCOM Logo



“Free of Oil and Grease”, EN 562

**Diameter:** 1.9 inch / 50 mm

**Array of connection:** 6 o'clock



### Ordering Information

PART NUMBER	MAXIMUM PRESSURE*	RED MARK	THREAD	ARRAY OF CONNECTION	USAGE	
<b>Low Pressure</b>						
D44150-00G0036	44 psi / 3 bar	22 psi / 1.5 bar	G 1/4"		<ul style="list-style-type: none"> <li>• TESCOM Point-of-Use Regulator, MiniLabo 2, Brass</li> <li>• TESCOM Wega Series, Brass</li> <li>• TESCOM Compact Panel, Brass</li> </ul>	
D44150-00N0036	44 psi / 3 bar	22 psi / 1.5 bar	1/4" NPT			
D44150-00G0056	73 psi / 5 bar	44 psi / 3 bar	G 1/4"			
D44150-00G0156	218 psi / 15 bar	145 psi / 10 bar	G 1/4"			
D44150-00N0116	218 psi / 15 bar	----	1/4" NPT			
D44150-00G0406	580 psi / 40 bar	290 psi / 20 bar	G 1/4"			
<b>High Pressure</b>						
D44150-00G3156	4569 psi / 315 bar	2900 psi / 200 bar	G 1/4"			
D44150-12G0156	4569 psi / 315 bar	2900 psi / 200 bar	G 1/4"			
D44150-00G4016	5801 psi / 400 bar	----	G 1/4"			

\*Other connections, e.g. NPT or VCR® and pressure ranges are available on request.

## Standard 2.5 inch / 63 mm Oxygen Pressure Gauges

### OPERATING PARAMETERS PRESSURE GAUGE

**Standard Process Connection:** G 1/4" male/According to EN 562

**Marking:** bar, OXYGEN, TESCOM Logo



“Free of Oil and Grease”, EN 562

**Diameter:** 2.5 inch / 63 mm

**Array of connection:** 6 o'clock



### Ordering Information

PART NUMBER	MAXIMUM PRESSURE*	RED MARK	THREAD	ARRAY OF CONNECTION	USAGE	
<b>Low Pressure</b>						
D44163-00G0156	218 psi / 15 bar	145 psi / 10 bar	G 1/4"		<ul style="list-style-type: none"> <li>• TESCOM Cylinder Regulator LABO</li> <li>• TESCOM Compact Panel, Brass</li> </ul>	
D44163-00G0166	218 psi / 15 bar	----	1/4" NPT			
D44163-00G0266	363 psi / 25 bar	44 psi / 3 bar	G 1/4"			
<b>High Pressure</b>						
D44163-00G3156	4569 psi / 315 bar	2900 psi / 200 bar	G 1/4"			
D44163-00G4006	5801 psi / 400 bar	4351 psi / 300 bar	1/4" NPT			


\*Other connections, e.g. NPT or VCR® and pressure ranges are available on request.

### Safety Pressure Gauges with Solenoid Contact according to EN 562

GLOBAL TECHNICAL STANDARDS ACCORDING TO DIN 16005

#### OPERATING PARAMETERS

Suitable for oxygen and electronic control applications, solenoid spring contact and switch opens at decaying pressure.

**Material:** Stainless Steel  
**Type of protection:** IP 54  
**Standard process connection:** G 1/4" male\*/According to EN 562/ISO 5171  
**Marking:** bar, psi, TESCOM Logo, KL. 1.6, EN 562/EN 837-1  
 **"Free of Oil and Grease", EN 562**  
**Accuracy Class:** 1.6 According to EN 562 / ISO 5171  
**Array of connection:** 6 o'clock



#### ORDERING INFORMATION

PART NUMBER	MAXIMUM PRESSURE	RED MARK	DIAMETER	USAGE
D44500-00G3156	4569 psi / 315 bar	2900 psi / 200 bar	2.5 inches / 63 mm	<ul style="list-style-type: none"> <li>• TESCOM Compact Panel</li> <li>• TESCOM Inline Regulators</li> <li>• TESCOM Cylinder Regulators</li> </ul>
D44500-00G4006	5801 psi / 400 bar	4351 psi / 300 bar	1.6 inches / 40 mm	


\* Other connections, e.g. NPT or VCR® is available on request.

### Safety Pressure Gauges with Inductive Contact according to EN 562

GLOBAL TECHNICAL STANDARDS ACCORDING TO DIN 16005

#### OPERATING PARAMETERS

Suitable for oxygen and electronic control applications, contact break with falling pressure, 2m cable.

**Material:** 316L Stainless Steel  
**Type of protection:** EX II 1G Eex ia IIC T6  
**Diameter:** 2.5 inches / 63 mm  
**Standard process connection:** G 1/4" male\*/According to EN 562/ISO 5171  
**Marking:** bar, psi, TESCOM Logo, KL. 1.6, EN 562/EN 837-1  
 **"Free of Oil and Grease", EN 562**  
**Accuracy Class:** 1.6 According to DIN 16005  
**Array of connection:** 6 o'clock



#### ORDERING INFORMATION


PART NUMBER	MAXIMUM PRESSURE	RED MARK	USAGE
D44272-00G3156	4569 psi / 315 bar	2900 psi / 200 bar	<ul style="list-style-type: none"> <li>• TESCOM High Purity Compact Panel (VCR®)</li> <li>• TESCOM Compact Panel</li> <li>• TESCOM Cylinder Regulators</li> </ul>
D44272-00G4006	5801 psi / 400 bar	4351 psi / 300 bar	

\* Other connections, e.g. 1/4" NPT or 1/4" VCR-M® and different pressure ranges from 0/15 up to 0/400 bar are available on request.

## Safety Pressure Gauges with Capsule Element

### OPERATING PARAMETERS

**Safety Standard:** According to VBG 61  
**Standard Process Connection:** G 1/2" male/According DIN EN 837-1  
**Marking:** mbar, OXYGEN, DIN, TESCOM Logo, KL.1.6

 **"Free of Oil and Grease", EN 562**

**Diameter:** 3.9 inch / 100 mm  
**Accuracy Class:** 1.6 According to DIN EN 837-3  
**Array of connection:** 6 o'clock




### ORDERING INFORMATION

PART NUMBER	MAXIMUM PRESSURE	USAGE
7232795	0-60 mbar	<ul style="list-style-type: none"> <li>• TESCOM Cylinder Regulator Regulus</li> <li>• TESCOM Cylinder Regulator Doppelregulus</li> </ul>
7232796	0-160 mbar	
7232797	0-600 mbar	
7232787	0-1.6 bar	

## Safety Pressure Gauges

### OPERATING PARAMETERS

**Safety Standard:** According to EN 837-1  
**Standard Process Connection:** G 1/8" male/According EN 562/ISO 5171  
**Marking:** bar/kPa or bar/psi or bar, oxygen, DIN, TESCOM Logo, Kl.2.5

 **"Free of Oil and Grease", EN 562**

**Accuracy Class:** 2.5/According EN 562/ISO 5171  
**Array of connection:** 6 o'clock



### ORDERING INFORMATION

PART NUMBER	MAXIMUM PRESSURE	RED MARK	DIAMETER	USAGE
D44274-00G3156	315 bar / kPa x 100	200 bar / kPa x 100	1.6 inches / 40 mm	TESCOM Regulators for Medical
D44274-12G3156	315 bar / kPa x 100	200 bar / kPa x 100	1.6 inches / 40 mm	TESCOM Regulators for Medical
D45120-12G0026	36 psi / 2.5 bar	22 psi / 1.5 bar	1.6 inches / 40 mm	TESCOM Point-of-Use Regulators, MiniLabo 2
D51674-00G3156W	315 bar	----	1.9 inches / 50 mm	TESCOM Regulators for Medical

### ORDERING INFORMATION GASKETS FOR GAUGES

PART NUMBER	MATERIAL	PORT SIZE	THICKNESS	PART NUMBER	MATERIAL	PORT SIZE	THICKNESS
D1326	Brass	G 1/2"	0.75	D18909	Stainless Steel	G 1/4"	2.00
D13269	Brass	G 1/2"	1.00	D18929	Stainless Steel	G 1/4"	2.50
D13267	Brass	G 1/2"	1.50	D18930	Stainless Steel	G 1/4"	2.90
D12927	Brass	G 1/4"	0.50	D18909	Stainless Steel	G 1/4"	2.00
D12928	Brass	G 1/4"	0.75	D40583	Stainless Steel	G 1/4"	2.50
D12929	Brass	G 1/4"	1.00	V09535	Stainless Steel	1/4" VCR®	----
D42289	Brass	G 1/4"	2.00	D4917	Copper (Cu)	G 1/8"	0.50
D42339	Copper (Cu)	G 1/4"	3.30	D4916	Copper (Cu)	G 1/8"	0.75
V10055	Stainless Steel	G 1/4"	0.50	D4873	Copper (Cu)	G 1/8"	1.00