



C1 Bulkhead connector

PS/PD Series

C2 Wrench

SG/SD Series

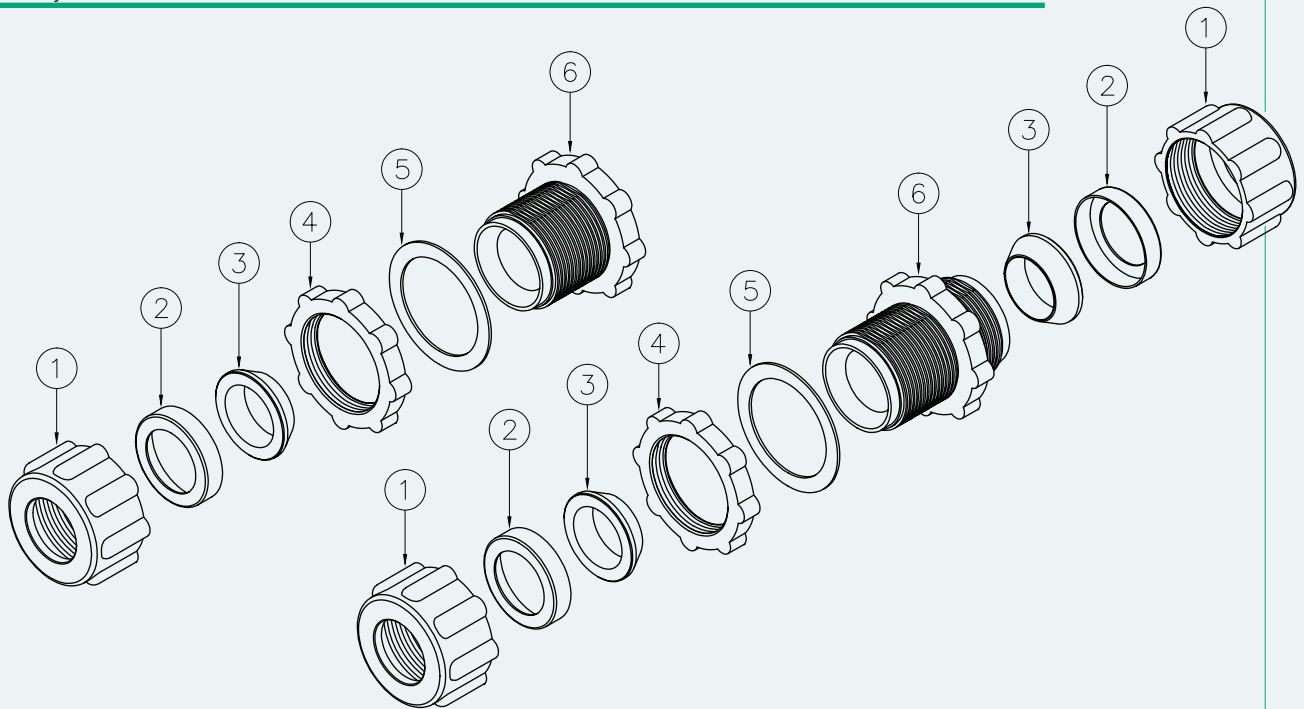
PS/PD PS/ PD Series



P Series Bulkhead connectors provide a simple and economic solution to installation by eliminating the need for welding or threaded pipe connections.

- **PD Series** is a double ended connector for two-piece blow tube
- **PS Series** is a single ended connector for one-piece blow tube

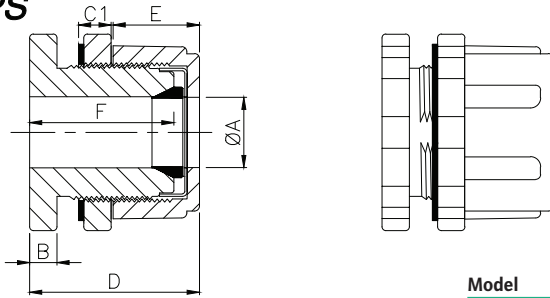
DESCRIPTION	PS20	PS25	PS40	PS50
1 Compression nut	TDAL20/25	TDAL25	TDAL40	TDAL50
2 Retainer ring	OG20	OG25	OG40	OG50
3 Conical seal	G CON20	G CON25	G CON40	G CON50
4 Lock nut	TGBA25	TGBA25	TGBA40	TGBA50
5 Gasket	TFIBRA70x54x1,5	TFIBRA70x54x1,5	TFIBRA90x70x1,5	TRON115x88x5
6 Body	TPAS20/LAV	TPAS25/LAV	TPAS40/LAV	TPASS50/LAV



DESCRIPTION	PD20	PD25	PD40	PD50
1 Compression nut	TDAL20/25	TDAL25	TDAL40	TDAL50
2 Retainer ring	OG20	OG25	OG40	OG50
3 Conical seal	G CON20	G CON25	G CON40	G CON50
4 Lock nut	TGBA25	TGBA25	TGBA40	TGBA50
5 Gasket	TFIBRA70x54x1,5	TFIBRA70x54x1,5	TFIBRA90x70x1,5	TRON11x88x5
6 Body	TPAS20	TPAS25	TPAS40	TPASS50

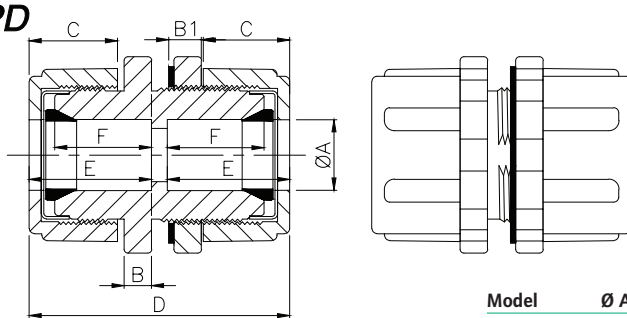
Overall dimensions / PS/PD Series PS/PD

PS



Model	Ø A	B	C1	D	E	F	Weight (Kg)
PS 20	3/4"	10,5	12,5	67	35	56	0,5
PS 25	1"	10,5	12,5	67	35	56	0,4
PS 40	1"1/2	15	16,5	92	40	79	0,8
PS 50	2"	15,5	29	98	42	83	1,6

PD

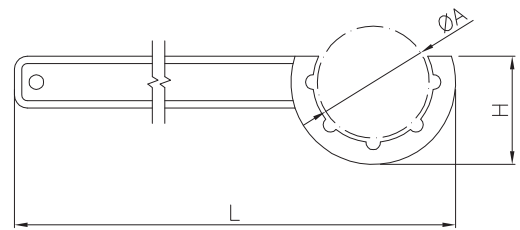
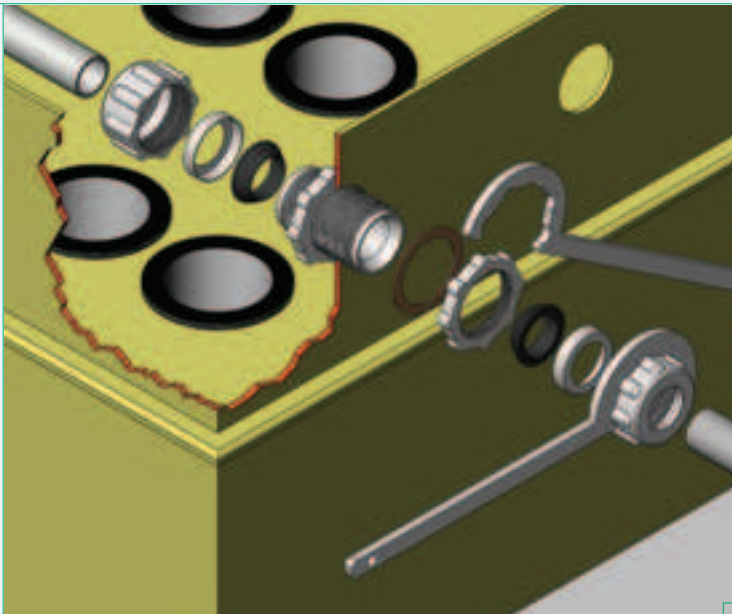


Model	Ø A	B	B1	C	D	E	F	Weight (Kg)
PD 20	3/4"	10,5	12,5	35	105	50	39	0,7
PD 25	1"	10,5	12,5	35	105	50	39	0,6
PD 40	1"1/2	15	16,5	40	140	67	55	1,2
PD 50	2"	15,5	29	42	150	-	-	2,2

TECHNICAL CHARACTERISTICS

Body, lock nut, compression nut	Die cast aluminium	
Seal	NBR	-30°C / +100°C
	Silicon	-60°C / +200°C
ASSEMBLY HOLE	3/4"	Wall hole ø min. 56
	1"	Wall hole ø min. 56
	1"1/2	Wall hole ø min. 72
	2"	Wall hole ø min. 93





WRENCH SD FOR COMPRESSION NUT

Model	Ø	A	H	L
SD20	3/4"	61	70	350
SD25	1"	61	70	350
SD40	1"1/2	82	85	430
SD50	2"	110	100	430

WRENCH SG FOR LOCK NUT

Model	Ø	A	H	L
SG20	3/4"	70	65	350
SG25	1"	70	65	350
SG40	1"1/2	90	85	430
SG50	2"	120	100	430