



## Remote Pilots

E1

**SR Series**

**TSRM Series**

E2

**LD Series**

## HOW TO ORDER

### REMOTE PILOT VALVE

Designed for panel mounting or Turbo boxes. Two models are available:

- **Series SR/TSRM, max. length of pilot tubes 3m**
- **Series LD, max. length of pilot tubes 10m**

Two ways normally closed. Tubes 6 or 8 mm. diameter should be used for pneumatic connections to the pulse valves.

*example*

**SRM**

**02450**

**SRC** : PILOT VALVE WITH CONNECTOR  
**SRM** : PILOT VALVE SCREWS TERMINAL  
**TSRM**: PILOT VALVE WITH FASTON CONNECTION  
**LDC** : PILOT VALVE WITH CONNECTOR  
**LDM** : PILOT VALVE SCREWS TERMINAL

#### VOLTAGE

24V/50-60Hz =02450  
 115V/50-60Hz =11050  
 230V/50-60Hz =22050  
 24VDC =024DC  
 (TSRM = 024DC - 5W9)

Code **SRM02450** is for pilot valve with screws terminal (**SRM**) power supply 24V 50Hz (**02450**).

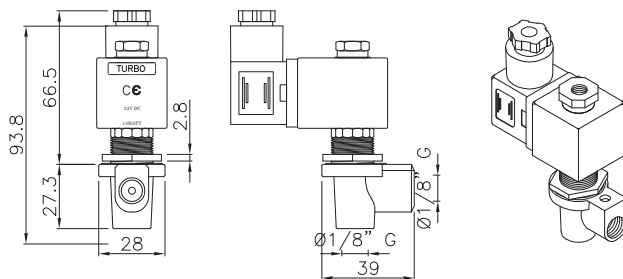
SR/TSRM Series **SR/TSRM**



**CHARACTERISTICS**

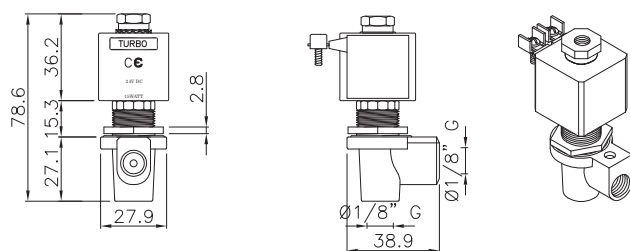
<b>Fluid</b>	Filtered and oilfree compressed air
<b>Operating pressure</b>	min 0,5 bar - max 7,5 bar
<b>Temperature range</b>	-20°C +80°C
<b>Body</b>	Brass
<b>Core tube</b>	Stainless steel
<b>Plunger</b>	Stainless steel
<b>Coil insulation</b>	Class H
<b>Connector</b>	PG9 / IP 65
<b>Standard voltages</b>	230 -110 - 24V/50-60VHz (19 VA) 24VDC (15W) - 24VDC (5W)

**SRC - IP65**

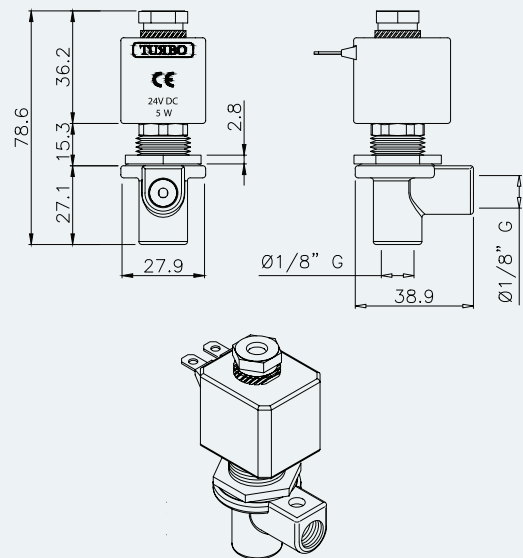


Ex Available with ATEX coil zone 21 and zone 22

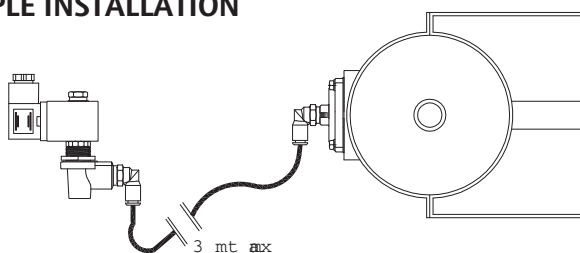
**SRM - IP00**



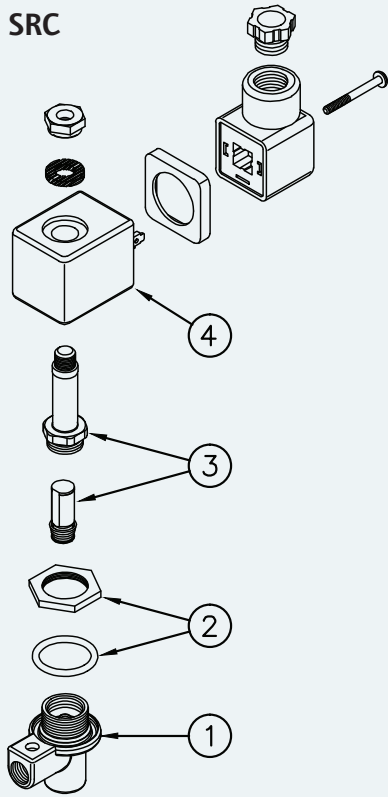
**TSRM IP00**



**SAMPLE INSTALLATION**

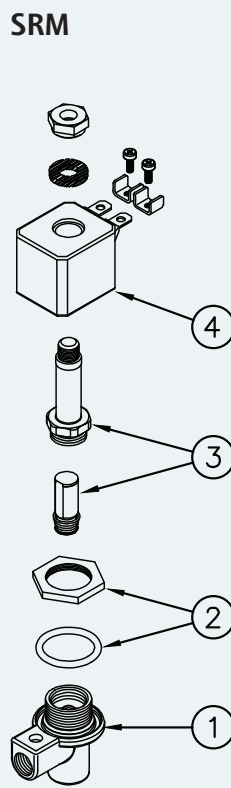


SRC



Description	SRC
1 Body	PCRP
2 Lock nut +O-ring	TGHIERA 18x1 + G OR3081
3 Pole assembly	GPC10
4 Coil + Din Connector	BH10

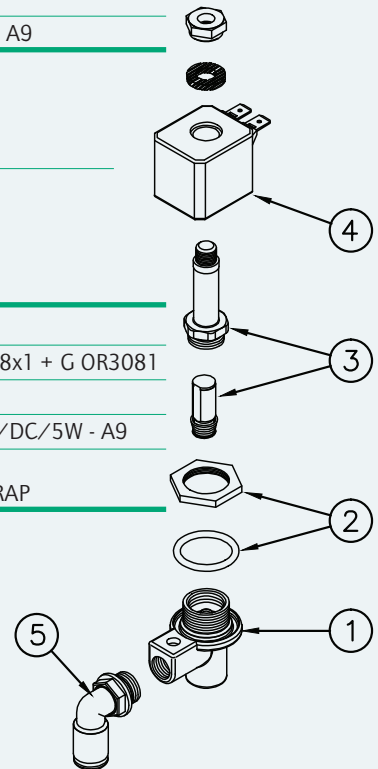
SRM



Description	SRM
1 Body	PCRP
2 Lock nut +O-ring	TGHIERA 18x1 + G OR3081
3 Pole assembly	GPC10/R
4 Coil	BH10.../.. - A9

TSRM

Description	TSRM
1 Body	PCRP
2 Lock nut +O-ring	TGHIERA 18x1 + G OR3081
3 Pole assembly	GPC10/R
4 Coil	BH10 024/DC/5W - A9
5 Quick fitting for rilsan tube 6x4	TGOMINNRAP



Remote pilots for long distance/ LD Series

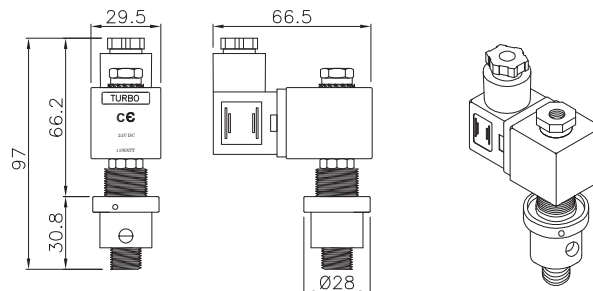
LD



**CHARACTERISTICS**

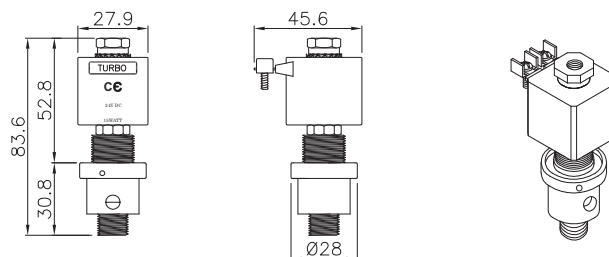
<b>Fluid</b>	Filtered and oilfree compressed air
<b>Operating pressure</b>	min 0,5 bar - max 7,5 bar
<b>Temperature range</b>	-20°C +80°C
<b>Body</b>	Brass
<b>Core tube</b>	Stainless steel
<b>Plunger</b>	Stainless steel
<b>Coil insulation</b>	Class H
<b>Connector</b>	PG9 / IP 65
<b>Standard voltages</b>	230 -110 - 24V/50-60VHz (19 VA) 24VDC (15W)

LDC

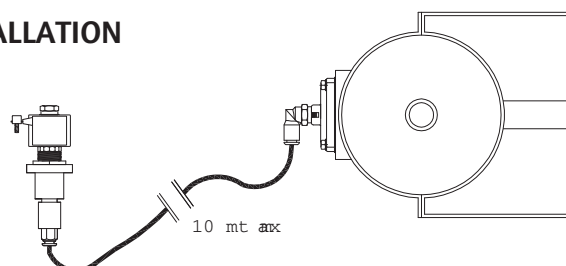


⊕ Available with ATEX coil zone 21 and zone 22

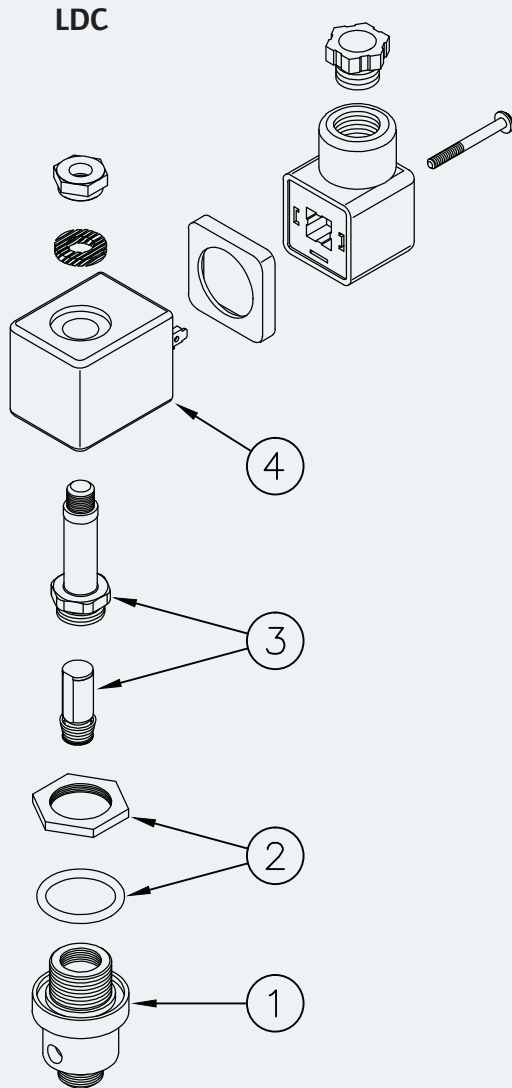
LDM



**SAMPLE INSTALLATION**

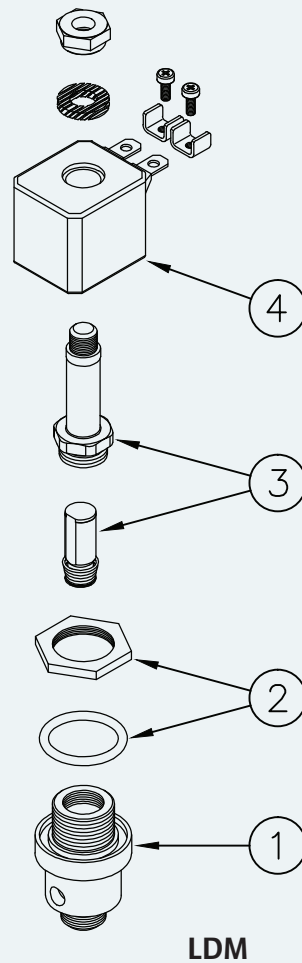


**LD** Remote pilots for long distance/ LD Series



DESCRIPTION	LDC
1 Body	PCRPLD
2 Lock nut + O-ring	TGHIERA18x1+G OR3081
3 Pole assembly	GPC10
4 Coil + Din connector	BH10.../..

DESCRIPTION	LDM
1 Body	PCRPLD
2 Lock nut + O-ring	TGHIERA18x1+G OR3081
3 Pole assembly	GPC10/R
4 Coil	BH10.../.. - A9





## Remote Solenoid Enclosures

- D1 **RCP Series**
- D2 **RLD Series**
- D3 **TRCP Series**

## D HOW THE ORDER

REMOTE SOLENOID ENCLOSURES ACCORDING TO

**ATEX**  **II 3D T100°C**  
**IP66** **NEMA 4 UL50**

Turbo offer a range of pilot valve boxes for outdoor applications and hazardous locations.

Model available:

- **RCP maximum length of pilot tubes 3m**
- **RLD maximum length of pilot tubes 10m**

Tubes 6 or 8 mm should be used for pneumatic connections to the pulse valves.

Remote solenoid enclosures RCP and RLD are supplied with pre-wired electric common terminals.

**TRCP** remote solenoid enclosures have all coils electrical complete cabled on the printed circuit inside the enclosure.

Thermostat with heater is recommended to prevent moisture or freezing inside of remote solenoid enclosures.

This system ensures a minimum temperature of 5°C inside the enclosure.

*example*

**RCP 5 V/... R**

**RCP** : PILOT VALVE BOX IP 66  
**RLD** : PILOT VALVE BOX IP 66  
**TRCP** : PILOT VALVE BOX IP 66

**NUMBER OF PILOT VALVES**

RCP 1-2-3-4-5 (Enclosure small)  
 RCP 6-7-8 (Enclosure medium)  
 RCP 9-10-11-12 (Enclosure large)  
 TRCP 1-2-3-4-5-6-7-8 (Enclosure medium)

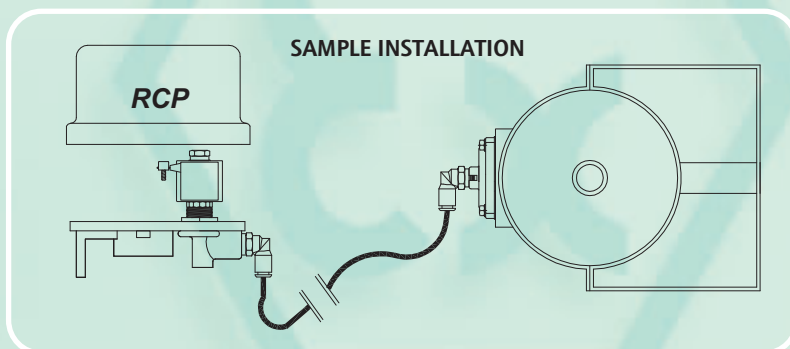
**VOLTAGE**

24V/50-60Hz =02450  
 115V/50-60Hz =11050  
 230V/50-60Hz =22050  
 24VDC =024DC  
 (TRCP = 024DC - 5W)

Heating thermostat (option)

Power 70W for RCP5  
 Power 120W for RCP8 and RCP12

Code RCP5V/...R is for a remote solenoid enclosures IP 66 (**RCP**) with five pilots mounted electrical (**5**), power supply 24V 50Hz (**V/ ...**), with heating thermostat (**R**).





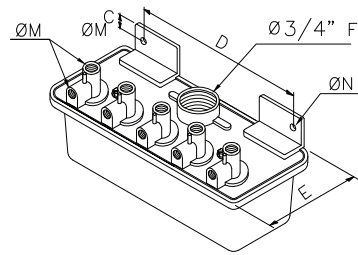
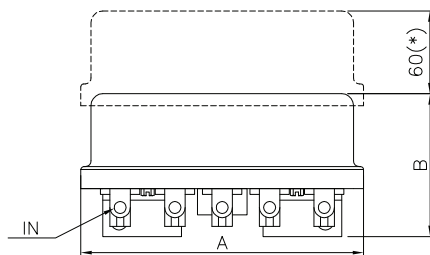


**CHARACTERISTICS**

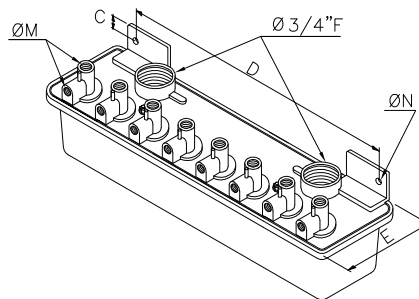
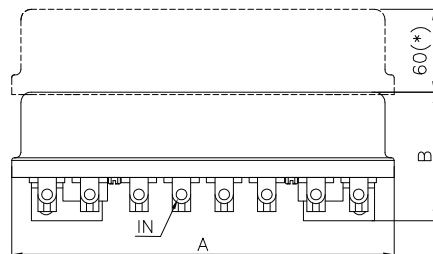
<b>Fluid</b>	Filtered and oilfree compressed air
<b>Operating pressure</b>	min 0,5 bar - max 7,5 bar
<b>Temperature range</b>	-20°C +80°C
<b>W/ Heating</b>	-40°C +80°C
<b>Base and cover</b>	Die cast aluminium
<b>Core tube</b>	Stainless steel
<b>Plunger</b>	Stainless steel
<b>Screws</b>	Stainless steel
<b>Coil insulation</b>	Class H
<b>Protection</b>	IP66
<b>Standard voltages</b>	230 -110 - 24V 50-60VHz 19 VA 24VDC 15W

(\*) Minimum distance to allow the opening of the cover

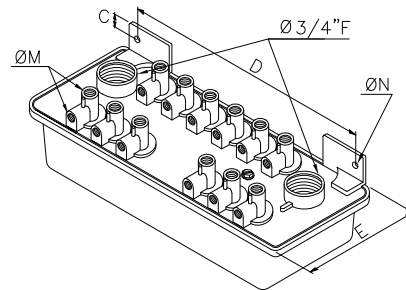
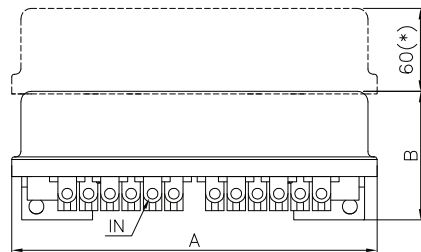
**RCP5**



**RCP8**



**RCP12**



Model	A	B	C	D	E	Ø M	Ø N	Weight (Kg)
<b>RCP5</b>	210	98	10	156	100	1/8"	11	1,7
<b>RCP8</b>	333	98	10	267	100	1/8"	11	3,2
<b>RCP12</b>	306	97	10	237	152	1/8"	11	4,4

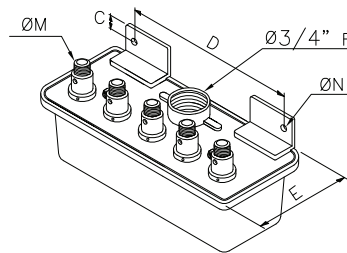
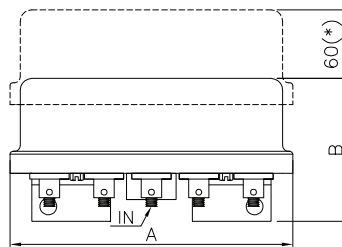


**CHARACTERISTICS**

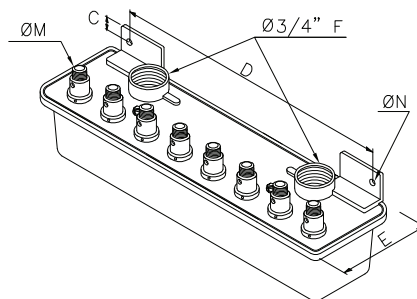
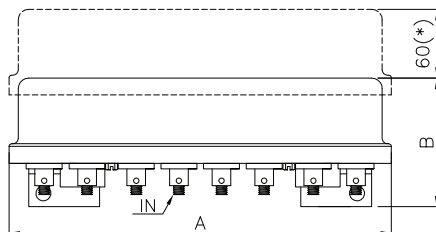
<b>Fluid</b>	Filtered and oilfree compressed air
<b>Operating pressure</b>	min 0,5 bar - max 7,5 bar
<b>Temperature range</b>	-20°C +80°C
<b>W/ Heating</b>	-40°C +80°C
<b>Base and cover</b>	Die cast aluminium
<b>Core tube</b>	Stainless steel
<b>Plunger</b>	Stainless steel
<b>Screws</b>	Stainless steel
<b>Coil insulation</b>	Class H
<b>Protection</b>	IP66
<b>Standard voltages</b>	230 -110 - 24V 50-60VHz 19 VA 24VDC 15W

(\*) Minimum distance to allow the opening of the cover

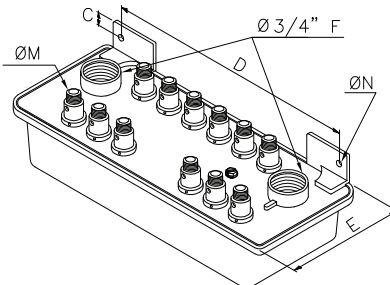
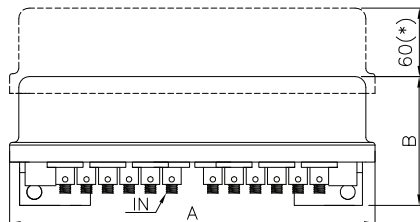
**RLD5**



**RLD8**



**RLD12**



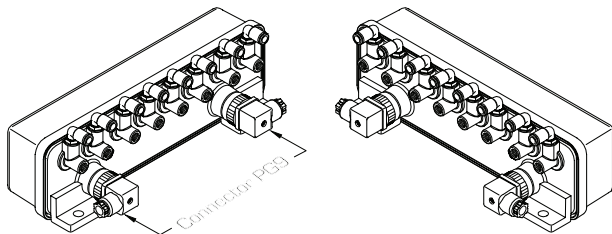
Model	A	B	C	D	E	Ø M	Ø N	Weight (Kg)
RLD5	210	98	10	156	100	1/8"	11	1,7
RLD8	333	98	10	267	100	1/8"	11	3,2
RLD12	306	97	10	237	152	1/8"	11	4,4

TRCP Series **TRCP**

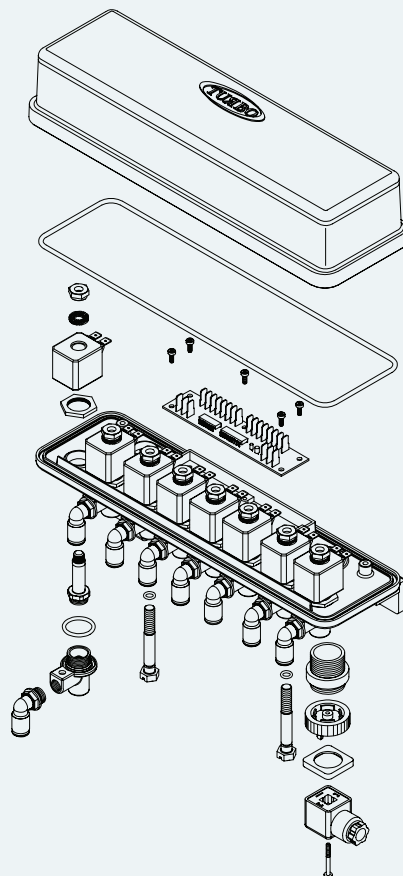
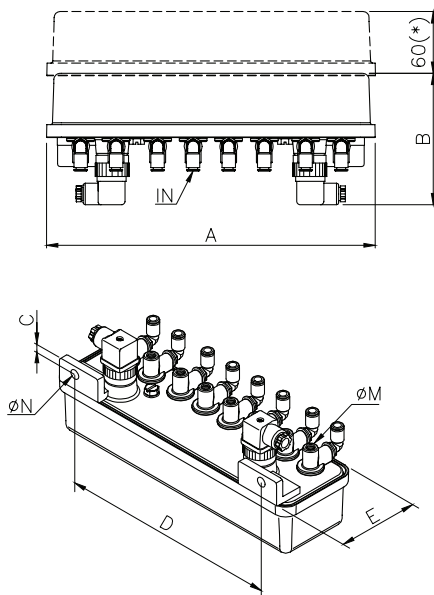


**CHARACTERISTICS**

<b>Fluid</b>	Filtered and oilfree compressed air
<b>Operating pressure</b>	min 0,5 bar - max 7,5 bar
<b>Temperature range</b>	-20°C +80°C
<b>Base and cover</b>	Die cast aluminium
<b>Core tube</b>	Stainless steel
<b>Plunger</b>	Stainless steel
<b>Screws</b>	Stainless steel
<b>Coil insulation</b>	Class H
<b>Protection</b>	IP66
<b>Standard voltages</b>	24VDC (5W)



(\*) Minimum distance to allow the opening of the cover



Model	A	B	C	D	E	Ø M	Ø N	Weight (Kg)
<b>TRCP8</b>	333	136,5	10	267	100	1/8"	11	3,3

