



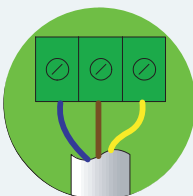
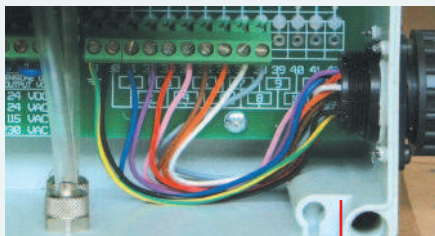
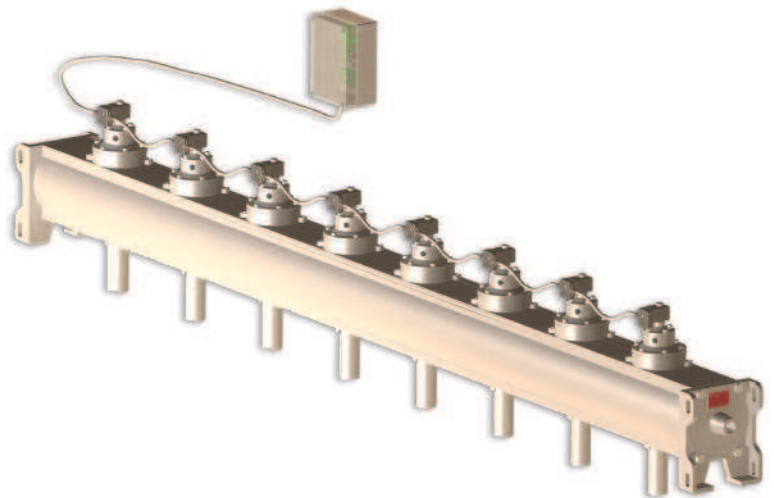
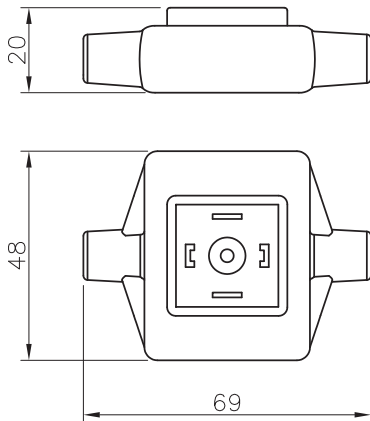
Matrix System is designed to reduce time and cost of wiring installation. Matrix require a simple connection to the sequencer and to pulse valve.

FEATURES

Matrix consist in moulded prewired connectors for pulse valve Turbo provide Matrix connectors with desired pitch between valves. Is compatible with any sequence controller available from the market. Matrix can be supplied factory plugged to pulse valves on the header tank

TECHNICAL CHARACTERISTICS

Connectors	Up to 12 per single belt
Cable diameter	8 mm
Protection	IP65
Temperature range	-20°C / +80°C



HOW TO ORDER

