

AIR PRESSURE 6 bar: B min. = 46 P min. = 91
 AIR PRESSURE 8 bar: B min. = 61 P min. = 121

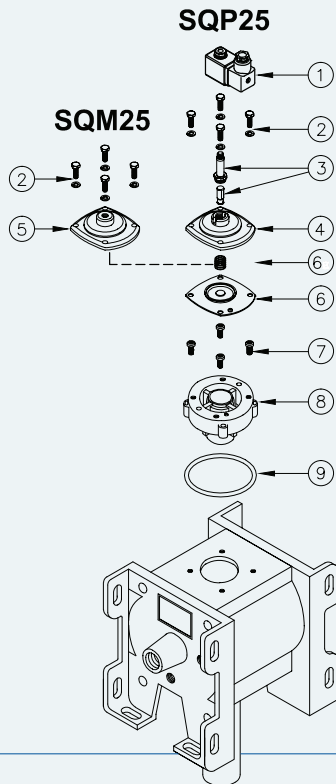
TECHNICAL CARECTERISTICS

- Tank
Extruded anodized aluminium
 - Ends
Die cast aluminium
 - Blow tube
Steel zinc plated
 - O-Rings
NBR
 - Temperature range
-20°C +80°C
 - Operating pressure
0,5 ÷ 6 BAR - 0,5÷ 8 BAR
 - Low temperature
-40°C +80°C
- Blow tubes in Aluminium

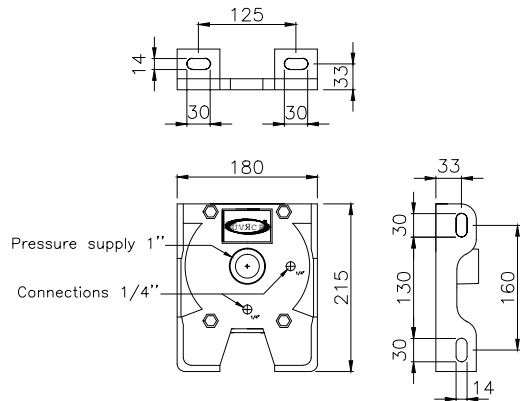
DESCRIPTION

VALVE SQM25/SQP25

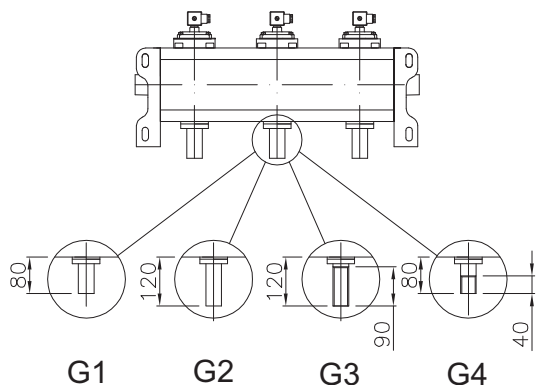
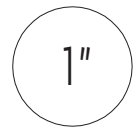
1	Coil + Din connector	BH10..V/50-60Hz
2	Screws + Washers	VTE6x20+TROND6GROWER
3	Pole assembly	GPC10
4	Cover direct drive	TCOP25
5	Remote operated cover	TCOP25FM
6	Diaphragm	M25
6a	Spring	TMOL10G
7	Screws	VTCE16x16
8	Body	TCOR25IMO
9	O-ring	GOR65x4



MOUNTING HOLES

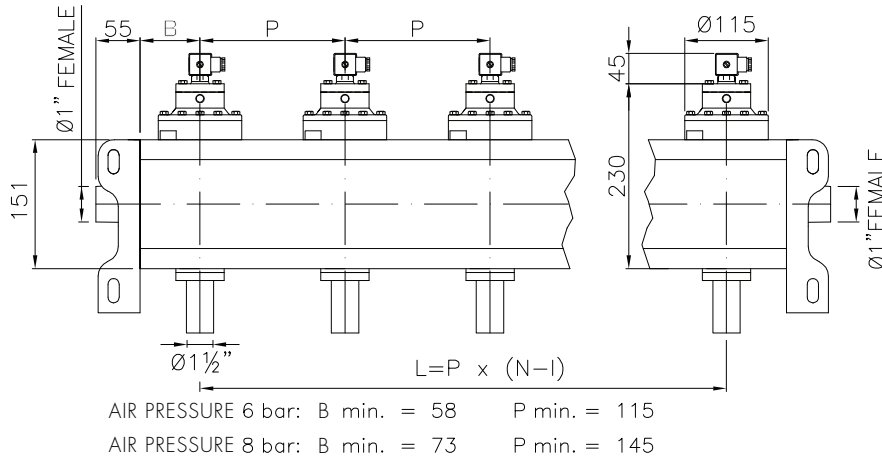


- SHORT PLAIN TUBE = G1
- LONG PLAIN TUBE = G2
- THREADED LONG TUBE = G3
- THREADED SHORT TUBE = G4



Series ALUTANK with 1 1/2" valve

6"



TECHNICAL CHARACTERISTICS

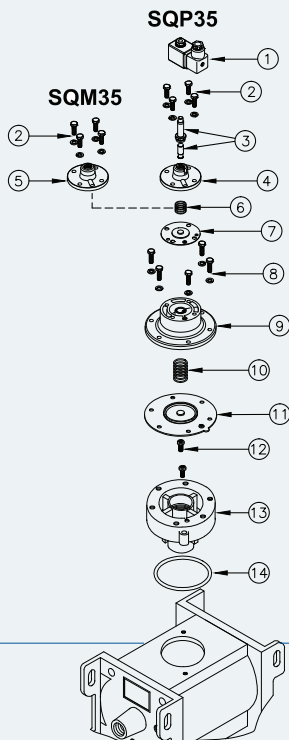
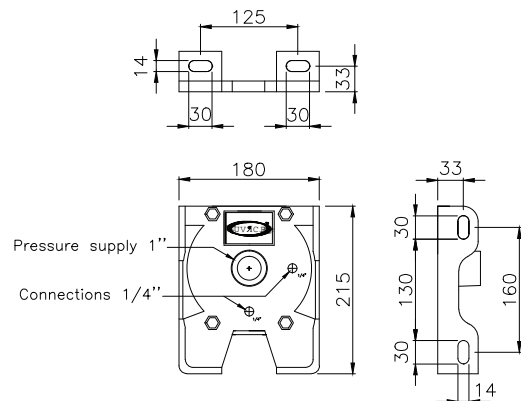
- Tank
Extruded anodized aluminium
- Ends
Die cast aluminium
- Blow tube
Steel zinc plated
- O-Rings
NBR
- Temperature range
-20°C +80°C
- Operating pressure
0,5 ÷ 6 BAR - 0,5 ÷ 8 BAR
- Low temperature
-40°C +80°C
Blow tubes in Aluminium

DESCRIPTION

VALVE SQM35/SQP35

1	Coil + Din connector	BH10...V/50-60Hz
2	Screws + Washers	VTE6x18+TROND6GROWER
3	Pole assembly	GPC10
4	Cover direct drive	TCOP10
5	Remote operated cover	TCOP10FM
6	Spring	TMOL10G
7	Diaphragm	M10
8	Screws + Washers	VTE6x20+TROND6GROWER
9	Cover	TCOP35N
10	Spring	TMOL25GHS
11	Diaphragm	M35
12	Screws	VTCEI8x20
13	Body	TCOR35FMGS
14	O-ring	GOR6337

MOUNTING HOLES



- SHORT PLAIN TUBE = G1
- LONG PLAIN TUBE = G2
- THREADED LONG TUBE = G3
- THREADED SHORT TUBE = G4

1 1/2"

