

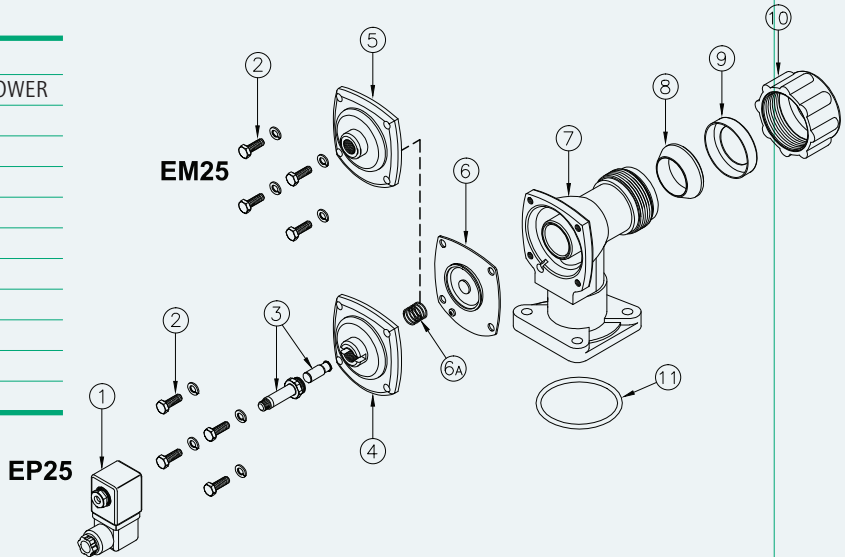


**CHARACTERISTICS**

<b>Fluid</b>	Filtered and oilfree compressed air
<b>Temperature range</b>	STD diaphragm -20°C; +80°C Viton diaphragm -20°C; +200°C
<b>Operating pressure</b>	min 0,5 bar - max 7,5 bar
<b>Body and cover</b>	Die cast aluminium
<b>Core tube</b>	Stainless steel
<b>Plunger</b>	Stainless steel
<b>Screws</b>	Stainless steel
<b>Coil insulation</b>	Class H
<b>Din's connector</b>	PG 9 EN175301-803
<b>Protection Din's connector + Coil</b>	IP65 EN60529
<b>Standard voltage</b>	24V/50-60Hz (±10%) 19VA 115V/50-60Hz (±10%) 19VA 230V/50-60Hz (±10%) 19VA 24VDC (± 10%) 18 Watt

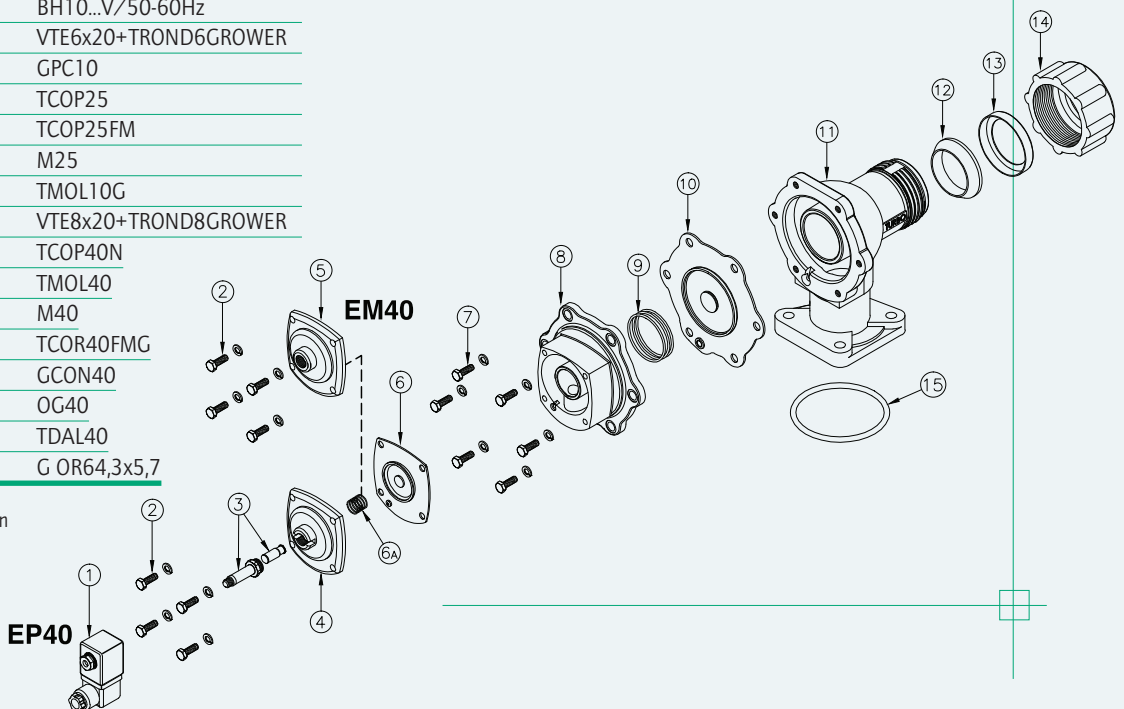
DESCRIPTION	VALVE EM25/EP25
1 Coil + Din Connector	BH10...V/50-60Hz
2 Screws + Washers	VTE6x20+TROND6GROWER
3 Pole assembly	GPC10
4 Cover direct drive	TCOP25/EM
5 Remote operated cover	TCOP25FM/EM
6 Diaphragm	M25/EM/EP
6a Spring	TMOL10G
7 Body	TCOR25FMG
8 Conical seal	G CON25
9 Retainer ring	OG25
10 Compression nut	TDAL25
11 O-ring	G OR55x6

EP Integral solenoid pilot version  
EM Remote pilot version



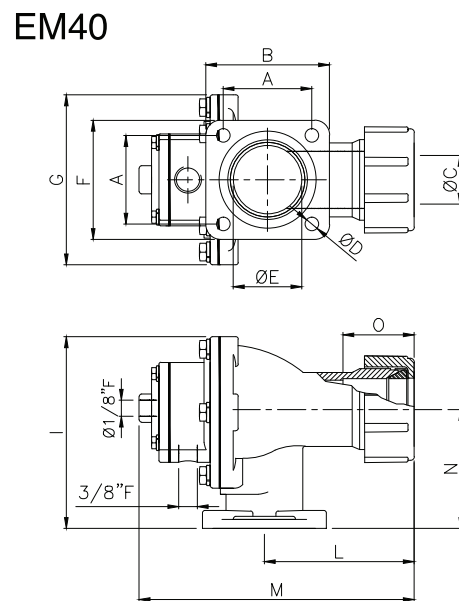
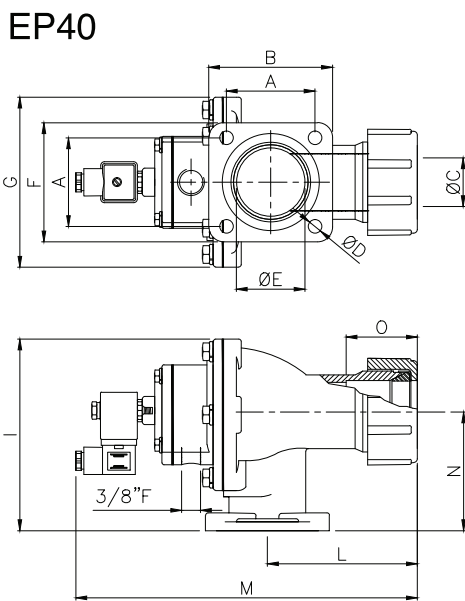
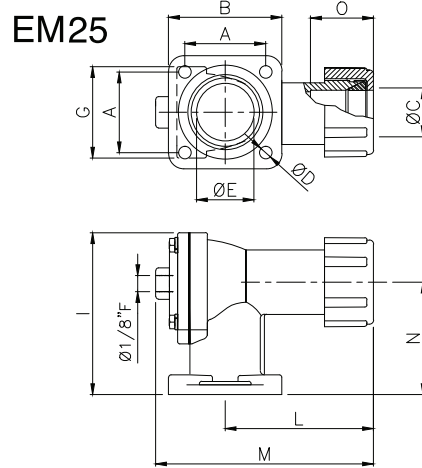
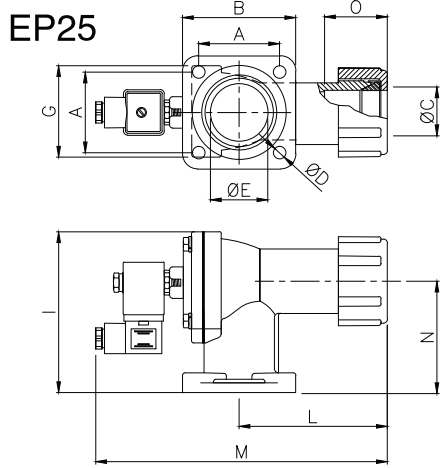
DESCRIPTION	VALVE EM40/EP40
1 Coil + Din Connector	BH10...V/50-60Hz
2 Screws + Washers	VTE6x20+TROND6GROWER
3 Pole assembly	GPC10
4 Cover direct drive	TCOP25
5 Remote operated cover	TCOP25FM
6 Diaphragm	M25
6a Spring	TMOL10G
7 Screws + Washers	VTE8x20+TROND8GROWER
8 Cover	TCOP40N
9 Spring	TMOL40
10 Main diaphragm	M40
11 Body	TCOR40FMG
12 Conical seal	GCON40
13 Retainer ring	OG40
14 Compression nut	TDAL40
15 O-ring	G OR64,3x5,7

EP Integral solenoid pilot version  
EM Remote pilot version



Overall dimensions / D Series

E



Model	Ø C	A	B	Ø D	F	G	I	L	M	N	Ø E	Weight (Kg)
EP 25	1"	60	82	9	82	74	119	106	217	81	1"1/2	1
EP 40	1"1/2	72	99	11	96	140	160	115	278	96	2"	2,3
EM 25	1"	60	82	9	82	74	119	106	159	81	1"1/2	0,9
EM 40	1"1/2	72	99	11	96	140	160	115	220	96	2"	2,1