

F **F Series**



CHARACTERISTICS

Fluid	Filtered and oilfree compressed air
Temperature range	STD diaphragm -20°C; +80°C Viton diaphragm -20°C; +200°C
Operating pressure	min 0,5 bar - max 7,5 bar
Body and cover	Die cast aluminium
Core tube	Stainless steel
Plunger	Stainless steel
Screws	Stainless steel
Coil insulation	Class H
Din's connector	PG 9 EN175301-803
Protection Din's connector + Coil	IP65 EN60529
Standard voltage	24V/50-60Hz (±10%) 19VA 115V/50-60Hz (±10%) 19VA 230V/50-60Hz (±10%) 19VA 24VDC (± 10%) 18 Watt

DESCRIPTION	VALVE FM20/FP20	VALVE FM25/FP25
1 Coil + Din Connector	BH10...V/50-60Hz	BH10...V/50-60Hz
2 Screws + Washers	VTE6x20+TROND6GROWER	VTE6x20+TROND6GROWER
3 Pole assembly	GPC10	GPC10
4 Cover direct drive	TCOP25	TCOP25
5 Remote operated cover	TCOP25FM	TCOP25FM
6 Diaphragm	M25	M25
6a Spring	TMOL10G	TMOL10G
7 Body	TCOR20FFG	TCOR25FFG

FP Integral solenoid pilot version / FM Remote pilot version

DESCRIPTION	VALVE FM40/FP40	VALVE FM55/FP55	VALVE FM65/FP65
1 Coil + Din Connector	BH10...V/50-60Hz	BH10...V/50-60Hz	BH10...V/50-60Hz
2 Screws + Washers	VTE6x20+TROND6GROWER	VTE6x20+TROND6GROWER	VTE6x20+TROND6GROWER
3 Pole assembly	GPC10	GPC10	GPC10
4 Cover direct drive	TCOP25	TCOP25	TCOP25
5 Remote operated cover	TCOP25FM	TCOP25FM	TCOP25FM
6 Diaphragm	M25	M25	M25
6a Spring	TMOL10G	TMOL10G	TMOL10G
7 Screws + Washers	VTE8x20+TROND8GROWER	VTE10x25+TROND10GROWER	VTE10x25+TROND10GROWER
8 Cover	TCOP40N	TCOP65G	TCOP65G
9 Spring	TMOL40	TMOL40	TMOL40
10 Main diaphragm	M40	M55/LP	M76
11 Body	TCOR40FFG	TCOR55FFG	TCOR65FFGP

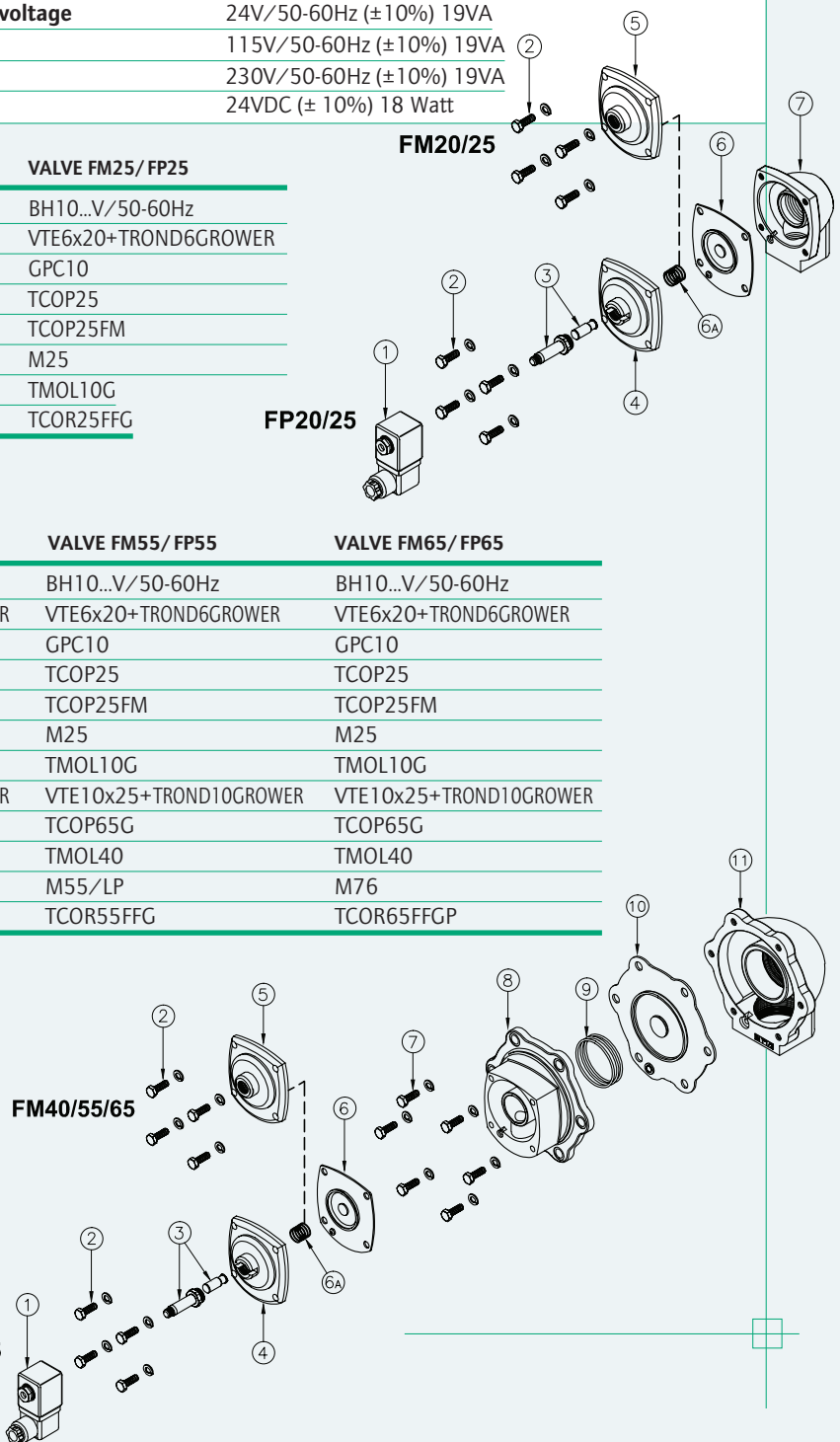
FP Integral solenoid pilot version / FM Remote pilot version

FM20/25

FP20/25

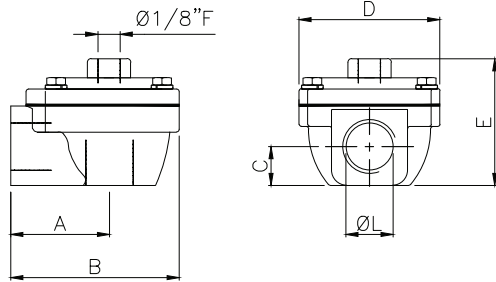
FM40/55/65

FP40/55/65

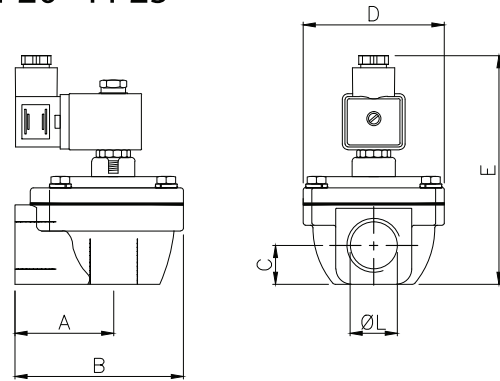


Overall dimensions / F Series **F**

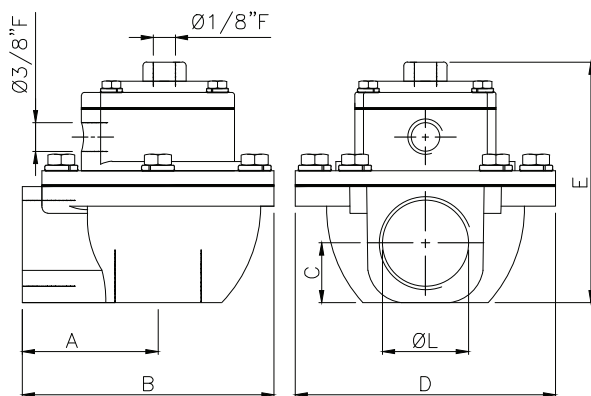
FM20 - FM25



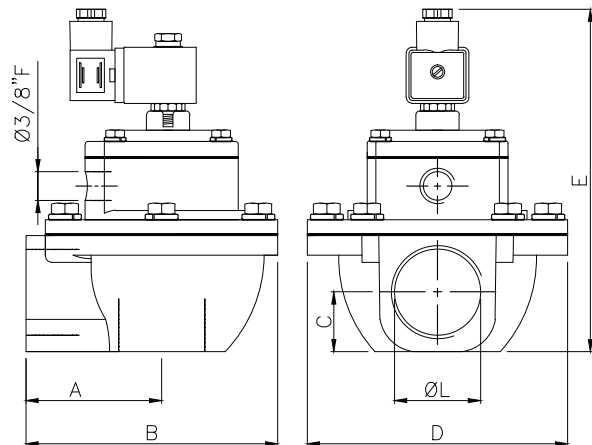
FP20 - FP25



FM40 - FM55 - FM65



FP40 - FP55 - FP65



Model	Ø L (nom)	A	B	C	D	E	Weight (Kg)
FP 20	3/4"	52	90	20,5	74	~125	0,6
FP 25	1"	52	90	20,5	74	~125	0,5
FP 40	1"1/2	71,3	135	31	140	~188	1,6
FP 55	2"	114	203	40	194	~225	3,7
FP 65	2"1/2	114	203	48	194	~225	3,6
FM 20	3/4"	52	90	20,5	74	~67	0,4
FM 25	1"	52	90	20,5	74	~67	0,3
FM 40	1"1/2	71,3	135	31	140	~130	1,4
FM 55	2"	114	203	40	194	~167	3,5
FM 65	2"1/2	114	203	48	194	~167	3,4

Note: Threads can also be implemented in NPT.
For information, please contact our technical Department.

F **F Series**



CHARACTERISTICS

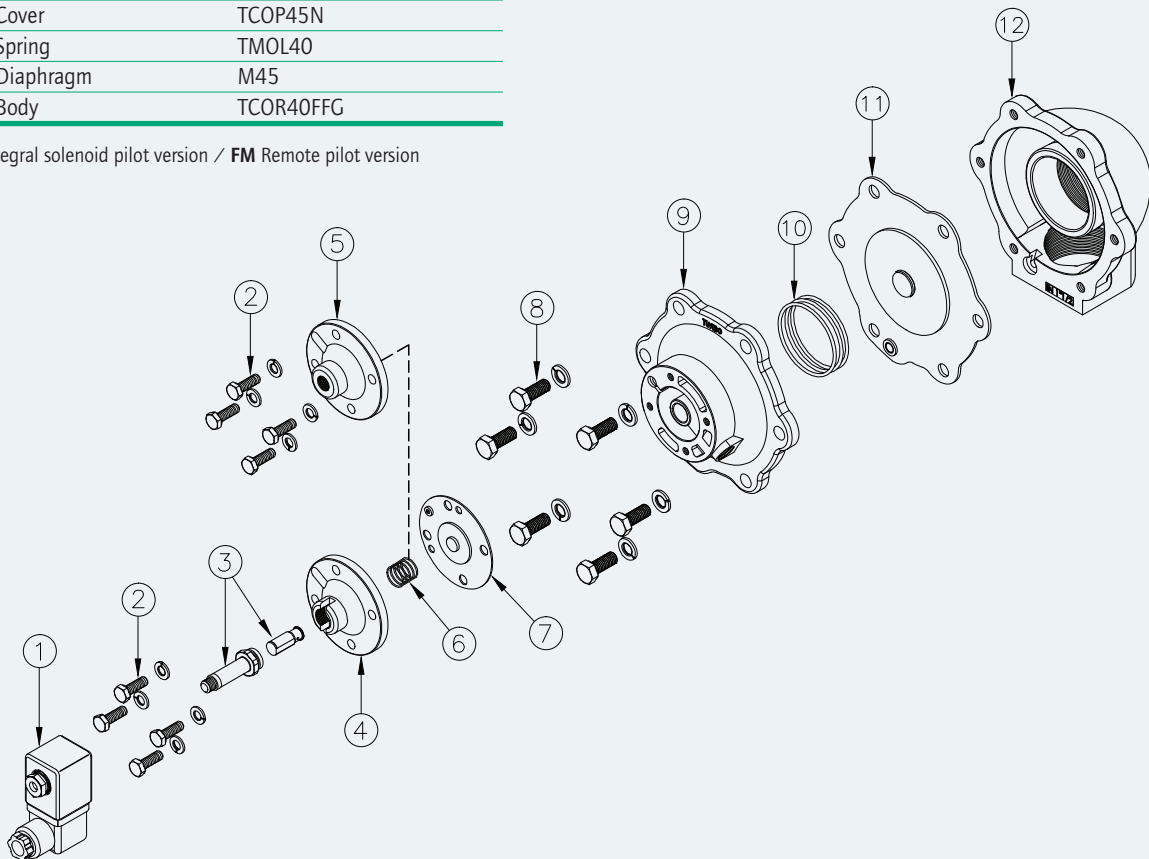
Fluid	Filtered and oilfree compressed air
Temperature range	STD diaphragm -20°C; +80°C Viton diaphragm -20°C; +200°C
Operating pressure	min 0,5 bar - max 7,5 bar
Body and cover	Die cast aluminium
Core tube	Stainless steel
Plunger	Stainless steel
Screws	Stainless steel
Coil insulation	Class H
Din's connector	PG 9 EN175301-803
Protection Din's connector + Coil	IP65 EN60529
Standard voltage	24V/50-60Hz (±10%) 19VA 115V/50-60Hz (±10%) 19VA 230V/50-60Hz (±10%) 19VA 24VDC (±10%) 18 Watt

DESCRIPTION

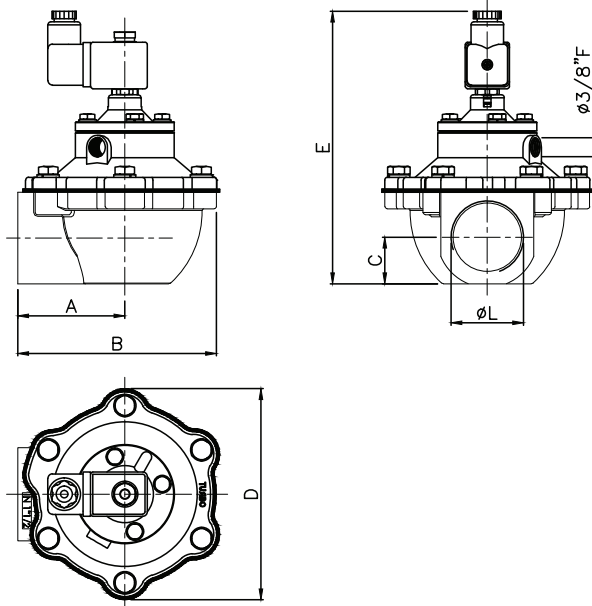
VALVE FM45/FP45

DESCRIPTION	VALVE FM45/FP45
1 Coil + Din Connector	BH10...V/50-60Hz
2 Screws + Washers	VTE6x18+TROND6GROWER
3 Pole assembly	GPC10
4 Cover direct drive	TCOP10
5 Remote operated cover	TCOP10FM
6 Spring	TMOL10G
7 Diaphragm	M10
8 Screws + Washers	VTE8x20+TROND8GROWER
9 Cover	TCOP45N
10 Spring	TMOL40
11 Diaphragm	M45
12 Body	TCOR40FFG

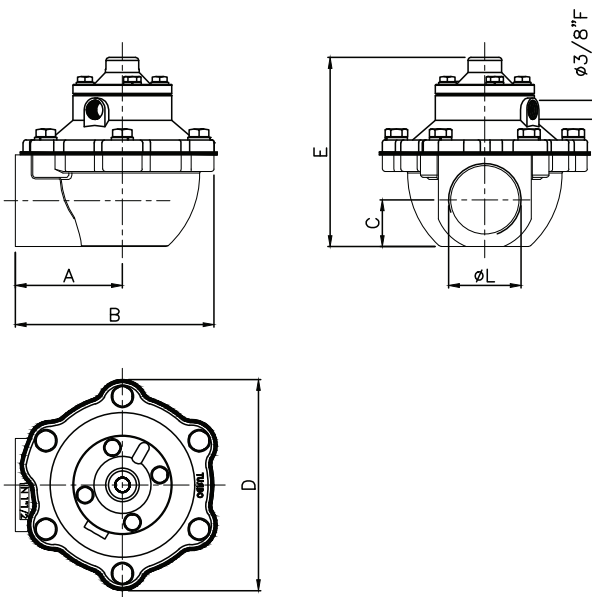
FP Integral solenoid pilot version / FM Remote pilot version



FP45



FM45



Model	Ø L (nom)	A	B	C	D	E	Weight (Kg)
FP 45	1"1/2	71,3	135	31	140	~180	1,6
FM 45	1"1/2	71,3	135	31	140	~122	1,4