

FD FD Series Ø1"

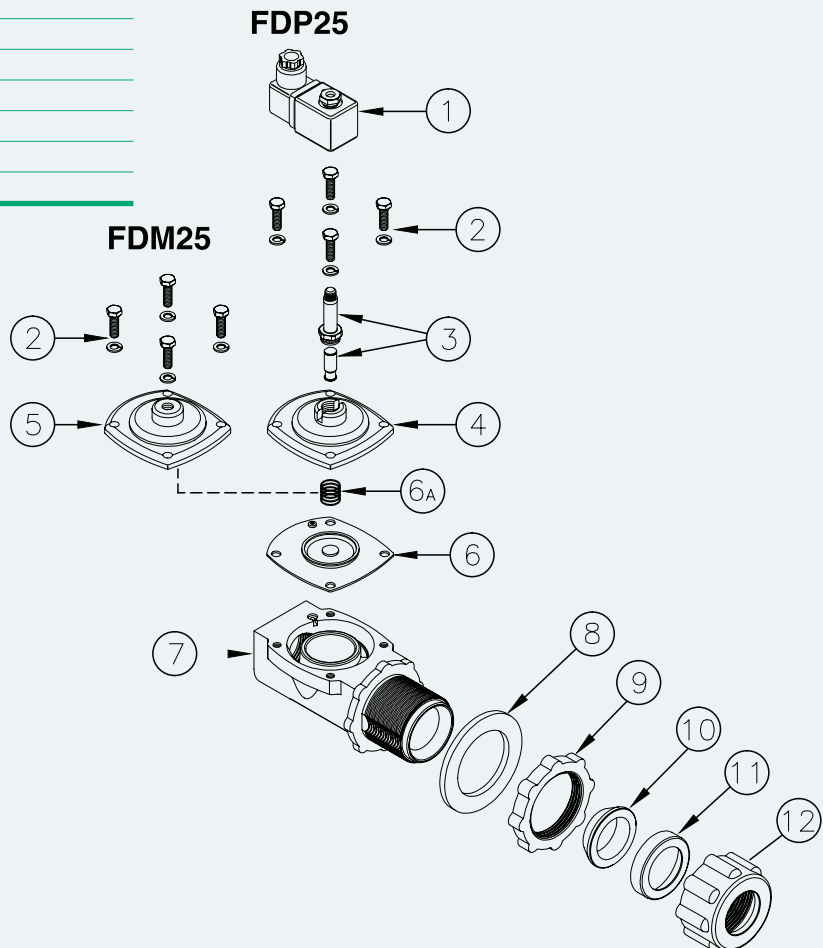


CHARACTERISTICS

Fluid	Filtered and oilfree compressed air
Temperature range	STD diaphragm -20°C; +80°C Viton diaphragm -20°C; +200°C
Operating pressure	min 0,5 bar - max 7,5 bar
Body and cover	Die cast aluminium
Core tube	Stainless steel
Plunger	Stainless steel
Screws	Stainless steel
Coil insulation	Class H
Din's connector	PG 9 EN175301-803
Protection Din's connector + Coil	IP65 EN60529
Standard voltage	24V/50-60Hz (±10%) 19VA 115V/50-60Hz (±10%) 19VA 230V/50-60Hz (±10%) 19VA 24VDC (± 10%) 18 Watt

DESCRIPTION	VALVE FDM25/FDP25
1 Coil + Din Connector	BH10...V/50-60Hz
2 Screws + Washers	VTE6x20+TROND6GROWER
3 Pole assembly	GPC10
4 Cover direct drive	TCOP25
5 Remote operated cover	TCOP25FM
6 Diaphragm	M25
6a Spring	TMOL10G
7 Body	TCOR25FLG
8 Gasket	TRON80x53x5
9 Lock nut	TGBA25
10 Conical seal	G CON25
11 Retainer ring	OG25
12 Compression Nut	TDAL25

FDP Integral solenoid pilot version  
FDM Remote pilot version

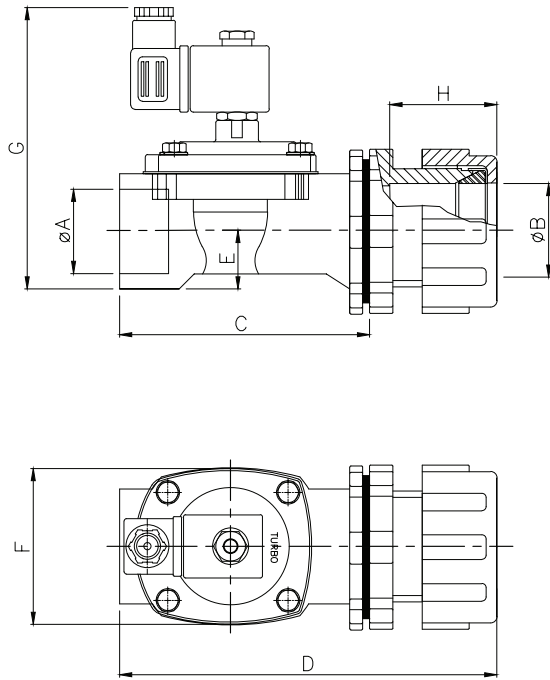


Overall dimensions / FD Series - Ø1"

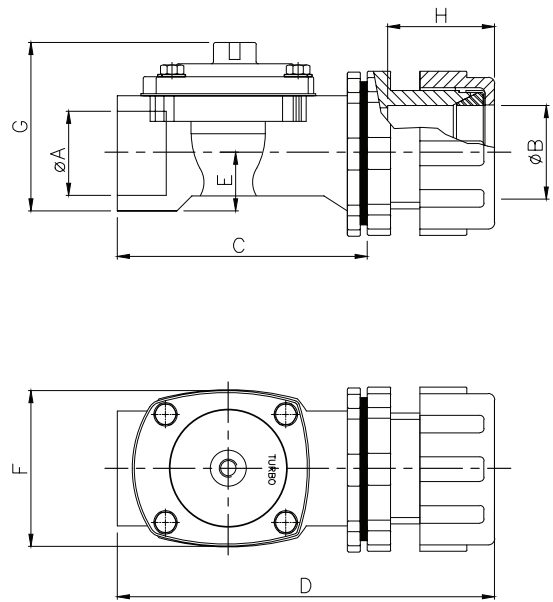
FD

FDP/FDM with compression fitting

FDP25



FDM25



Model	Ø A	Ø B	Ø C	Ø D	Ø E	F	G	H	Weight (Kg)
FDP25	1"1/4	1"	114	172	27	74	132	49,5	1,2
FDM25	1"1/4	1"	114	172	27	74	74	49,5	1

**FD** FD Series Ø1"½



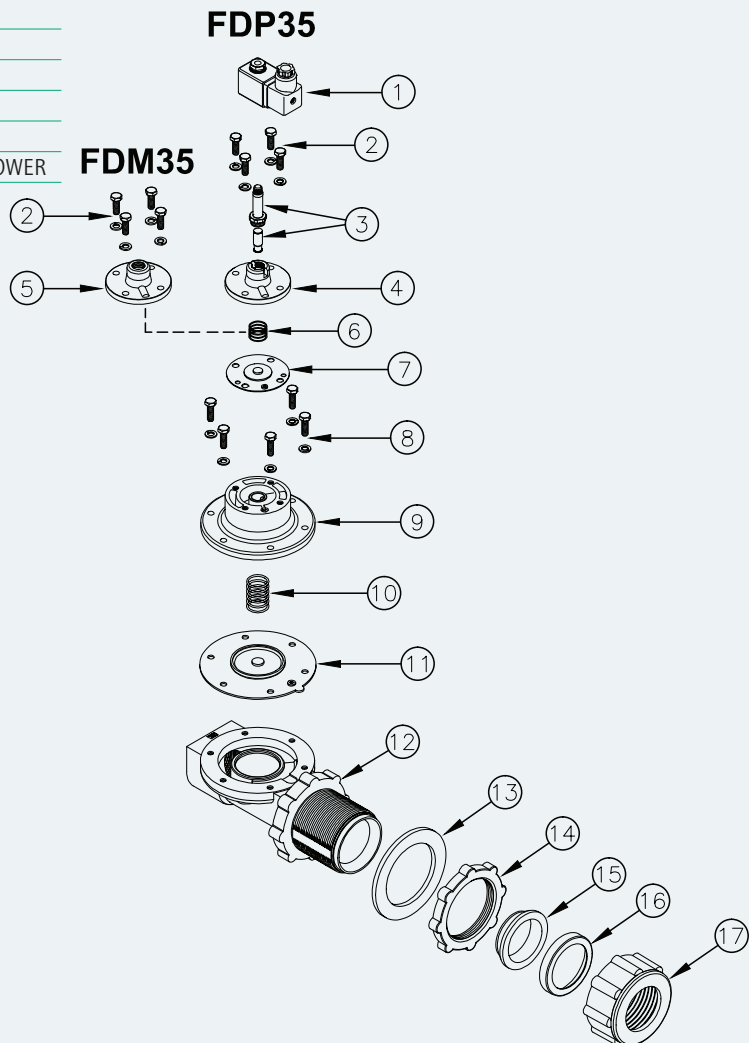
**CHARACTERISTICS**

<b>Fluid</b>	Filtered and oilfree compressed air
<b>Temperature range</b>	STD diaphragm -20°C; +80°C Viton diaphragm -20°C; +200°C
<b>Operating pressure</b>	min 0,5 bar - max 7,5 bar
<b>Body and cover</b>	Die cast aluminium
<b>Core tube</b>	Stainless steel
<b>Plunger</b>	Stainless steel
<b>Screws</b>	Stainless steel
<b>Coil insulation</b>	Class H
<b>Din's connector</b>	PG 9 EN175301-803
<b>Protection Din's connector + Coil</b>	IP65 EN60529
<b>Standard voltage</b>	24V/50-60Hz (±10%) 19VA 115V/50-60Hz (±10%) 19VA 230V/50-60Hz (±10%) 19VA 24VDC (± 10%) 18 Watt

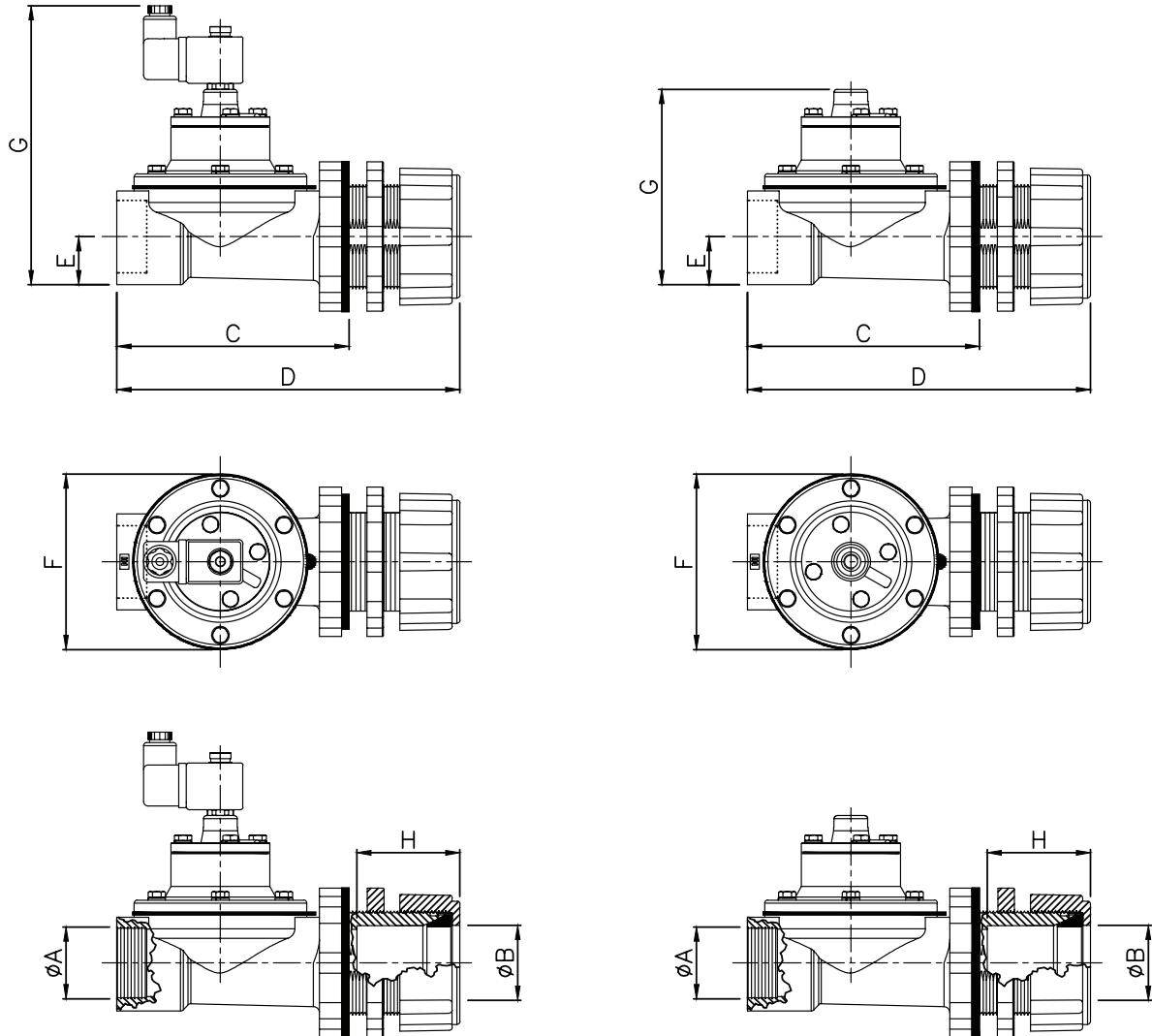
**DESCRIPTION** VALVE FDM35/FDP35

1	Coil + Din Connector	BH10...V/50-60Hz
2	Screws + Washers	VTE6x18+TROND6GROWER
3	Pole assembly	GPC10
4	Cover direct drive	TCOP10
5	Remote operated cover	TCOP10FM
6	Spring	TMOL10G
7	Diaphragm	M10
8	Screws + Washers	VTE6x20+TROND6GROWER
9	Cover	TCOP35N
10	Spring	TMOL25GHS
11	Diaphragm	M35
12	Body	TCOR35FLG
13	Gasket	TRON100x70x5
14	Lock nut	TGBA40
15	Conical seal	G CON40
16	Retainer ring	OG40
17	Compression Nut	TDAL40

**FDP** Integral solenoid pilot version  
**FDM** Remote pilot version



Overall dimensions / FD Series - Ø1" 1/2 **FD**



Model	Ø A	Ø B	C	D	E	F	G	H	Weight (Kg)
<b>FDP35</b>	2"	1"1/2	155	228	32	115	186	67,5	2,3
<b>FDM35</b>	2"	1"1/2	155	228	32	115	131	67,5	2,1

