

**SQ** SQ Series - Ø 1"



**CHARACTERISTICS**

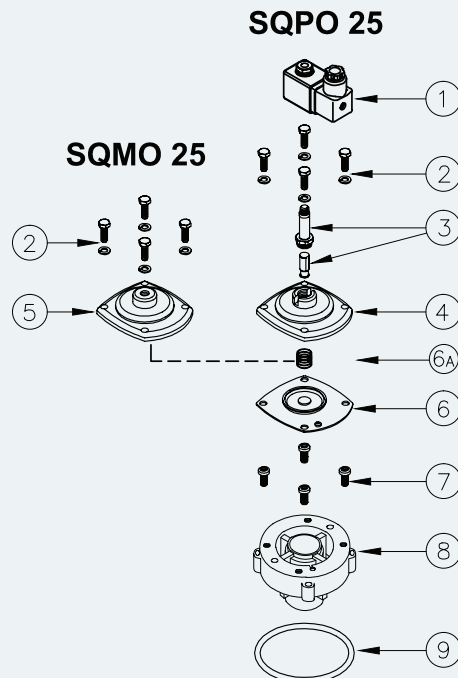
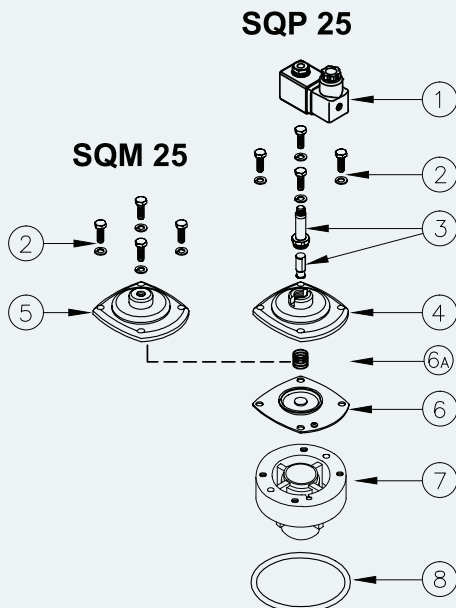
<b>Fluid</b>	Filtered and oilfree compressed air
<b>Temperature range</b>	STD diaphragm -20°C; +80°C Viton diaphragm -20°C; +200°C
<b>Operating pressure</b>	min 0,5 bar - max 7,5 bar
<b>Body and cover</b>	Die cast aluminium
<b>Core tube</b>	Stainless steel
<b>Plunger</b>	Stainless steel
<b>Screws</b>	Stainless steel
<b>Coil insulation</b>	Class H
<b>Din's connector</b>	PG 9 EN175301-803
<b>Protection Din's connector + Coil</b>	IP65 EN60529
<b>Standard voltage</b>	24V/50-60Hz (±10%) 19VA 115V/50-60Hz (±10%) 19VA 230V/50-60Hz (±10%) 19VA 24VDC (± 10%) 18 Watt

DESCRIPTION	VALVE SQM25/ SQP25
1 Coil + Din Connector	BH10...V/50-60Hz
2 Screws + Washers	VTE6x20+TROND6GROWER
3 Pole assembly	GPC10
4 Cover direct drive	TCOP25
5 Remote operated cover	TCOP25FM
6 Diaphragm	M25
6a Spring	TMOL10G
7 Body	TCOR25IM
8 O-ring	G OR65x4

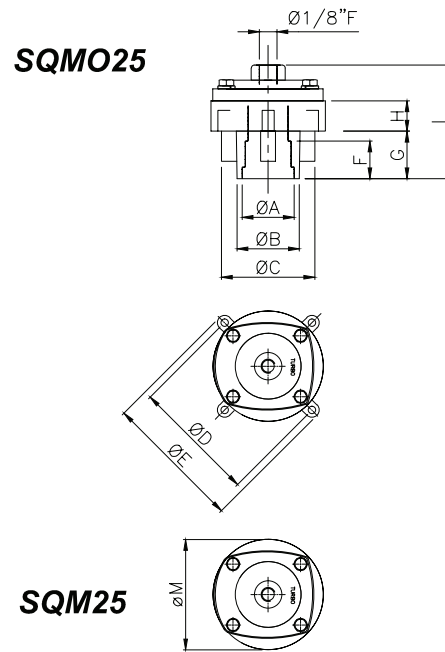
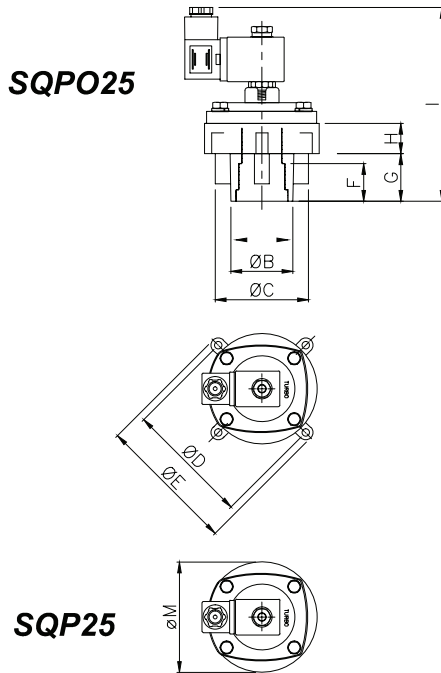
**SQP** Integral solenoid pilot version / **SQM** Remote pilot version

DESCRIPTION	VALVE SQMO25/ SQPO25
1 Coil + Din Connector	BH10...V/50-60Hz
2 Screws + Washers	VTE6x20+TROND6GROWER
3 Pole assembly	GPC10
4 Cover direct drive	TCOP25
5 Remote operated cover	TCOP25FM
6 Diaphragm	M25
6a Spring	TMOL10G
7 Screws	VTCEI6x16
8 Body	TCOR25IMO
9 O-ring	G OR65x4

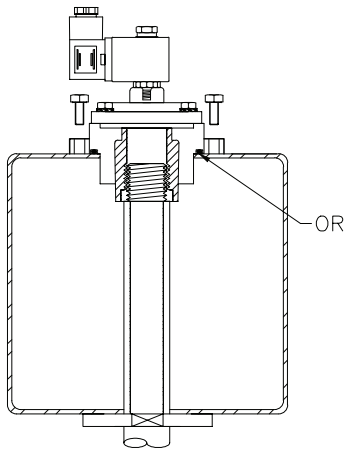
**SQPO** Integral solenoid pilot version / **SQMO** Remote pilot version



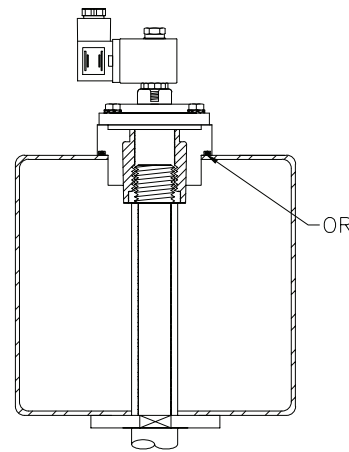
Overall dimensions / SQ Series **SQ**



Mounting SQPO25 / SQMO25



Mounting SQP25 / SQM25



Model	Ø A	Ø B	Ø C	Ø D	Ø E	Ø M	F	G	H	I	L	Weight (Kg)
<b>SQPO 25</b>	1"	41,4	62,2	104	116	92	25	31,5	20,2	136	6,2	0,7
<b>SQP 25</b>	1"	41,4	62,2	104	116	92	25	31,5	20,2	136	6,2	0,7
<b>SQMO 25</b>	1"	41,4	62,2	104	116	92	25	31,5	20,2	78	6,2	0,5
<b>SQM 25</b>	1"	41,4	62,2	104	116	92	25	31,5	20,2	78	6,2	0,5

SQ SQ Series - Ø 1" 1/2



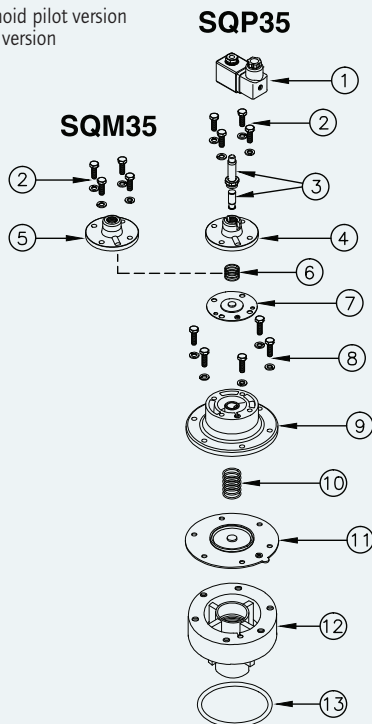
CHARACTERISTICS

<b>Fluid</b>	Filtered and oilfree compressed air
<b>Temperature range</b>	STD diaphragm -20°C; +80°C Viton diaphragm -20°C; +200°C
<b>Operating pressure</b>	min 0,5 bar - max 7,5 bar
<b>Body and cover</b>	Die cast aluminium
<b>Core tube</b>	Stainless steel
<b>Plunger</b>	Stainless steel
<b>Screws</b>	Stainless steel
<b>Coil insulation</b>	Class H
<b>Din's connector</b>	PG 9 EN175301-803
<b>Protection Din's connector + Coil</b>	IP65 EN60529
<b>Standard voltage</b>	24V/50-60Hz (±10%) 19VA 115V/50-60Hz (±10%) 19VA 230V/50-60Hz (±10%) 19VA 24VDC (± 10%) 18 Watt

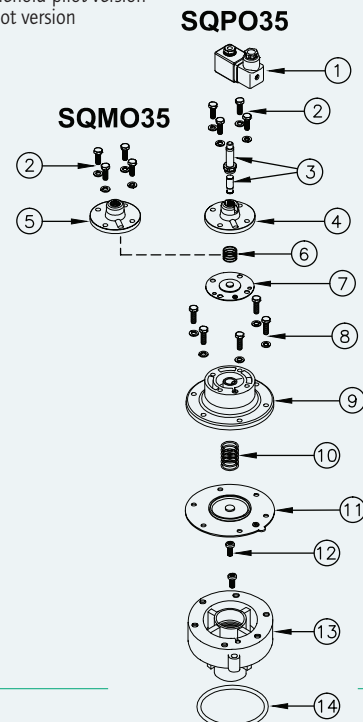
DESCRIPTION	VALVE SQM35/SQP35
1 Coil + Din Connector	BH10...V/50-60Hz
2 Screws + Washers	VTE6x18+TROND6GROWER
3 Pole assembly	GPC10
4 Cover direct drive	TCOP10
5 Remote operated cover	TCOP10FM
6 Spring	TMOL10G
7 Diaphragm	M10
8 Screws + Washers	VTE6x20+TROND6GROWER
9 Cover	TCOP35N
10 Spring	TMOL25GHS
11 Diaphragm	M35
12 Body	TCOR35FMG
13 O-ring	G OR6337

DESCRIPTION	VALVE SQO35/SQPO35
1 Coil + Din Connector	BH10...V/50-60Hz
2 Screws + Washers	VTE6x18+TROND6GROWER
3 Pole assembly	GPC10
4 Cover direct drive	TCOP10
5 Remote operated cover	TCOP10FM
6 Spring	TMOL10G
7 Diaphragm	M10
8 Screws + Washers	VTE6x20+TROND6GROWER
9 Cover	TCOP35N
10 Spring	TMOL25GHS
11 Diaphragm	M35
12 Screws	VTCE18x20
13 Body	TCOR35FMGS
13 O-ring	G OR6337

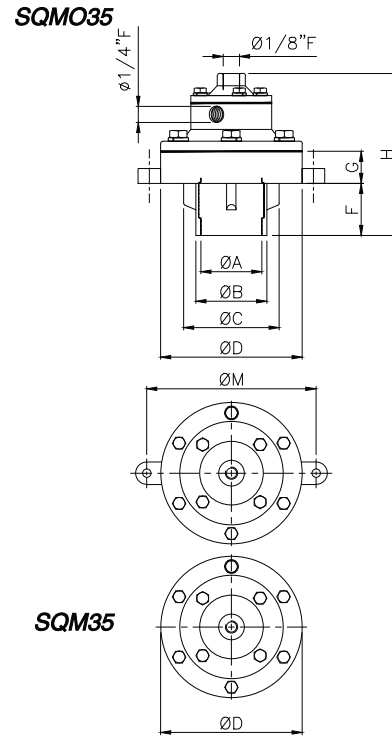
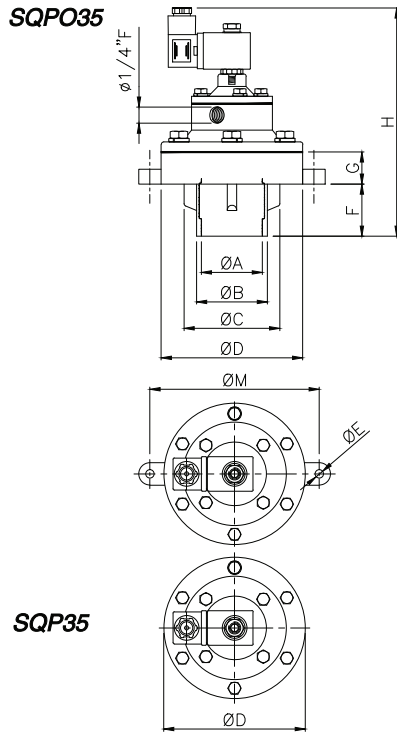
SQP Integral solenoid pilot version  
SQM Remote pilot version



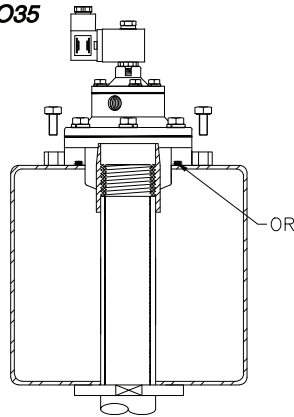
SQPO Integral solenoid pilot version  
SQMO Remote pilot version



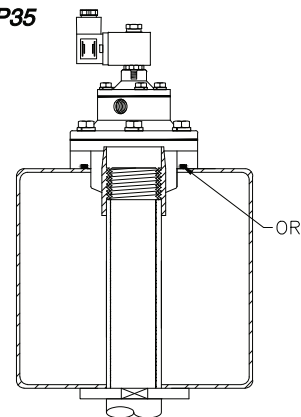
Overall dimensions / SQ Series -  $\varnothing 1\frac{1}{2}$  **SQ**



Mounting **SQPO35**



Mounting **SQP35**



Model	Ø A	Ø B	Ø C	Ø D	Ø E	F	G	H	M	Weight (Kg)
<b>SQP 35</b>	1 $\frac{1}{2}$	57	80,5	114	9	42	26	162	130	1,6
<b>SQPO 25</b>	1 $\frac{1}{2}$	57	80,5	114	9	42	26	162	130	1,6
<b>SQM 35</b>	1 $\frac{1}{2}$	57	80,5	114	9	42	26	104	130	1,4
<b>SQMO 35</b>	1 $\frac{1}{2}$	57	80,5	114	9	42	26	104	130	1,4

# SQ SQ Series - Ø 2" - 2"½ - 3" - 4"



## CHARACTERISTICS

<b>Fluid</b>	Filtered and oilfree compressed air
<b>Temperature range</b>	STD diaphragm -20°C; +80°C Viton diaphragm -20°C; +200°C
<b>Operating pressure</b>	min 0,5 bar - max 7,5 bar
<b>Body and cover</b>	Die cast aluminium
<b>Core tube</b>	Stainless steel
<b>Plunger</b>	Stainless steel
<b>Screws</b>	Stainless steel
<b>Coil insulation</b>	Class H
<b>Din's connector</b>	PG 9 EN175301-803
<b>Protection Din's connector + Coil</b>	IP65 EN60529
<b>Standard voltage</b>	24V/50-60Hz (±10%) 19VA 115V/50-60Hz (±10%) 19VA 230V/50-60Hz (±10%) 19VA 24VDC (± 10%) 18 Watt

DESCRIPTION	VALVE SQM50/ SQP50
1 Coil + Din Connector	BH10...V/50-60Hz
2 Screws + Washers	VTE6x20+TROND6GROWER
3 Pole assembly	GPC10
4 Cover direct drive	TCOP25
5 Remote operated cover	TCOP25FM
6 Diaphragm	M25
6a Spring	TMOL10G
7 Screws + Washers	VTE10x25+TROND10GROWER
8 Cover	TCOP50G
9 Spring	TMOL40
10 Diaphragm	M50
11 Body	TCOR50FG
12 O-ring	G OR133,35x5,3

**SQP** Integral solenoid pilot version  
**SQM** Remote pilot version

DESCRIPTION	VALVE SQM75IN/ SQP75IN
1 Coil + Din Connector	BH10...V/50-60Hz
2 Screws + Washers	VTE6x20+TROND6GROWER
3 Pole assembly	GPC10
4 Cover direct drive	TCOP25
5 Remote operated cover	TCOP25FM
6 Diaphragm	M25
6a Spring	TMOL10G
7 Screws + Washers	VTE10x25+TROND10GROWER
8 Cover	TCOP65G
9 Spring	TMOL40
10 Diaphragm	M76
11 Body	TCOR75FLQ
12 O-ring	G OR177,17x6,99

**SQP** Integral solenoid pilot version  
**SQM** Remote pilot version

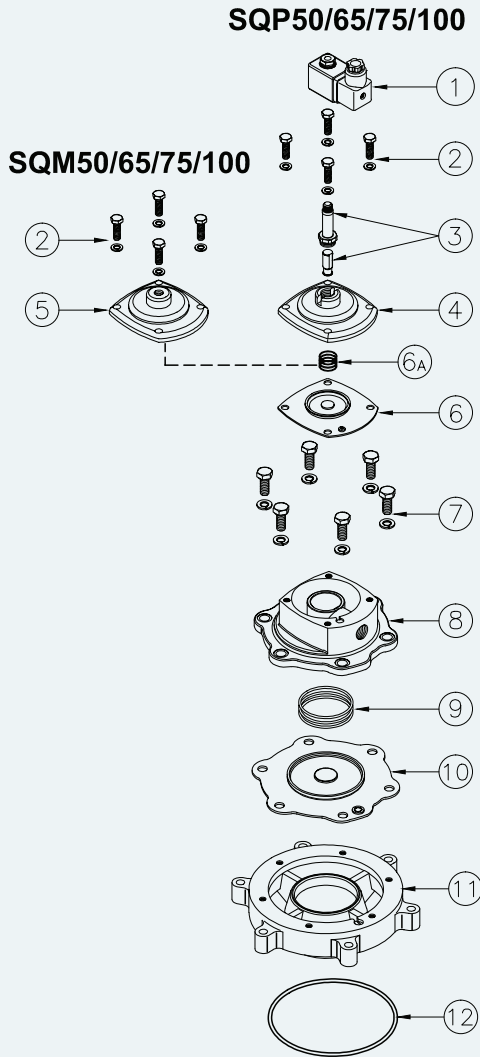
DESCRIPTION	VALVE SQM65IN/ SQP65IN
1 Coil + Din Connector	BH10...V/50-60Hz
2 Screws + Washers	VTE6x20+TROND6GROWER
3 Pole assembly	GPC10
4 Cover direct drive	TCOP25
5 Remote operated cover	TCOP25FM
6 Diaphragm	M25
6a Spring	TMOL10G
7 Screws + Washers	VTE10x25+TROND10GROWER
8 Cover	TCOP65G
9 Spring	TMOL40
10 Diaphragm	M55/LP
11 Body	TCOR65FLQ
12 O-ring	G OR177,17x6,99

**SQP** Integral solenoid pilot version  
**SQM** Remote pilot version

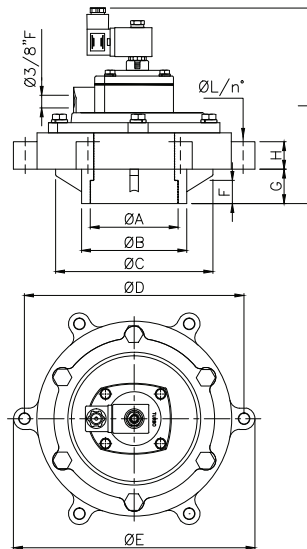
DESCRIPTION	VALVE SQM100IN/ SQP100IN
1 Coil + Din Connector	BH10...V/50-60Hz
2 Screws + Washers	VTE6x20+TROND6GROWER
3 Pole assembly	GPC10
4 Cover direct drive	TCOP25
5 Remote operated cover	TCOP25FM
6 Diaphragm	M25/BW
6a Spring	TMOL10G
7 Screws + Washers	VTE10x25+TROND10GROWER
8 Cover	TCOP65G
9 Spring	TMOL40
10 Diaphragm	M76
11 Body	TCOR100FLQ
12 O-ring	G OR177,17x6,99

**SQP** Integral solenoid pilot version  
**SQM** Remote pilot version

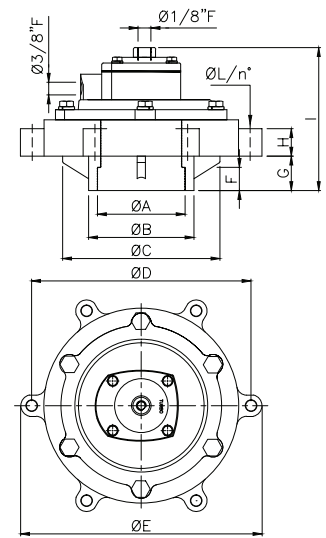
Overall dimensions / SQ Series - Ø 2" - 2"½ - 3" - 4" **SQ**



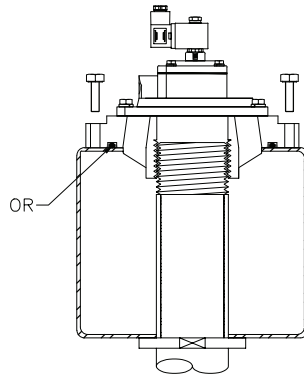
**SQP50/65/75/100**



**SQM50/65/75/100**

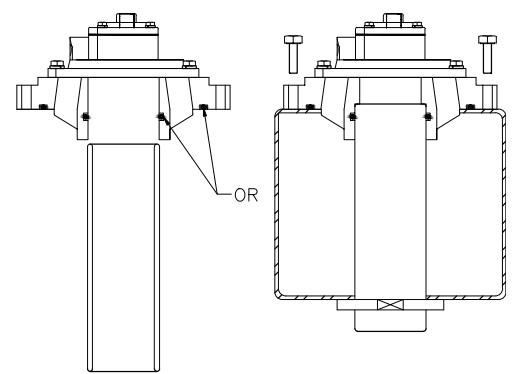


**Mounting**  
**SQP50 / SQM50**



**Mounting**

**SQP65 / SQM65 PUSH IN**  
**SQP75 / SQM75 PUSH IN**  
**SQP100 / SQM100 PUSH IN**



Model	Ø A	Ø B	Ø C	Ø D	Ø E	F	G	H	I	L	Weight (Kg)
<b>SQP 50</b>	2"	83	126	175	195	39	60	20	211	11	2,4
<b>SQP 65IN</b>	2"½	107,5	161	225	247	44	35,5	27	205	11	3,9
<b>SQP 75IN</b>	3"	107,5	161	225	247	50	35,5	27	205	11	3,7
<b>SQP 100IN</b>	4"	119,5	161	225	247	44	35,5	27	205	11	3,8
<b>SQM 50</b>	2"	83	126	175	195	39	60	20	153	11	2,2
<b>SQM 65IN</b>	2"½	107,5	161	225	247	44	35,5	27	147	11	3,7
<b>SQM 75IN</b>	3"	107,5	161	225	247	50	35,5	27	147	11	3,5
<b>SQM 100IN</b>	4"	119,5	161	225	247	44	35,5	27	148	11	3,6