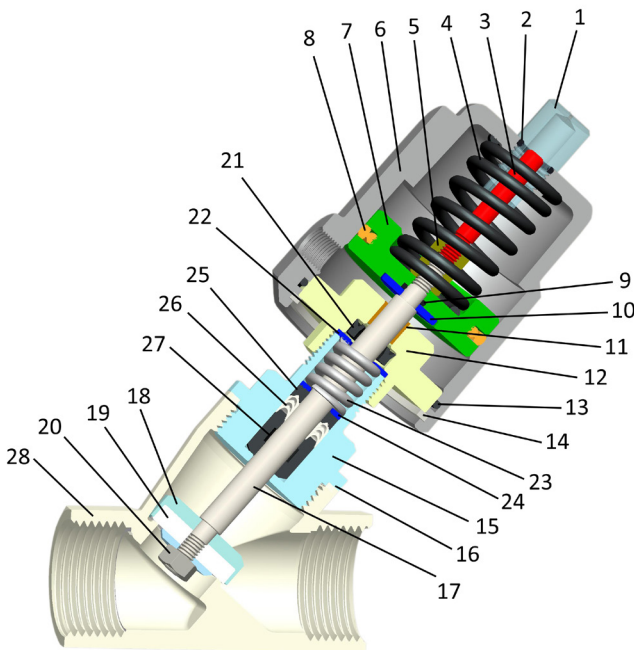


ANGLE SEAT VALVE

Type 3500



MATERIALS



GENERAL

Dimension:	Threaded ends 1/2" to 2" Welded ends DN20, DN40, DN50
Pressure:	PN16
Body materiale:	Stainless steel
Seal materiale:	PTFE
Thread connection:	BSPP
Weld connection:	SMS3008
Work temperature:	-20°C to 180°C (max. 200°C)
Ambient temperature:	-20°C to 80°C
Actuator:	Spring return (NC)

OPTIONS

Dimension:	Threaded ends 3/8", 2 1/2" to 4" Welded ends DN25, DN32
Weld connection:	DIN 11850-2, DIN 11850-3 or ISO 4200
Seat materiale:	EPDM (-10°C to 80°C) PTFE with 25% carbon (-10°C to 220°C)
Actuator:	Spring return (NO) Double acting (NO or NC) Spring return, NC, enter below seat

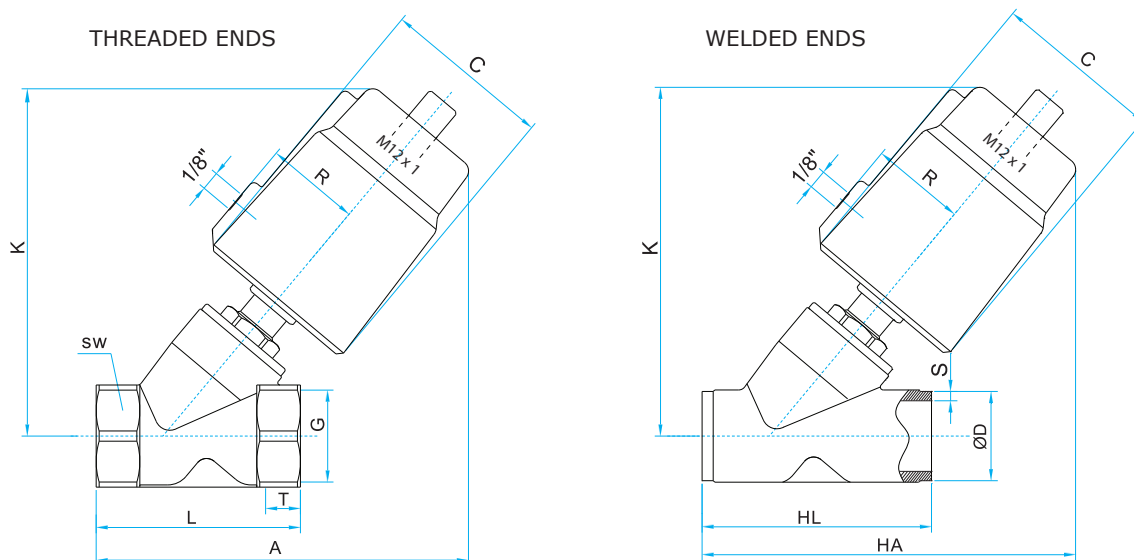
NO.	DESCRIPTION	MATERIAL
1	TOP CAP	PC / STAINLESS STEEL
2	O-RING	NBR
3	INDICATOR ROD	NYLON
4	SPRING	65MN
5	NUT	ALUMINUM
6	CYLINDER	CF8
7	PISTON	ALUMINUM
8	PISTON SEAL	FPM
9	O-RING	NBR
10	WASHER	AISI 304
11	BEARING	COPPER
12	CYLINDER COVER	AISI 304
13	O-RING	NBR
14	SPRING LOCK RING	AISI 304
15	CONNECTOR	CF8M
16	BODY SEAL	PTFE
17	VALVE ROD	AISI 316
18	VALVE CORE	CF8M
19	SEAT	PTFE
20	HEX NUT	AISI 316
21	SEAL	FPM
22	WASHER	AISI 304
23	SPRING	AISI 304
24	WASHER	AISI 304
25	VALVE ROD SEAL I	PTFE + CARBON
26	VALVE ROD SEAL II	PTFE
27	VALVE ROD SEAL III	PTFE + CARBON
28	VALVE BODY	CF8M

DESCRIPTION

- **Maintenance free** and easy installation.
- **Low energy consumption.**
- **Long service life** due to the construction.
- **ATEX and CE certificates** are supplied.
- **Low resistance, no water hammering.**
- **Threaded ends and welded ends** BSPP, SMS3008, DIN 11850-2, DIN 11850-3 and ISO 4200.
- **Various applications** such as construction, textile, medical, foodstuffs, chemical and disinfecting.
- **Suitable for medias** such as water, natural gas, steam (max. 180°C) as well as mildly corrosive gases and liquids.

DS-3500-UK-06-2015-REV. C
We reserve the right for changes.

DIMENSIONS



THREADED ENDS

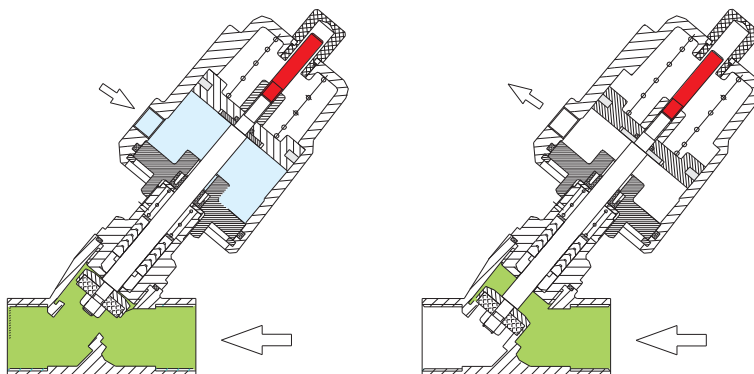
Dim	Actuator [mm]	A [mm]	C [mm]	G [inch]	K [mm]	L [mm]	SW [mm]	R [mm]	T [mm]
1/2"	50	131	60.0	1/2"	124	68	27	33	15
3/4"	50	136	60.0	3/4"	128	75	32	33	16
1"	50 63	145 169	60.0 75.0	1"	136 162	90	40	33 41	17
1 1/4"	63	187	75.0	1 1/4"	174	116	50	41	21
1 1/2"	63	187	75.0	1 1/2"	175	116	56	41	21
2"	63	201	75.0	2"	183	138	69	41	22

WELDED ENDS

Dim	Actuator [mm]	HA [mm]	C [mm]	ØD	K [mm]	HL [mm]	S	R [mm]
DN20	50	142	60.0	25.0	128	95	1.2	33
DN40	63	206	75.0	38.0	175	160	1.2	41
DN50	63	224	75.0	51.0	183	175	1.2	41

VALVE DATA

Dim	Actuator [mm]	Bore	Kv-value [m³/h]	Max. pressure ΔP [bar]		Min. control pressure [bar]	Weight [kg]
				above seat	max. back pressure		
1/2"	50	13	4.7	16	14	3.0	1.02
3/4"	50	18	9.5	16	7	3.0	1.12
1"	50 63	24	18.1	16	1 5	3.0 3.0 - 4.5	1.47 2.07
1 1/4"	63	31	23.1	16	1	3.0 - 4.5	2.68
1 1/2"	63	35	32.9	16	1	3.0 - 4.5	2.81
2"	63 90	45	52.8	12	not available 16	3.0 2.5	3.80 5.36



SPRING RETURN, NC, FLOW ABOVE SEAT